



PIAGGIO & C.s.p.a.



SPARE PARTS CATALOGUE



California EV/EV Touring/80 1100 2001-2002

Chassis prefix: ZGUKD

Engine prefix:

CALIFORNIA

GU010



Index

Products.....	4
Part reference.....	11
FRAME.....	18
Drawing 33.01 - Battery.....	18
Drawing 33.02 - 40 L top box.....	20
Drawing 33.03 - 45 L top box.....	21
Drawing 33.04 - Side cases.....	22
Drawing 33.05 - Protection.....	23
Drawing 33.06 - Stands.....	24
Drawing 33.07 - Transmission complete.....	26
Drawing 33.08 - Dashboard.....	28
Drawing 33.09 - Windshield.....	30
Drawing 33.10 - Headlight.....	31
Drawing 33.11 - Taillight.....	33
Drawing 33.12 - Air filter.....	35
Drawing 33.13 - Front fork.....	36
Drawing 33.14 - Swing arm.....	39
Drawing 33.15 - Electrical system.....	40
Drawing 33.16 - Front brake system.....	42
Drawing 33.17 - Leather side cases.....	44
Drawing 33.18 - Frau leather side cases.....	45
Drawing 33.19 - Handlebar - Controls.....	46
Drawing 33.20 - Windscreen.....	48
Drawing 33.21 - Front mudguard.....	49
Drawing 33.22 - Rear mudguard.....	50
Drawing 33.23 - Foot rests.....	51
Drawing 33.24 - Rear brake caliper.....	53
Drawing 33.25 - Front master cilinder.....	54
Drawing 33.26 - Rear master cylinder.....	55
Drawing 33.27 - Luggage rack.....	57
Drawing 33.28 - Front wheel.....	58
Drawing 33.29 - Rear wheel.....	59
Drawing 33.30 - Saddle.....	60
Drawing 33.31 - Fuel tank.....	62
Drawing 33.32 - Fuel tank, USA-CDN-SGP.....	64
Drawing 33.33 - F.fork-R.shock absorber.....	66
Drawing 33.34 - Frame.....	67
Drawing 33.45 - Exhaust unit.....	69
Drawing 33.47 - Gear lever.....	70
ENGINE.....	71
Drawing 34.35 - Drive shaft.....	71
Drawing 34.36 - Driven shaft.....	72
Drawing 34.37 - Supply (Carburettor).....	74



Drawing 34.38 - Gear box.....	75
Drawing 34.39 - Crankcase.....	76
Drawing 34.40 - Starter motor cover.....	78
Drawing 34.41 - Throttle body.....	79
Drawing 34.42 - Timing system.....	80
Drawing 34.43 - Clutch.....	81
Drawing 34.44 - Generator - Regulator.....	82
Drawing 34.46 - Starter motor.....	83
Drawing 34.48 - Oil pump.....	84
Drawing 34.49 - Transmission cage.....	86
Drawing 34.50 - Heads.....	88



Products

Code	Validity
9032533US202UNC	
9032534US401UNC	
9032534US402UNC	
9032534US403UNC	
9032534US404UNC	
9032534US405UNC	
903253705221UNC	
9032542US401AUNC	
9032543US402UNC	
903257405108UNC	
9032583US202UNC	
GU900056301101	
GU900056301701	
GU900056301902	
GU900056305101	
GU900056305102	
GU900056305115	
GU900056305701	
GU900056305702	
GU900056305705	
GU900056305710	
GU900056305717	
GU900056321102	
GU900056321115	
GU9032174US701	
GU9032211US503	
GU9032529EU301	
GU9032533US201	
GU9032533US202	
GU9032533US401	
GU9032533US402	
GU9032533US403	
GU9032534US202	
GU9032534US203	
GU9032534US401	
GU9032534US402	
GU9032534US403	
GU9032534US404	
GU9032534US405	
GU903253501201	
GU903253501208	
GU903253501221	



Code	Validity
GU903253505201	
GU903253505208	
GU903253505221	
GU903253506201	
GU903253506208	
GU903253506221	
GU903253508201	
GU903253509208	
GU9032536AU201	
GU9032536AU202	
GU9032536AU203	
GU9032536AU304	
GU9032536AU305	
GU9032536EU201	
GU9032536EU202	
GU9032536EU203	
GU9032536EU304	
GU9032536EU305	
GU9032536GB201	
GU9032536GB202	
GU9032536GB203	
GU9032536GB304	
GU9032536GB305	
GU9032536JP201	
GU9032536JP202	
GU9032536JP203	
GU903253701221	
GU903253705221	
GU903253706221	
GU903253707221	
GU903253708221	
GU903253709221	
GU9032538AU201	
GU9032538AU202	
GU9032538AU203	
GU9032538AU304	
GU9032538EU201	
GU9032538EU202	
GU9032538EU203	
GU9032538EU304	
GU9032538EU305	
GU9032538GB201	
GU9032538GB202	
GU9032538GB203	
GU9032538GB304	



Code	Validity
GU9032538GB305	
GU9032538JP201	
GU9032538JP202	
GU9032538JP203	
GU9032538JP305	
GU9032538NZ202	
GU9032542US201	
GU9032542US203	
GU9032542US401	
GU9032542US402	
GU9032542US403	
GU9032543US202	
GU9032543US203	
GU9032543US402	
GU9032543US403	
GU903254505208	
GU903254505215	
GU903254505219	
GU903254505221	
GU9032546AU201	
GU9032546AU202	
GU9032546AU203	
GU9032546EU201	
GU9032546EU202	
GU9032546EU203	
GU9032546GB201	
GU9032546GB202	
GU9032546GB203	
GU9032546JP201	
GU9032546JP202	
GU9032546JP203	
GU9032546NZ201	
GU9032547AU202	
GU9032547AU203	
GU9032547EU202	
GU9032547EU203	
GU9032547GB202	
GU9032547GB203	
GU9032547JP202	
GU9032547JP203	
GU9032547NZ202	
GU9032547NZ203	
GU903254805205	
GU903254805226	
GU903255601203	



Code	Validity
GU903255601222	
GU903255605203	
GU903255605222	
GU903255608203	
GU903255608222	
GU903256401906	
GU903256601802	
GU903256601805	
GU903256601808	
GU903256601905	
GU903256601908	
GU903256601909	
GU903256605802	
GU903256605805	
GU903256605808	
GU903256605809	
GU903256605820	
GU903256605905	
GU903256605908	
GU903256621905	
GU903256621908	
GU903256701805	
GU903256701815	
GU903256705801	
GU903256705805	
GU903256705815	
GU903256705821	
GU903256721801	
GU903256721805	
GU903256721815	
GU903256721821	
GU903257201108	
GU903257201115	
GU903257201119	
GU903257201121	
GU903257205115	
GU903257221108	
GU903257221115	
GU903257301103	
GU903257301122	
GU903257305103	
GU903257305122	
GU903257401108	
GU903257401115	
GU903257401121	



Code	Validity
GU903257401123	
GU903257405108	
GU903257405121	
GU903257405123	
GU903257421108	
GU903257421121	
GU903257421123	
GU903258105227	
GU9032582AU202	
GU9032582EU201	
GU9032582EU202	
GU9032582GB201	
GU9032582GB202	
GU9032582JP201	
GU9032582JP202	
GU9032582NZ202	
GU9032583EU701	
GU9032583US201	
GU9032583US202	
GU9032583US402	
GU9032584AU601	
GU9032584CA701	
GU9032584CA801	
GU9032584CA901	
GU9032584CA902	
GU9032584EU601	
GU9032584EU801	
GU9032584EU802	
GU9032584GB601	
GU9032584GB801	
GU9032584JP601	
GU9032584JP801	
GU9032584JP802	
GU9032584US701	
GU9032584US801	
GU9032584US901	
GU9032584US902	
GU9032585AU601	
GU9032585AU602	
GU9032585AU603	
GU9032585AU704	
GU9032585EU601	
GU9032585EU602	
GU9032585EU603	
GU9032585EU704	



Code	Validity
GU9032585GB601	
GU9032585GB602	
GU9032585GB704	
GU9032585JP601	
GU9032585JP602	
GU9032586AU601	
GU9032586AU602	
GU9032586EU601	
GU9032586EU602	
GU9032586EU603	
GU9032586GB601	
GU9032586GB602	
GU9032586GB603	
GU9032586JP601	
GU9032586JP602	
GU903259101205	
GU903259101226	
GU903259106205	
GU903259106226	
GU903259107205	
GU903259107226	
GU903259109226	
GU903259301123	
GU903259305123	
GU903259306123	
GU903259307123	
GU903259308123	
GU903259321123	
GU903259401127	
GU903259405127	
GU903259406127	
GU903259407127	
GU903259408127	
GU903259409127	
GU903259501105	
GU903259501126	
GU903259505126	
GU903259601121	
GU903259701208	
GU903259701215	
GU903259701219	
GU903259701221	
GU903259705208	
GU903259705215	
GU903259705219	



Code	Validity
GU903259705221	
GU903259706208	
GU903259706215	
GU903259706219	
GU903259706221	
GU903259707215	
GU903259707219	
GU903259708208	
GU903259708215	
GU903259708219	
GU903259708221	
GU903259709208	
GU903259709215	
GU903259801203	
GU903259801222	
GU903259805203	
GU903259805222	
GU903259807203	
GU903259821203	
GU903259821222	
GU9032700US602	



Code	Drawing Nr.	Pos.	Code	Drawing Nr.	Pos.	Code	Drawing Nr.	Pos.
GU00155930171	33.22	3	GU02761500	33.08	1	GU03116745	33.01	32
GU00823931055	33.23	41	GU02761900	33.08	15	GU03117545	33.19	6
GU00823931055	33.30	22	GU02762000	33.08	14	GU03120960	33.45	1
GU00823931055	33.31	28	GU02762301	33.08	13	GU03120961	33.45	2
GU00823931080	33.34	17	GU02762400	33.08	1	GU03122900	33.45	15
GU00823931080	34.40	3	GU02762800	33.08	3	GU03123000	33.45	10
GU00823944050	33.01	29	GU02763000	33.08	10	GU03123400	33.45	17
GU00823944050	33.12	17	GU02763400	33.08	32	GU03123900	33.45	8
GU00823950050	33.26	11	GU02764000	33.08	12	GU03128600	33.45	11
GU00823952080	34.37	15	GU02766200	33.08	26	GU03128700	33.45	16
GU00823956050	33.32	6	GU02766300	33.08	31	GU03132845	33.19	14
GU00823956060	33.32	5	GU02766500	33.08	39	GU03158200	34.48	12
GU00823956080	33.12	12	GU02767200	33.08	9	GU03163330	33.15	35
GU00823956080	33.32	7	GU02768200	33.08	28	GU03200260	34.49	1
GU00823956080	34.48	30	GU02768400	33.08	29	GU03200860	34.49	11
GU00823956080	34.49	28	GU02768600	33.08	7	GU03211160	34.38	8
GU00979726	33.04	14	GU02781101	33.08	30	GU03211260	34.38	9
GU01007200	34.48	31	GU03000760	34.39	1	GU03211660	34.38	11
GU01051700	34.42	8	GU03001460	34.39	15	GU03212000	34.38	17
GU01054000	34.42	5	GU03001600	34.39	21	GU03214500	34.36	13
GU01054500	34.42	9	GU03003561	34.39	26	GU03214800	34.36	11
GU01061531	34.35	14	GU03013800	33.01	7	GU03215100	34.36	5
GU01062230	34.35	15	GU03013800	33.06	2	GU03234400	34.36	20
GU01112800	34.37	18	GU03013800	33.12	7	GU03256800	33.47	11
GU01112900	34.37	17	GU03013800	33.15	10	GU03257600	33.47	9
GU01116031	33.32	10	GU03013800	33.16	13	GU03257800	33.47	20
GU01121030	33.45	5	GU03013800	33.23	22	GU03258250	33.47	21
GU01153602	34.48	23	GU03013800	33.26	29	GU03259100	33.26	26
GU01474630	33.11	18	GU03013800	33.29	17	GU03259100	33.47	24
GU01517700	33.33	21	GU03013800	33.33	14	GU03270300	33.06	30
GU01517700	34.40	2	GU03013800	33.34	18	GU03270300	33.23	25
GU01528930	33.07	9	GU03013800	33.47	8	GU03270300	33.26	25
GU01528930	34.49	26	GU03013800	34.37	5	GU03270300	33.33	20
GU01530500	34.41	3	GU03022130	34.50	1	GU03270300	33.34	9
GU01530504	34.41	2	GU03023530	34.50	36	GU03270300	33.47	23
GU01609630	33.19	11	GU03036000	34.50	6	GU03270300	34.39	13
GU01652230	33.16	1	GU03036100	34.50	5	GU03270300	34.42	19
GU01652330	33.25	16	GU03060130	34.35	1	GU03328050	33.14	12
GU01654630	33.16	33	GU03060230	34.35	3	GU03336810	33.29	12
GU01654630	33.25	20	GU03067030	34.35	20	GU03400150	33.34	1
GU01659130	33.16	6	GU03084400	34.43	3	GU03420300	33.23	1
GU01659130	33.25	22	GU03093045	33.19	21	GU03422100	33.23	2
GU01659131	33.16	31	GU03100200	33.31	1	GU03429500	33.23	12
GU01659131	33.25	23	GU03100211	33.31	1	GU03429600	33.06	12
GU01659230	33.16	5	GU03100212	33.31	1	GU03430250	33.06	39
GU01659230	33.25	21	GU03100213	33.31	1	GU03430310	33.06	1
GU01721600	33.15	16	GU03100214	33.32	1	GU03432060	33.06	3
GU01722700	33.15	20	GU03100215	33.32	1	GU03432740	33.06	22
GU01722701	33.15	20	GU03100216	33.32	1	GU03433400	33.06	9
GU01722702	33.15	20	GU03100220	33.32	1	GU03433850	33.06	25
GU01722703	33.15	20	GU03101600	33.31	9	GU03434011	33.06	6
GU01722704	33.15	20	GU03101720	33.31	10	GU03434300	33.21	1
GU01722705	33.15	20	GU03101900	33.31	6	GU03434311	33.21	1
GU01732530	33.01	21	GU03102200	33.31	8	GU03434313	33.21	1
GU01732530	33.15	3	GU03102400	33.31	7	GU03434360	33.21	1
GU01756100	33.10	3	GU03103000	33.31	18	GU03435200	33.21	2
GU01756220	33.10	6	GU03103200	33.31	11	GU03435300	33.21	5
GU01760400	33.08	4	GU03103500	33.31	29	GU03435400	33.21	3
GU01766031	33.08	18	GU03103920	33.32	2	GU03435500	33.21	6
GU01782500	33.08	6	GU03103950	33.31	5	GU03436300	33.21	9
GU02517700	34.39	18	GU03105300	33.31	17	GU03436300	34.40	6
GU02740400	33.10	23	GU03106400	33.31	4	GU03436400	33.21	7
GU02740458	33.10	24	GU03106500	34.37	7	GU03436500	33.21	8
GU02740501	33.10	1	GU03107630	34.37	26	GU03436600	33.21	12
GU02740505	33.10	1	GU03112560	34.41	1	GU03437110	33.22	1
GU02746900	33.10	2	GU03113360	34.41	18	GU03437111	33.22	1
GU02747901	33.01	11	GU03113460	34.41	19	GU03437112	33.22	1



Code	Drawing Nr.	Pos.	Code	Drawing Nr.	Pos.	Code	Drawing Nr.	Pos.
GU03437113	33.22	1	GU03486515	33.18	3	GU03530542	33.20	7
GU03437430	33.22	6	GU03486550	33.04	6	GU03530543	33.20	12
GU03438030	33.22	10	GU03486555	33.17	5	GU03530544	33.20	3
GU03438830	33.11	23	GU03486715	33.18	8	GU03530545	33.20	15
GU03438831	33.11	24	GU03486915	33.18	7	GU03530544	33.20	6
GU03442200	33.23	24	GU03487500	33.02	1	GU03530545	33.20	14
GU03443510	33.23	15	GU03487501	33.03	1	GU03530545	33.20	5
GU03443915	33.05	3	GU03487530	33.17	8	GU03530546	33.20	13
GU03444015	33.05	4	GU03487600	33.03	2	GU03530546	33.20	4
GU03446010	33.23	17	GU03487636	33.17	9	GU03531000	33.33	8
GU03446930	33.23	3	GU03487802	33.02	5	GU03531800	33.33	7
GU03447410	33.23	4	GU03487802	33.03	5	GU03540250	33.14	1
GU03460510	33.30	1	GU03487802	33.17	11	GU03541850	33.33	16
GU03460515	33.30	2	GU03488000	33.03	8	GU03547800	33.14	4
GU03460525	33.30	2	GU03490210	33.33	1	GU03550210	33.33	15
GU03462345	33.34	24	GU03490601	33.13	52	GU03555250	33.07	34
GU03462801	33.30	14	GU03490701	33.13	53	GU03573815	33.09	15
GU03462801	33.31	25	GU03493100	33.13	7	GU03574115	33.09	16
GU03464010	33.30	3	GU03494000	33.13	11	GU03575100	33.20	1
GU03466511	33.27	1	GU03496100	33.10	8	GU03575101	33.20	1
GU03466515	33.27	1	GU03496130	33.10	8	GU03575102	33.20	10
GU03466910	33.30	12	GU03496200	33.10	11	GU03575415	33.09	1
GU03467310	33.30	11	GU03496230	33.10	11	GU03575416	33.09	1
GU03467410	33.30	23	GU03498100	33.13	8	GU03575426	33.09	1
GU03467411	33.30	24	GU03500260	33.13	4	GU03575515	33.09	3
GU03468010	33.27	2	GU03500660	33.13	2	GU03577210	33.09	2
GU03468015	33.27	2	GU03522501001	33.13	39	GU03578515	33.09	9
GU03468100	33.27	7	GU03522601001	33.13	43	GU03578615	33.09	10
GU03468210	33.27	6	GU03525400	33.13	19	GU03578730	33.22	15
GU03468215	33.27	6	GU03526600	33.13	18	GU03586615	33.05	1
GU03469200	33.34	12	GU03530503	33.13	9	GU03586616	33.05	1
GU03471801	33.30	19	GU03530504	33.13	12	GU03586626	33.05	1
GU03471810	33.30	16	GU03530505	33.13	13	GU03586715	33.05	2
GU03472400	33.31	22	GU03530506	33.13	14	GU03586716	33.05	2
GU03472900	33.31	23	GU03530507	33.13	15	GU03586726	33.05	2
GU03474530	33.11	19	GU03530508	33.13	16	GU03600310	33.19	1
GU03475330	33.11	25	GU03530509	33.13	17	GU03602760	33.19	24
GU03475811	33.11	1	GU03530510	33.13	20	GU03602915	33.19	10
GU03475813	33.11	1	GU03530511	33.13	21	GU03603060	33.19	10
GU03475830	33.11	1	GU03530512	33.13	22	GU03603315	33.19	4
GU03475860	33.11	1	GU03530513	33.13	23	GU03603560	33.19	4
GU03475931	33.11	2	GU03530514	33.13	24	GU03603860	33.19	2
GU03476206	33.30	4	GU03530515	33.13	25	GU03604245	33.19	9
GU03476212	33.30	4	GU03530516	33.13	27	GU03604845	33.25	5
GU03476213	33.30	4	GU03530517	33.13	28	GU03605545	33.19	16
GU03476214	33.30	4	GU03530519	33.13	29	GU03605645	33.25	2
GU03476306	33.30	8	GU03530520	33.13	30	GU03610310	33.28	1
GU03476312	33.30	8	GU03530521	33.13	31	GU03610810	33.28	14
GU03476313	33.30	8	GU03530522	33.13	32	GU03611445	33.28	8
GU03476314	33.30	8	GU03530523	33.13	33	GU03611610	33.28	5
GU03479545	33.34	20	GU03530524	33.13	34	GU03611710	33.28	6
GU03480050	33.04	1	GU03530525	33.13	35	GU03611710	33.29	8
GU03480051	33.04	1	GU03530526	33.13	36	GU03614101	33.28	9
GU03480058	33.17	1	GU03530527	33.13	37	GU03615210	33.28	4
GU03482000	33.03	3	GU03530528	33.13	38	GU03616300	33.28	10
GU03482000	33.04	4	GU03530529	33.13	41	GU03617710	33.28	2
GU03482001	33.02	3	GU03530530	33.13	42	GU03617710	33.29	2
GU03482515	33.18	1	GU03530531	33.13	44	GU03630610	33.29	1
GU03482536	33.17	2	GU03530532	33.13	45	GU03631411	33.29	5
GU03484000	33.04	12	GU03530533	33.13	46	GU03633350	33.29	11
GU03484001	33.04	13	GU03530534	33.13	47	GU03634010	33.29	4
GU03485015	33.18	4	GU03530535	33.13	48	GU03634110	33.29	19
GU03485050	33.04	5	GU03530536	33.13	48	GU03635700	33.29	9
GU03485055	33.17	4	GU03530537	33.13	48	GU03635810	33.24	6
GU03485715	33.18	2	GU03530538	33.13	49	GU03636110	33.29	7
GU03485736	33.17	3	GU03530539	33.13	50	GU03653001	33.24	1
GU03486315	33.18	10	GU03530540	33.13	51	GU03654600	33.24	2



Code	Drawing Nr.	Pos.	Code	Drawing Nr.	Pos.	Code	Drawing Nr.	Pos.
GU03656200	33.16	20	GU03917541	33.31	33	GU13037200	34.50	8
GU03657101	33.25	13	GU03917542	33.31	33	GU13037400	34.50	11
GU03657500	33.24	7	GU03917810	33.31	2	GU13037600	34.50	12
GU03658201	33.16	9	GU03917841	33.31	2	GU13084100	34.43	1
GU03658201	33.25	15	GU03917844	33.31	2	GU13148300	34.48	2
GU03658330	33.16	8	GU03917910	33.31	3	GU13432640	33.26	27
GU03658430	33.25	14	GU03917941	33.31	3	GU13432640	33.47	3
GU03658500	33.26	14	GU03917944	33.31	3	GU13433440	33.06	21
GU03658801	33.16	7	GU03922010	33.30	9	GU14003600	34.39	24
GU03659700	33.25	6	GU03922011	33.30	9	GU14011900	34.39	10
GU03660145	33.25	1	GU03922012	33.30	9	GU14011901	34.39	10
GU03661145	33.25	10	GU03923911	33.31	30	GU14018400	34.50	24
GU03664045	33.25	3	GU03923912	33.31	30	GU14020865	34.35	10
GU03667300	33.16	25	GU03923913	33.31	30	GU14023760	34.50	38
GU03668200	33.16	21	GU03923914	33.31	21	GU14030201	34.50	25
GU03668500	33.16	18	GU03923915	33.31	21	GU14030401	34.50	26
GU03668801	33.16	24	GU03923916	33.31	21	GU14034865	34.50	22
GU03668900	33.16	26	GU03941000	34.50	37	GU14036860	34.50	4
GU03669000	33.19	26	GU03945450	33.30	10	GU14037300	34.50	9
GU03669001	33.19	27	GU03991010	34.39	35	GU14038000	34.50	13
GU03675900	33.26	21	GU03991560	34.49	20	GU14072001	34.42	12
GU03704540	33.01	26	GU03995730	33.31	31	GU14085700	34.43	6
GU03704550	33.01	18	GU04211500	34.38	10	GU14085900	34.43	7
GU03705540	33.01	28	GU10032700	34.50	32	GU14086000	34.43	8
GU03707140	33.01	9	GU10034100	34.50	29	GU14086100	34.43	10
GU03717450	33.15	14	GU12001200	34.39	14	GU14090202	34.43	12
GU03718350	33.15	12	GU12003702	34.39	29	GU14090400	34.43	14
GU03725830	33.15	1	GU12003900	34.39	2	GU14103400	33.45	22
GU03729230	33.15	5	GU12006400	33.24	11	GU14152200	34.48	8
GU03729531	33.15	2	GU12006400	34.37	22	GU14201110	34.49	10
GU03733000	34.40	7	GU12006400	34.48	21	GU14204955	34.49	27
GU03733200	34.40	10	GU12007600	34.48	34	GU14210513	34.38	14
GU03733300	34.40	1	GU12011400	34.39	37	GU14210702	34.38	5
GU03733400	34.40	8	GU12011401	34.39	37	GU14212210	34.38	21
GU03733500	34.40	9	GU12011402	34.39	37	GU14213001	34.36	12
GU03736815	33.31	19	GU12011403	34.39	37	GU14213612	34.36	1
GU03736820	33.32	11	GU12011700	34.39	38	GU14213803	34.49	4
GU03736850	33.31	19	GU12011800	34.39	36	GU14215213	34.36	17
GU03738045	33.19	8	GU12012200	34.39	11	GU14215400	34.36	4
GU03738500	33.15	38	GU12018900	34.39	6	GU14217300	34.36	16
GU03738845	33.19	5	GU12021700	34.35	13	GU14217410	34.36	2
GU03738846	33.19	5	GU12021800	34.35	12	GU14217901	33.26	3
GU03740431	33.10	23	GU12022600	33.07	6	GU14217901	34.41	11
GU03740531	33.10	1	GU12022600	34.49	23	GU14217901	34.44	18
GU03740930	33.11	10	GU12022600	34.50	15	GU14217901	34.49	6
GU03741230	33.11	13	GU12031800	34.50	33	GU14218011	34.36	10
GU03742030	33.11	15	GU12038100	34.50	14	GU14218401	34.38	7
GU03747150	33.01	1	GU12067701	34.35	21	GU14219310	34.36	14
GU03747200	33.01	2	GU12082300	34.43	4	GU14219401	34.38	13
GU03747200	33.08	22	GU12082800	34.43	5	GU14230501	34.36	26
GU03748440	33.01	8	GU12082901	34.43	2	GU14231201	34.36	27
GU03749845	33.25	7	GU12087001	34.43	9	GU14232400	34.36	25
GU03750600	33.10	14	GU12154200	34.48	25	GU14232512	34.36	9
GU03750601	33.10	15	GU12154200	34.49	18	GU14234300	34.36	23
GU03751630	33.10	15	GU12157800	34.48	32	GU14234600	34.36	24
GU03751630	33.11	3	GU12157900	34.37	16	GU14234600	34.42	4
GU03751631	33.10	14	GU12211700	34.38	12	GU14235500	34.36	21
GU03751631	33.11	7	GU12327700	33.14	15	GU14237800	34.49	14
GU03753130	33.01	10	GU12351100	33.07	11	GU14335303	33.29	15
GU03753130	33.11	28	GU12355202	33.07	18	GU14429900	33.06	37
GU03758411	33.11	16	GU12355203	33.07	18	GU14432900	33.06	4
GU03758413	33.11	16	GU12356300	33.07	30	GU14433200	33.06	5
GU03758460	33.11	16	GU12547200	33.14	5	GU14433400	34.42	10
GU03759150	33.06	29	GU12717600	34.48	22	GU14433500	33.06	10
GU03769400	33.19	23	GU13021900	34.50	17	GU14434000	33.06	18
GU03900010	33.34	39	GU13036801	34.50	3	GU14439800	33.10	9
GU03909900	33.34	38	GU13037000	34.50	10	GU14516700	33.33	4



Code	Drawing Nr.	Pos.	Code	Drawing Nr.	Pos.	Code	Drawing Nr.	Pos.
GU14517000	33.33	5	GU19355323	33.07	19	GU29530562	34.41	4
GU14609650	33.01	25	GU19355324	33.07	19	GU29577860	33.05	10
GU14609650	33.16	15	GU19355325	33.07	19	GU29577860	33.09	11
GU14615901	33.01	33	GU19355326	33.07	19	GU29704060	34.44	15
GU14615901	33.07	21	GU19355327	33.07	19	GU29711460	34.44	5
GU14615901	33.07	31	GU19355328	33.07	19	GU29711960	34.44	11
GU14615901	33.07	4	GU19355329	33.07	19	GU29722760	33.15	20
GU14615901	33.26	6	GU19357660	33.07	20	GU29729461	33.15	34
GU14615901	33.45	6	GU19707100	33.01	37	GU30003800	34.48	39
GU14615901	34.35	22	GU23440710	33.23	16	GU30004910	34.39	31
GU14615901	34.44	17	GU23441210	33.23	20	GU30022060	34.50	20
GU14616150	33.28	13	GU23441810	33.23	18	GU30022260	34.50	2
GU14616150	33.29	22	GU23443210	33.23	19	GU30057810	34.42	17
GU14717600	33.15	13	GU23768310	33.08	2	GU30060660	34.35	4
GU14769470	33.19	12	GU23943410	33.13	56	GU30060760	34.35	5
GU14769870	33.19	25	GU25656100	33.16	19	GU30060960	34.35	6
GU14781570	33.11	29	GU25656100	33.24	9	GU30061060	34.35	7
GU14781670	33.10	22	GU25656100	33.25	12	GU30061241	34.35	8
GU14781870	33.11	30	GU25656100	33.26	16	GU30081810	34.38	3
GU17034050	34.50	28	GU25656102	34.48	26	GU30105200	34.37	20
GU17045860	34.42	2	GU27135215	33.19	13	GU30106170	34.37	9
GU17067900	34.35	23	GU27530503	33.13	6	GU30106800	34.37	10
GU17335950	33.29	16	GU27530505	33.13	5	GU30109330	33.45	4
GU17335950	33.34	28	GU27530594	33.19	3	GU30113460	33.12	3
GU17350400	33.07	23	GU27530595	33.19	7	GU30113600	33.12	2
GU17350700	33.07	24	GU27604315	33.19	19	GU30114060	33.12	1
GU17351400	33.07	28	GU27663815	33.19	22	GU30114370	34.41	7
GU17355400	33.07	25	GU28058060	34.42	16	GU30114470	34.41	5
GU17355402	33.07	25	GU28115560	34.41	17	GU30114560	33.12	9
GU17355404	33.07	25	GU28150560	34.48	38	GU30114660	33.12	8
GU17355406	33.07	25	GU28153960	34.48	36	GU30115070	34.41	8
GU17355408	33.07	25	GU28157450	34.48	27	GU30115071	34.41	9
GU17355410	33.07	25	GU28157850	34.48	28	GU30115220	33.32	12
GU17355412	33.07	25	GU28157950	33.12	21	GU30123430	33.45	9
GU17444250	33.23	29	GU28157950	34.37	23	GU30146400	34.48	1
GU17451750	33.34	11	GU28217350	34.36	29	GU30147700	34.48	4
GU17530260	33.33	9	GU28234700	34.49	30	GU30150900	34.48	14
GU17656850	33.26	17	GU28236260	34.36	32	GU30153000	34.48	11
GU17659650	33.16	17	GU28238261	34.36	33	GU30158701	34.48	13
GU17750520	33.01	23	GU28576590	33.01	5	GU30158800	34.48	18
GU17751200	33.01	24	GU28576591	33.30	17	GU30159000	34.48	20
GU17762200	33.08	16	GU28707050	33.01	27	GU30214225	34.36	18
GU17768750	34.48	17	GU28716748	33.15	22	GU30230725	34.36	19
GU17999550	34.39	34	GU28742558	33.01	22	GU30231025	34.36	8
GU18001150	34.39	20	GU28742558	33.15	4	GU30231525	34.38	22
GU18144350	34.48	19	GU28742559	33.15	4	GU30250860	33.47	1
GU18161150	34.37	11	GU28742560	33.01	22	GU30252060	33.47	15
GU18211050	34.38	15	GU28742562	33.01	22	GU30252360	33.47	16
GU18211051	34.38	15	GU28762540	33.08	5	GU30256960	33.47	14
GU18211052	34.38	15	GU29053351	34.42	3	GU30257760	33.47	22
GU18211054	34.38	15	GU29104985	33.32	4	GU30258160	33.47	10
GU18258101	33.47	13	GU29105860	34.37	3	GU30335260	33.29	14
GU18352400	33.07	15	GU29106061	34.37	12	GU30350262	33.07	1
GU18355100	33.07	17	GU29106660	33.32	9	GU30350360	33.07	2
GU18432760	33.06	17	GU29106860	34.37	25	GU30354602	33.07	29
GU18548000	33.14	9	GU29107261	34.37	1	GU30356760	33.07	13
GU18678350	33.26	28	GU29107360	34.37	2	GU30424660	34.49	21
GU19007700	34.39	23	GU29108550	33.32	3	GU30425260	33.23	37
GU19007700	34.44	16	GU29109161	34.37	14	GU30429760	33.06	36
GU19025300	34.35	24	GU29113860	34.37	13	GU30429860	33.06	15
GU19149800	33.16	3	GU29115860	33.12	15	GU30429960	33.06	14
GU19149800	33.24	5	GU29116960	33.12	14	GU30433560	33.06	33
GU19149800	33.25	18	GU29217960	34.44	7	GU30447060	33.23	8
GU19207220	34.49	19	GU29418360	33.34	35	GU30450260	33.34	3
GU19355320	33.07	19	GU29443501	33.23	9	GU30461360	33.34	21
GU19355321	33.07	19	GU29447150	33.23	40	GU30462060	33.34	25
GU19355322	33.07	19	GU29482400	33.04	9	GU30462160	33.34	31



Code	Drawing Nr.	Pos.	Code	Drawing Nr.	Pos.	Code	Drawing Nr.	Pos.
GU30463260	33.34	33	GU37062008	34.35	17	GU91111511	34.50	27
GU30466860	33.34	27	GU37064106	34.35	18	GU91112128	34.35	16
GU30477101	33.01	16	GU37065405	34.35	19	GU91120806	33.30	21
GU30477200	33.01	17	GU37613305	33.28	7	GU91180408	34.41	21
GU30482560	33.04	2	GU37703805	34.44	2	GU91180600	33.31	26
GU30485760	33.04	3	GU37712306	34.44	9	GU91180602	33.23	23
GU30513401	33.33	2	GU37712405	34.44	1	GU91180607	33.01	15
GU30516500	33.33	3	GU39103400	33.06	32	GU91181210	33.34	5
GU30530510	34.46	3	GU39103400	33.34	14	GU91551010	33.21	16
GU30530511	34.46	4	GU39103500	33.06	27	GU91551034	34.41	22
GU30530512	34.46	9	GU39103500	33.34	16	GU91551080	33.01	14
GU30530521	33.13	54	GU39663801	33.25	4	GU91551081	33.31	27
GU30530561	33.13	55	GU39922200	33.21	4	GU91551099	33.22	4
GU30547060	33.14	6	GU43083810	34.36	3	GU91551105	33.10	4
GU30576100	33.21	17	GU43262180	33.26	23	GU91551105	33.30	15
GU30601060	33.19	18	GU49609601	33.01	25	GU91551106	33.30	20
GU30602500	33.19	20	GU55235000	34.36	22	GU91551120	33.16	14
GU30611460	33.29	10	GU55235001	34.36	22	GU91551131	33.31	15
GU30658760	33.16	16	GU55235002	34.36	22	GU91600450	34.44	10
GU30665860	33.26	12	GU55235003	34.36	22	GU91702355	34.42	15
GU30666060	33.26	10	GU61013800	33.09	5	GU92201070	33.07	26
GU30666760	33.26	4	GU61108500	33.26	13	GU92201417	34.49	13
GU30666960	33.26	1	GU61108500	33.32	8	GU92201821	33.28	3
GU30675160	33.26	34	GU61270300	33.27	5	GU92204220	33.29	3
GU30678160	33.26	22	GU63657000	33.26	20	GU92204230	33.14	14
GU30678160	33.47	2	GU65061300	34.48	35	GU92218424	34.49	7
GU30714201	34.44	3	GU65663500	33.26	7	GU92234717	34.49	8
GU30716500	33.15	21	GU66468115	33.34	34	GU92249217	33.14	8
GU30717061	33.15	15	GU66478610	33.05	6	GU92249225	33.33	6
GU30728230	33.15	29	GU66478610	33.09	12	GU92249227	33.07	14
GU30729331	33.15	18	GU66478610	33.18	9	GU92251022	34.36	7
GU30730711	34.46	1	GU66478610	33.30	6	GU92251030	34.36	30
GU30732200	33.15	31	GU89000406	33.31	1	GU92251030	34.38	20
GU30732400	33.15	32	GU89000407	33.32	1	GU92252210	34.48	3
GU30732560	33.01	21	GU90118152	34.50	31	GU92254340	33.07	12
GU30735500	33.08	17	GU90271020	33.14	13	GU92256218	34.49	3
GU30735500	33.31	20	GU90272037	34.37	19	GU92258525	34.38	16
GU30746360	33.01	12	GU90351038	34.35	9	GU92259017	34.36	6
GU30749760	33.01	3	GU90353016	34.50	7	GU92295702	34.36	15
GU30759600	33.15	24	GU90402840	34.39	19	GU92295708	33.27	9
GU30787310	33.01	24	GU90403040	33.14	7	GU92296750	34.38	18
GU30922260	33.01	6	GU90403547	34.49	2	GU92602206	33.19	17
GU30944300	33.31	32	GU90403548	34.49	31	GU92602206	33.27	4
GU30999060	34.39	33	GU90403850	33.07	10	GU92602208	33.20	18
GU31003766	33.07	33	GU90405367	34.39	39	GU92602208	34.39	8
GU31003766	34.49	34	GU90407085	33.07	27	GU92602312	33.23	33
GU31103565	33.31	14	GU90706094	34.35	11	GU92602312	33.34	7
GU31482565	33.04	2	GU90706094	34.50	21	GU92602408	33.20	18
GU31485765	33.04	3	GU90706140	34.49	12	GU92602508	34.43	15
GU31487665	33.02	2	GU90706141	33.15	19	GU92602512	33.47	19
GU31487765	33.02	4	GU90706170	34.43	11	GU92602525	34.42	14
GU31487765	33.03	4	GU90706178	34.39	32	GU92603010	34.50	23
GU31487765	33.17	10	GU90706178	34.44	8	GU92606003	33.15	33
GU31488065	33.02	8	GU90706203	33.07	7	GU92606205	33.06	20
GU31659260	33.24	3	GU90706203	34.36	31	GU92606206	33.15	26
GU31743765	33.10	19	GU90706203	34.38	6	GU92606206	33.26	30
GU31743766	33.10	20	GU90706203	34.49	24	GU92606206	33.34	19
GU31744765	33.10	21	GU90706203	34.50	16	GU92606308	34.48	5
GU31745865	33.11	26	GU90706219	34.36	28	GU92606312	33.06	16
GU31750560	33.01	30	GU90706235	34.38	4	GU92606312	33.23	14
GU31753765	33.10	17	GU90706490	33.29	13	GU92606408	33.16	30
GU31753765	33.11	9	GU90706584	33.07	16	GU92606508	33.06	31
GU31755660	33.01	31	GU90706584	33.14	3	GU92606512	33.23	32
GU37045006	34.42	1	GU90714053	33.12	16	GU92606512	34.49	15
GU37062005	34.35	17	GU90714082	33.12	19	GU92606516	34.44	4
GU37062006	34.35	17	GU90714104	34.37	21	GU92609007	33.26	35
GU37062007	34.35	17	GU90718370	33.45	3	GU92609206	33.47	12

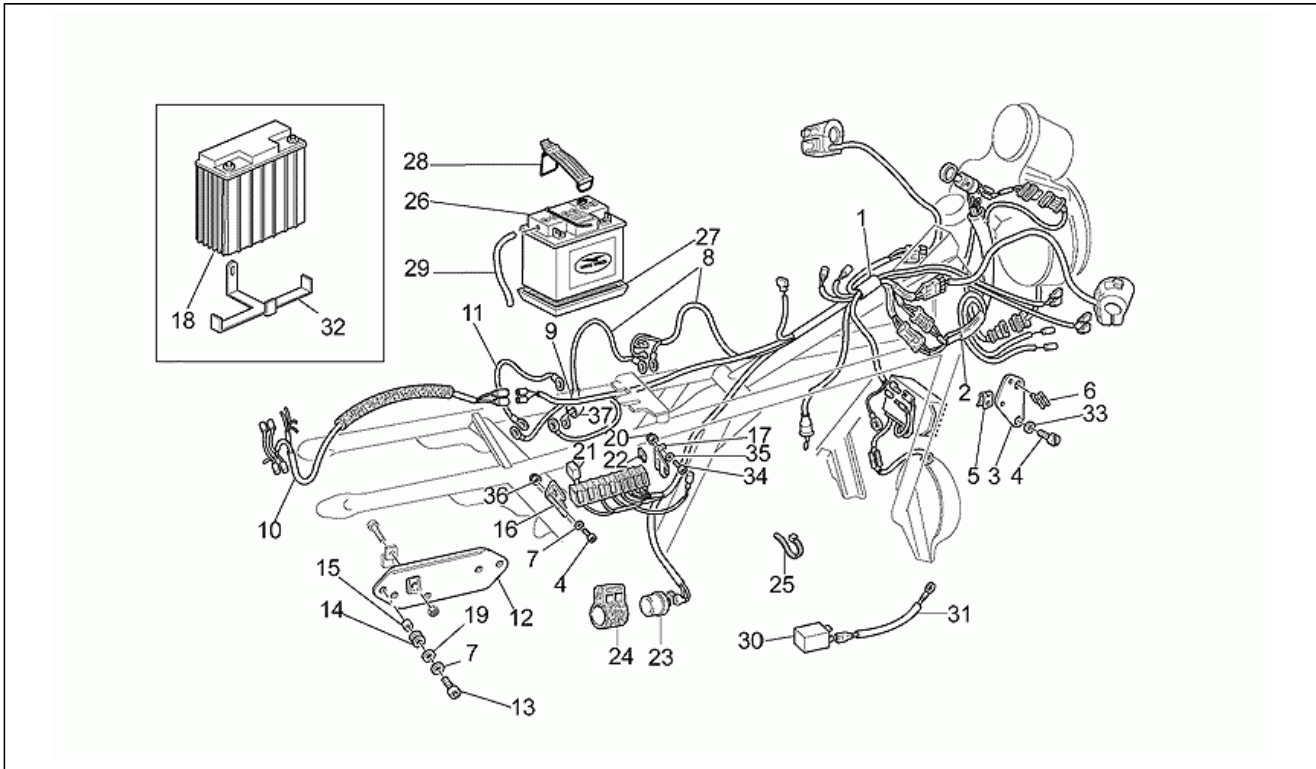


Code	Drawing Nr.	Pos.	Code	Drawing Nr.	Pos.	Code	Drawing Nr.	Pos.
GU92630104	33.16	11	GU93306070	33.14	11	GU95021204	33.15	27
GU92630107	33.22	13	GU93400012	33.08	20	GU95021206	33.08	35
GU92630108	33.16	23	GU93450119	33.10	7	GU95022110	33.23	39
GU92630108	33.23	11	GU93450120	33.08	8	GU95022112	33.23	31
GU92630110	33.05	8	GU93450127	33.10	16	GU95022112	33.34	6
GU92630110	33.13	10	GU93450127	33.11	8	GU95028022	34.38	2
GU92630204	33.15	37	GU93450140	33.08	34	GU95100116	34.41	13
GU92630205	33.16	29	GU93450224	33.11	12	GU95100118	33.01	19
GU92630206	33.01	20	GU93450232	33.10	5	GU95100141	33.33	18
GU92630206	33.01	36	GU93601022	34.38	1	GU95100141	34.37	24
GU92630206	33.06	24	GU94321007	33.27	8	GU95100177	33.26	38
GU92630206	33.15	40	GU94321051	34.38	19	GU95100239	33.31	13
GU92630206	33.26	19	GU94321067	34.49	29	GU95100332	33.16	4
GU92630206	33.47	6	GU94321070	33.19	15	GU95100332	33.25	19
GU92630508	33.45	13	GU94321079	34.48	15	GU95100333	33.16	4
GU92630707	33.33	12	GU94321105	34.43	13	GU95100333	33.25	19
GU92630707	33.47	7	GU94322185	33.47	18	GU95100409	33.47	17
GU92630718	33.29	21	GU94322215	34.50	30	GU95100414	33.23	30
GU92640106	33.04	11	GU95000205	33.12	5	GU95100432	33.33	17
GU92640106	33.34	10	GU95000206	33.09	6	GU95100709	34.39	30
GU92640310	33.06	11	GU95000206	33.20	20	GU95100837	34.42	13
GU92640508	33.23	26	GU95000206	33.20	9	GU95120033	33.15	41
GU92640508	33.34	26	GU95001206	33.11	5	GU95120065	34.42	7
GU92650034	33.11	27	GU95004206	33.01	35	GU95120065	34.48	33
GU92650035	33.11	22	GU95004206	33.13	58	GU95120065	34.50	35
GU92650036	33.22	5	GU95004206	34.39	28	GU95120085	34.48	6
GU92650136	33.08	23	GU95004208	33.07	22	GU95129111	33.26	32
GU92660007	33.02	7	GU95004208	34.39	4	GU95129131	33.26	37
GU92660007	33.03	7	GU95005305	33.08	11	GU95129180	34.50	18
GU92660007	33.09	7	GU95005306	33.23	36	GU95180819	33.45	23
GU92660007	33.17	13	GU95005306	34.50	40	GU95187006	34.48	10
GU92660209	33.12	11	GU95005308	33.21	14	GU95500221	33.26	33
GU92660600	33.11	6	GU95005309	33.33	23	GU95500222	34.43	17
GU92660601	33.15	11	GU95005311	33.45	14	GU95512081	34.39	9
GU92660601	33.30	7	GU95005312	33.22	8	GU95512081	34.49	9
GU92660601	34.37	6	GU95005312	33.45	19	GU95522508	33.34	32
GU92660601	34.44	14	GU95008205	33.11	17	GU95740175	33.26	36
GU92660801	33.31	16	GU95008205	33.15	23	GU95770265	33.26	31
GU92660801	33.34	13	GU95008205	33.16	28	GU95780271	34.43	16
GU92750180	34.42	11	GU95008206	33.22	12	GU95980214	33.07	8
GU92781062	34.41	16	GU95008206	33.22	2	GU95980214	34.49	25
GU92781081	34.39	5	GU95008206	33.25	24	GU95980610	34.49	32
GU92781085	33.45	21	GU95008206	34.41	15	GU95985223	33.12	18
GU92787008	33.07	5	GU95008206	34.48	16	GU95990028	33.16	32
GU92787008	33.22	9	GU95008208	33.04	8	GU95990028	33.24	8
GU92787008	33.45	7	GU95008208	33.08	36	GU95990028	33.25	11
GU92787205	33.21	11	GU95008208	33.10	10	GU95990028	33.26	15
GU92787205	34.40	5	GU95008208	33.18	6	GU95990037	34.48	24
GU93110060	33.11	21	GU95008208	33.23	6	GU95990040	33.24	10
GU93180080	33.34	30	GU95008208	33.34	37	GU96506039	34.41	14
GU93180111	33.28	11	GU95008208	33.45	12	GU96508040	34.50	19
GU93180216	33.34	2	GU95008210	33.06	8	GU96508045	33.07	3
GU93180220	34.49	22	GU95008210	33.15	36	GU96508066	34.39	3
GU93180245	33.07	32	GU95008219	33.29	20	GU96508075	34.39	7
GU93180245	33.23	35	GU95008304	33.15	8	GU97202112	34.41	20
GU93180245	34.49	33	GU95008306	33.05	7	GU97202435	33.45	18
GU93180577	34.40	4	GU95008306	33.06	23	GU97260415	33.08	33
GU93221330	33.15	6	GU95008306	33.08	25	GU98052560	33.13	3
GU93222020	33.08	19	GU95008306	33.09	14	GU98054418	33.06	26
GU93222020	33.15	28	GU95008306	33.15	39	GU98054420	34.35	2
GU93231604	33.11	14	GU95008306	33.26	9	GU98064425	33.10	13
GU93231606	33.23	7	GU95008306	33.27	3	GU98082225	33.21	10
GU93305017	34.37	8	GU95008306	33.33	11	GU98082250	33.16	27
GU93305061	34.41	6	GU95008306	34.44	13	GU98082390	34.39	25
GU93306017	33.12	13	GU95008517	33.06	13	GU98082430	33.23	10
GU93306017	34.48	29	GU95008517	33.23	13	GU98082435	34.42	18
GU93306050	33.14	10	GU95021104	33.25	9	GU98082475	34.46	2



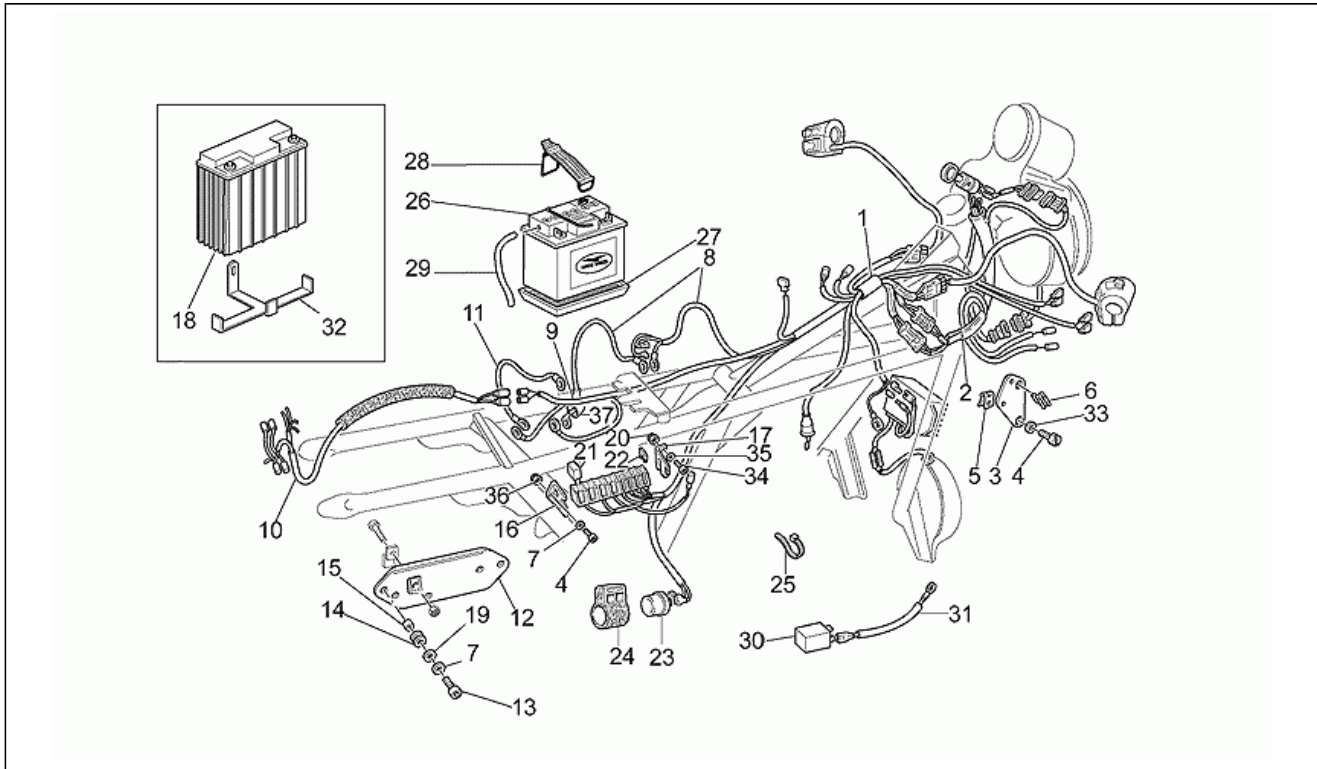
Code	Drawing Nr.	Pos.	Code	Drawing Nr.	Pos.
GU98082545	33.06	7	GU98622310	33.01	34
GU98082550	33.06	34	GU98622316	33.20	19
GU98084110	33.15	7	GU98622316	33.20	8
GU98084216	33.06	19	GU98622325	33.26	2
GU98084312	33.29	18	GU98622420	33.20	16
GU98084314	33.23	21	GU98622425	33.20	17
GU98084316	33.06	38	GU98622430	33.13	1
GU98084316	34.48	9	GU98680110	33.15	30
GU98084316	34.50	34	GU98680150	33.11	11
GU98084320	34.42	6	GU98680225	33.12	20
GU98084320	34.48	37	GU98680230	33.12	4
GU98084325	33.33	10	GU98680335	34.39	17
GU98084412	33.26	5	GU98680335	34.49	17
GU98084416	33.34	36	GU98680440	33.06	28
GU98084425	34.39	12	GU98681650	33.23	28
GU98110007	33.45	20	GU98681650	33.34	4
GU98223835	33.22	7	GU98682125	33.15	25
GU98230412	33.25	8	GU98682212	33.15	17
GU98230512	33.08	37	GU98682310	33.01	4
GU98230612	33.12	6	GU98682310	33.15	9
GU98230615	33.09	4	GU98682310	33.26	8
GU98230615	33.33	22	GU98682314	33.10	18
GU98230616	33.26	18	GU98682316	34.49	5
GU98230618	33.13	57	GU98682318	33.01	13
GU98230618	33.25	25	GU98682318	34.37	4
GU98230621	33.09	8	GU98682318	34.44	12
GU98230626	33.33	19	GU98682320	33.09	13
GU98230816	33.26	24	GU98682320	33.11	4
GU98230817	33.47	4	GU98682322	33.47	5
GU98257410	33.16	10	GU98682325	34.39	16
GU98270620	33.20	11	GU98682325	34.39	27
GU98270620	33.20	2	GU98682325	34.41	10
GU98310609	34.41	12	GU98682325	34.49	16
GU98310631	34.39	22	GU98682420	33.34	23
GU98326016	33.30	5	GU98682430	34.48	7
GU98350210	33.12	10	GU98682525	33.24	4
GU98350215	33.05	9	GU98683530	33.16	2
GU98350215	33.11	20	GU98683530	33.25	17
GU98350310	33.08	21	GU98683635	33.23	27
GU98350312	33.34	29	GU98683640	33.23	34
GU98350315	33.16	12	GU98684416	33.06	35
GU98350318	33.04	10	GU98690440	33.04	7
GU98350320	33.02	6	GU98690445	33.04	15
GU98350320	33.03	6	GU98690445	33.17	6
GU98350320	33.17	12	GU98690450	33.18	5
GU98350320	33.33	13	GU98692318	33.08	24
GU98350322	33.21	15	GU98692318	33.10	12
GU98350325	33.22	11	GU98692325	34.50	39
GU98350325	33.22	14	GU98822316	33.34	15
GU98350416	33.34	22	GU98872110	33.08	38
GU98350430	33.31	12	GU98872115	33.08	27
GU98350440	33.16	22	GU98882325	34.49	35
GU98350522	33.23	38			
GU98358318	33.27	10			
GU98370614	33.31	24			
GU98370616	33.05	5			
GU98370619	33.31	24			
GU98370621	33.23	5			
GU98370625	33.30	18			
GU98370645	33.30	13			
GU98370845	33.34	8			
GU98370850	33.21	13			
GU98460105	33.14	2			
GU98460404	33.28	12			
GU98460404	33.29	6			
GU98620265	34.44	6			
GU98620340	33.13	40			

Assembly	FRAME
Code	33.01
Description	Battery
Revision	1



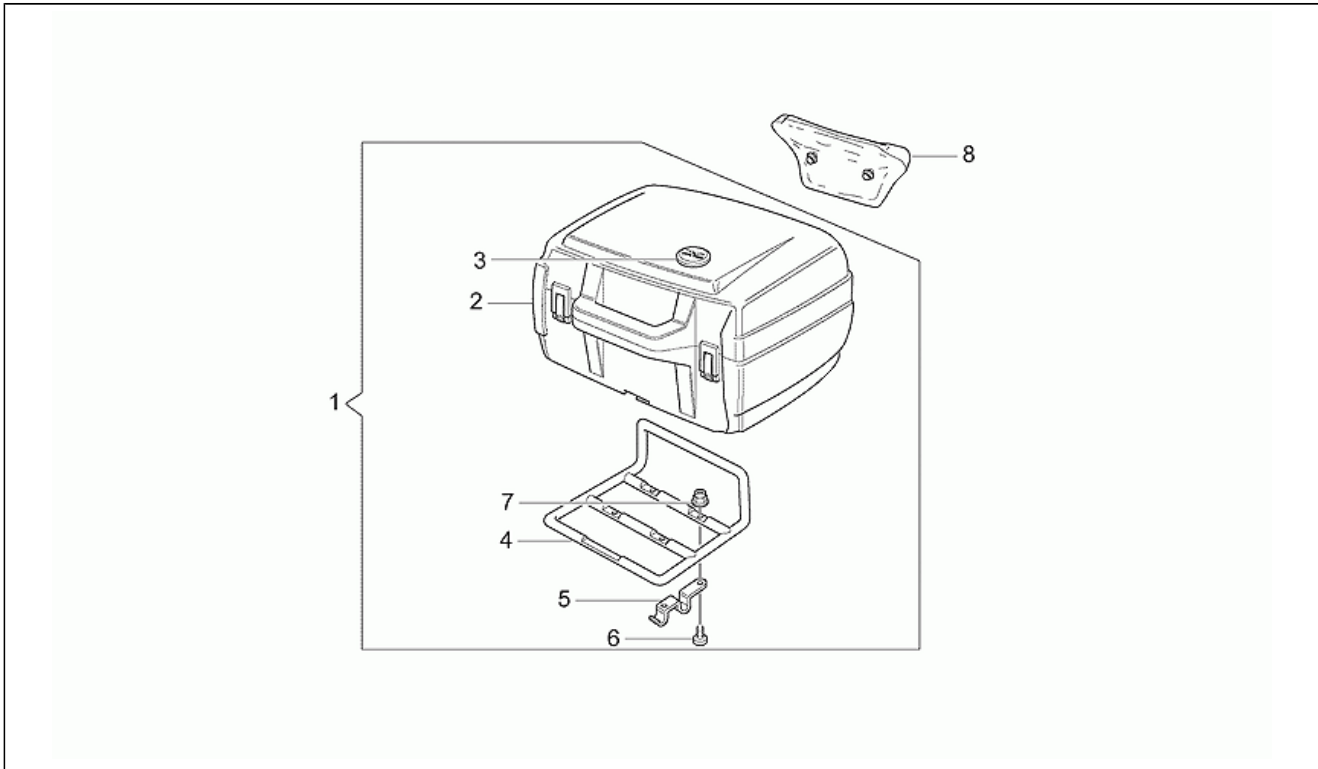
Pos.	Code	Description	Q.ty	Variants
1	GU03747150	Main wiring harness	1	
2	GU03747200	Dashboard cable Borletti	1	
3	GU30749760	Plate	1	
4	GU98682310	Hex socket screw M6x10	4	
5	GU28576590	Clip	2	
6	GU30922260	Clip	4	
7	GU03013800	Washer 6,4x12	8	
8	GU03748440	Wire	1	
9	GU03707140	Cap	1	
10	GU03753130	Taillight wiring harness.	1	
11	GU02747901	Ground-battery lead	1	
12	GU30746360	Plate	1	
13	GU98682318	Hex socket screw M6x18	2	
14	GU91551080	Rubber spacer	2	
15	GU91180607	Spacer	2	
16	GU30477101	RH clamp	1	
17	GU30477200	LH plate	1	
18	GU03704550	Battery 12V-16Ah	1	Country:Canadian[CDN], Singapore[SGP], United States of America[USA]
19	GU95100118	Washer 6,2X18X1	4	
20	GU92630206	Nut M6x1	2	
21	GU01732530	Relay Siemens A302B1005	2	
21	GU30732560	Relay Siemens A302/B1008	1	
22	GU28742558	Fuse 5A	1	
22	GU28742560	Fuse 15A	2	
22	GU28742562	Fuse 30A	1	
23	GU17750520	Flasher unit	1	
24	GU17751200	Block	1	

Assembly	FRAME
Code	33.01
Description	Battery
Revision	1



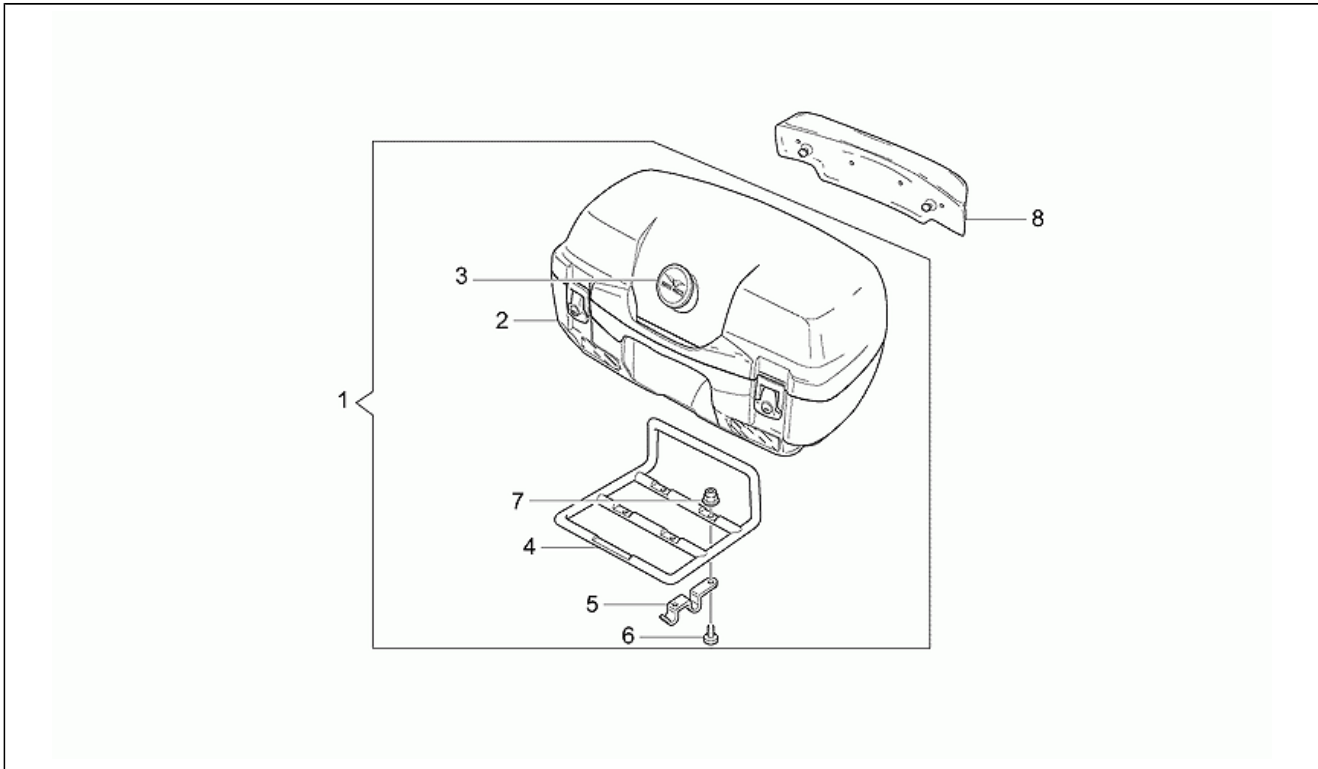
Pos.	Code	Description	Q.ty	Variants
24	GU30787310	Block	1	Country:Australia[AUS]
25	GU14609650	Hose clamp 3,6x20,6	56	
25	GU49609601	Hose clamp 2,4x92	6	
26	GU03704540	Battery Exide 12V-30Ah	1	
27	GU28707050	Battery holder	1	
28	GU03705540	Battery fixing snap	1	
29	GU00823944050	Pipe 5X9	1	
30	GU31750560	Flasher unit	1	Country:Australia[AUS]
31	GU31755660	Ground-battery lead	1	Country:Australia[AUS]
32	GU03116745	Battery holder	1	Country:Canadian[CDN], Singapore[SGP], United States of America[USA]
33	GU14615901	Washer 8,4X13X0,8	2	
34	GU98622310	Screw	1	
35	GU95004206	Washer 6,15x11x0,8	2	
36	GU92630206	Nut M6x1	1	
37	GU19707100	Cap	1	

Assembly	FRAME
Code	33.02
Description	40 L top box
Revision	1



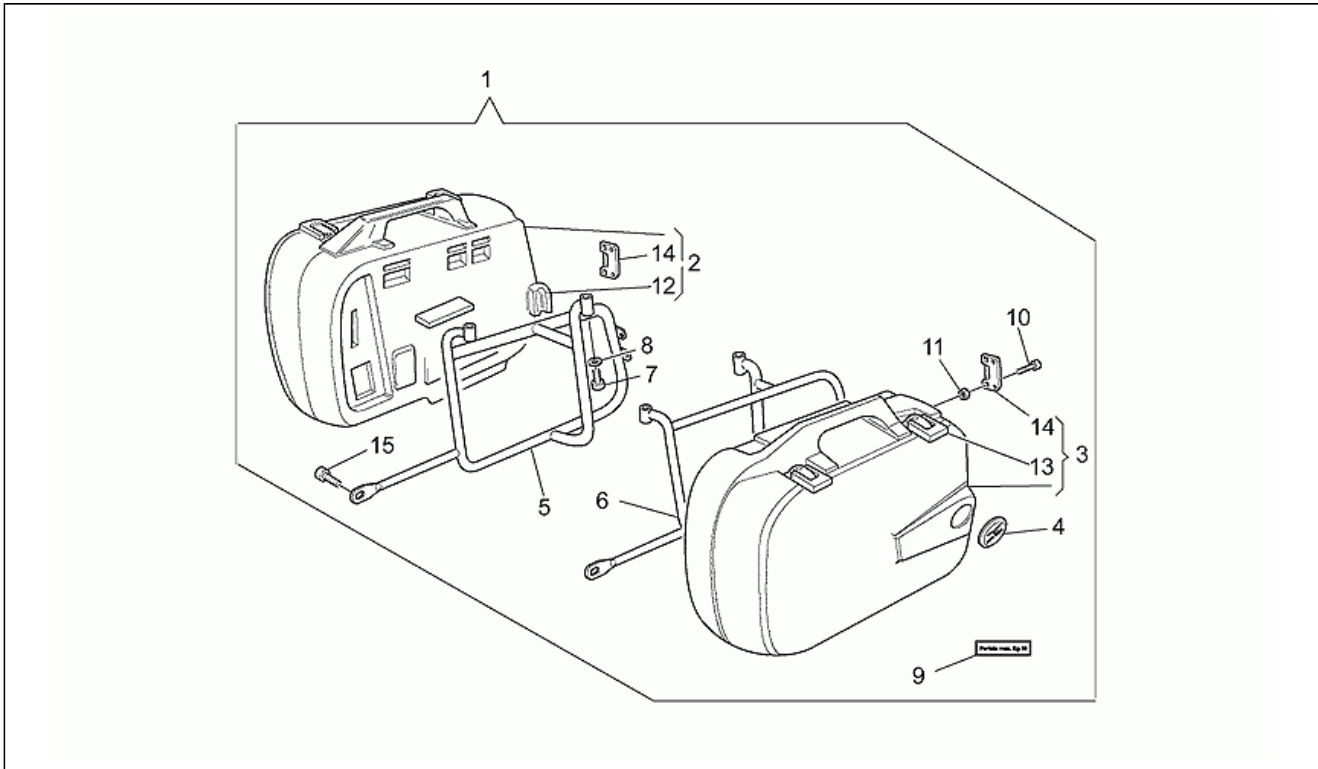
Pos.	Code	Description	Q.ty	Variants
1	GU03487500	Top box kit 40 L	1	
2	GU31487665	Top box 40 L	1	
3	GU03482001	"MotoGuzzi" dec. 40 L	1	
4	GU31487765	Support plate	1	
5	GU03487802	Clamp	2	
6	GU98350320	Hex socket screw M6X20	4	
7	GU92660007	Flanged nut M6x9	4	
8	GU31488065	Top box backrest 40 L	1	

Assembly	FRAME
Code	33.03
Description	45 L top box
Revision	1



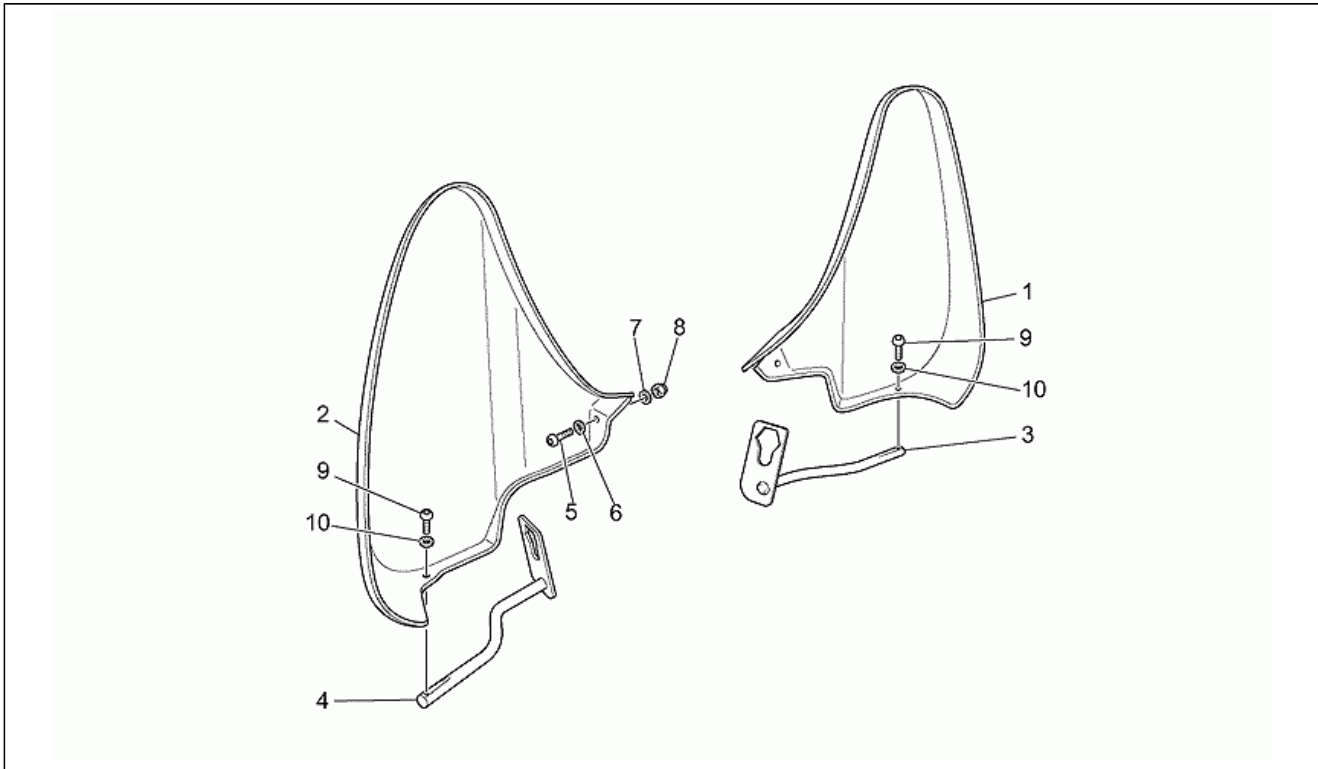
Pos.	Code	Description	Q.ty	Variants
1	GU03487501	Top box kit 45 L	1	
2	GU03487600	Top box 45 L	1	
3	GU03482000	"MotoGuzzi" dec. 45 L	1	
4	GU31487765	Support plate	1	
5	GU03487802	Clamp	2	
6	GU98350320	Hex socket screw M6X20	4	
7	GU92660007	Flanged nut M6x9	4	
8	GU03488000	Top box backrest 45 L 45 L	1	

Assembly	FRAME
Code	33.04
Description	Side cases
Revision	1



Pos.	Code	Description	Q.ty	Variants
1	GU03480050	Suitcase kit 40 L	1	
1	GU03480051	Suitcase kit 30 L	1	
2	GU30482560	RH suitcase 40 L	1	
2	GU31482565	RH suitcase 30 L	1	
3	GU30485760	LH suitcase 40 L	1	
3	GU31485765	LH suitcase 30 L	1	
4	GU03482000	"MotoGuzzi" dec. 45 L	2	
5	GU03485050	RH support	1	
6	GU03486550	LH support	1	
7	GU98690440	Screw M8X40	4	
8	GU95008208	Washer 8,4X15X1,5	6	
9	GU29482400	Name plate Kg.10	2	
10	GU98350318	Hex socket screw M6X18	4	
11	GU92640106	Self-locking nut	4	
12	GU03484000	Lock	2	
13	GU03484001	Lock	4	
14	GU00979726	Lock plate	2	
15	GU98690445	Screw M8X45	2	

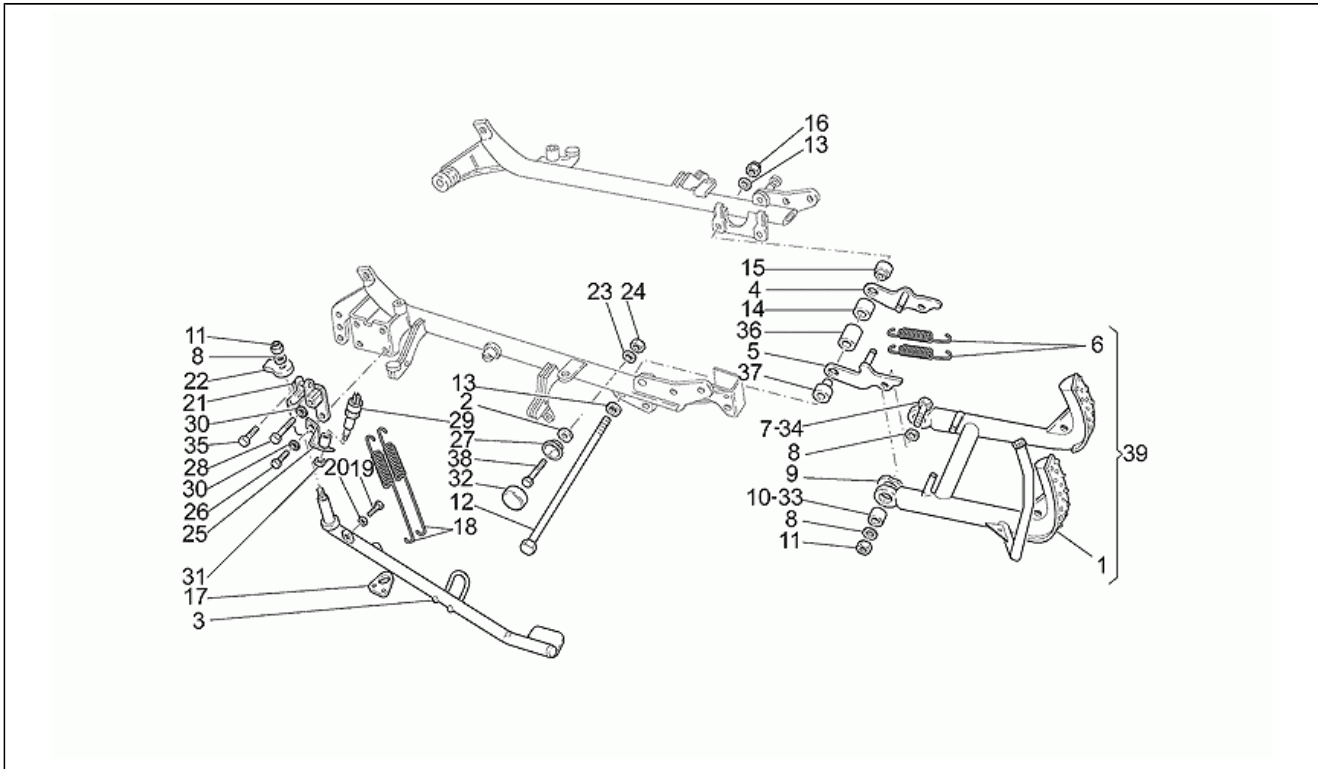
Assembly	FRAME
Code	33.05
Description	Protection
Revision	1



Pos.	Code	Description	Q.ty	Variants
1	GU03586615	RH toe guard blank	1	Color:Blank[gr]
1	GU03586616	RH toe guard red	1	Color:80 Anniversary Red Frau 01-02[f.r]
1	GU03586626	RH toe guard black	1	Color:Touring Black 2001-2002[t.b]
2	GU03586715	LH toe guard blank	1	Color:Blank[gr]
2	GU03586716	LH front footrest guard	1	Color:80 Anniversary Red Frau 01-02[f.r]
2	GU03586726	LH toe guard black	1	Color:Touring Black 2001-2002[t.b]
3	GU03443915	RH support	1	
4	GU03444015	LH support	1	
5	GU98370616	Hex socket screw M6X16	2	
6	GU66478610	Nylon washer 6X17X1	2	
7	GU95008306	Washer 6,4x12x1,2	2	
8	GU92630110	Nut M10X1,5	2	
9	GU98350215	Hex socket screw M5x20	2	
10	GU29577860	Washer	2	

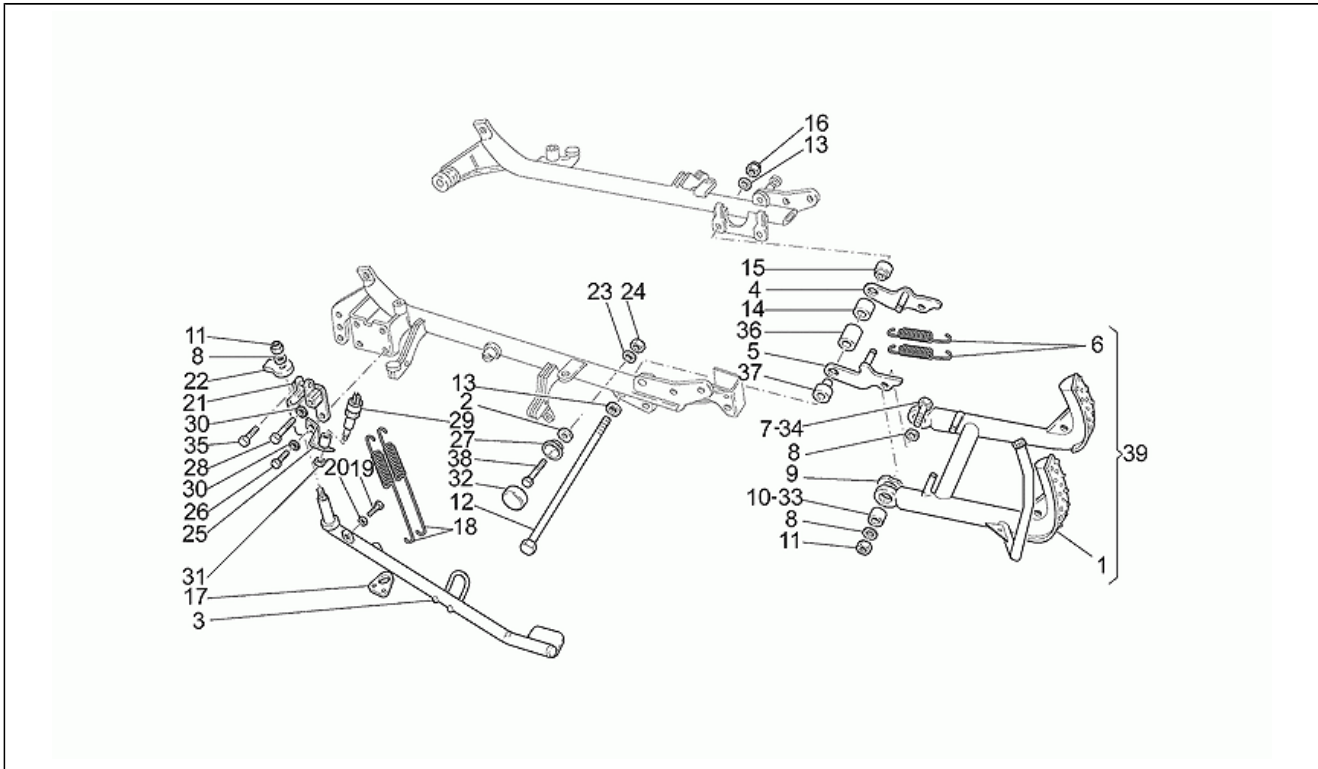


Assembly	FRAME
Code	33.06
Description	Stands
Revision	1



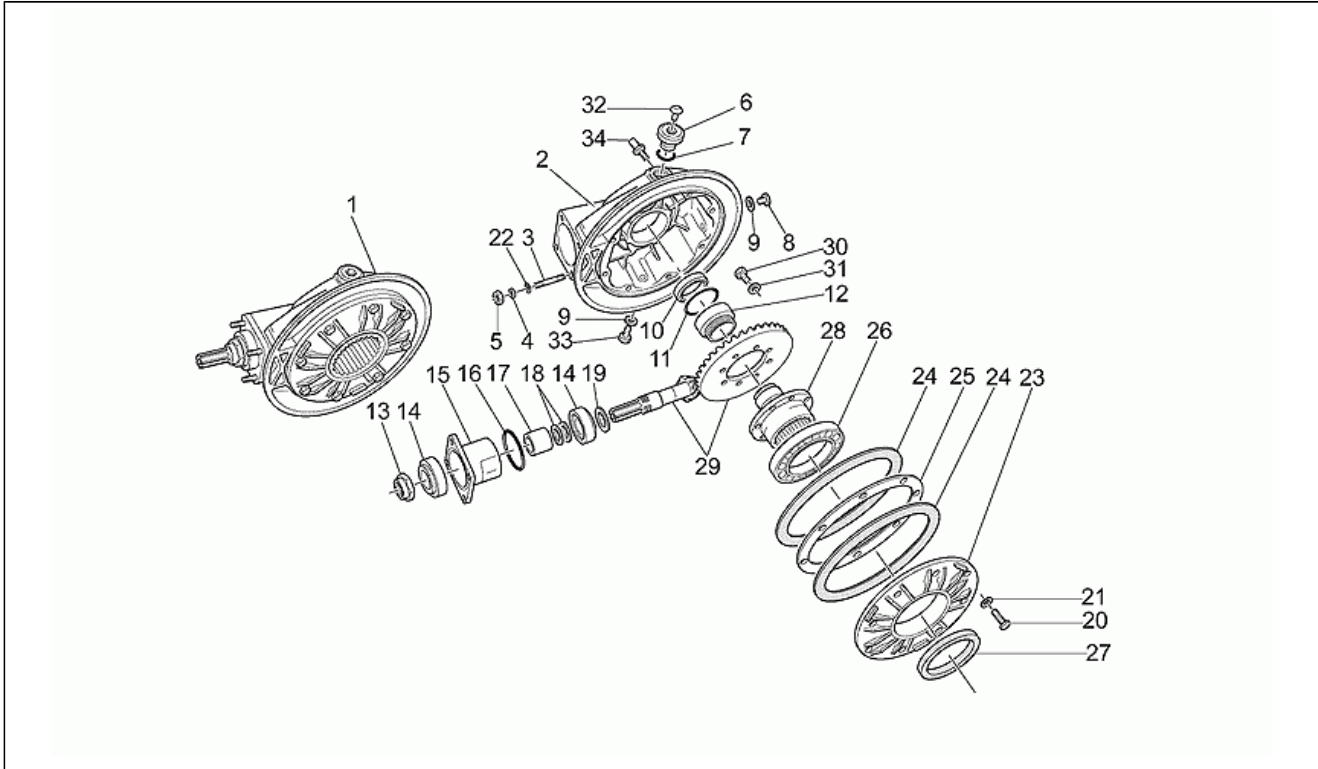
Pos.	Code	Description	Q.ty	Variants
1	GU03430310	Central stand	1	
2	GU03013800	Washer 6,4x12	1	
3	GU03432060	Lateral stand	1	
4	GU14432900	RH plate	1	
5	GU14433200	LH plate	1	
6	GU03434011	Spring	2	
7	GU98082545	Screw	1	
8	GU95008210	Washer 10,2X18X2	3	
9	GU03433400	Washer	2	
10	GU14433500	LH bush	1	
11	GU92640310	Nut	3	
12	GU03429600	Pin M12x250	1	
13	GU95008517	Washer	2	
14	GU30429960	RH inner spacer	1	
15	GU30429860	RH outer spacer	1	
16	GU92606312	Nut M12x1,25	1	
17	GU18432760	Plate	1	
18	GU14434000	Spring	2	
19	GU98084216	Adjuster screw	1	
20	GU92606205	Nut	1	
21	GU13433440	Block	1	
22	GU03432740	Lock	1	
23	GU95008306	Washer 6,4x12x1,2	1	
24	GU92630206	Nut M6x1	1	
25	GU03433850	Support clamp	1	
26	GU98054418	Screw	1	
27	GU39103500	Disc	1	
28	GU98680440	Hex socket screw M8x40	1	

Assembly	FRAME
Code	33.06
Description	Stands
Revision	1



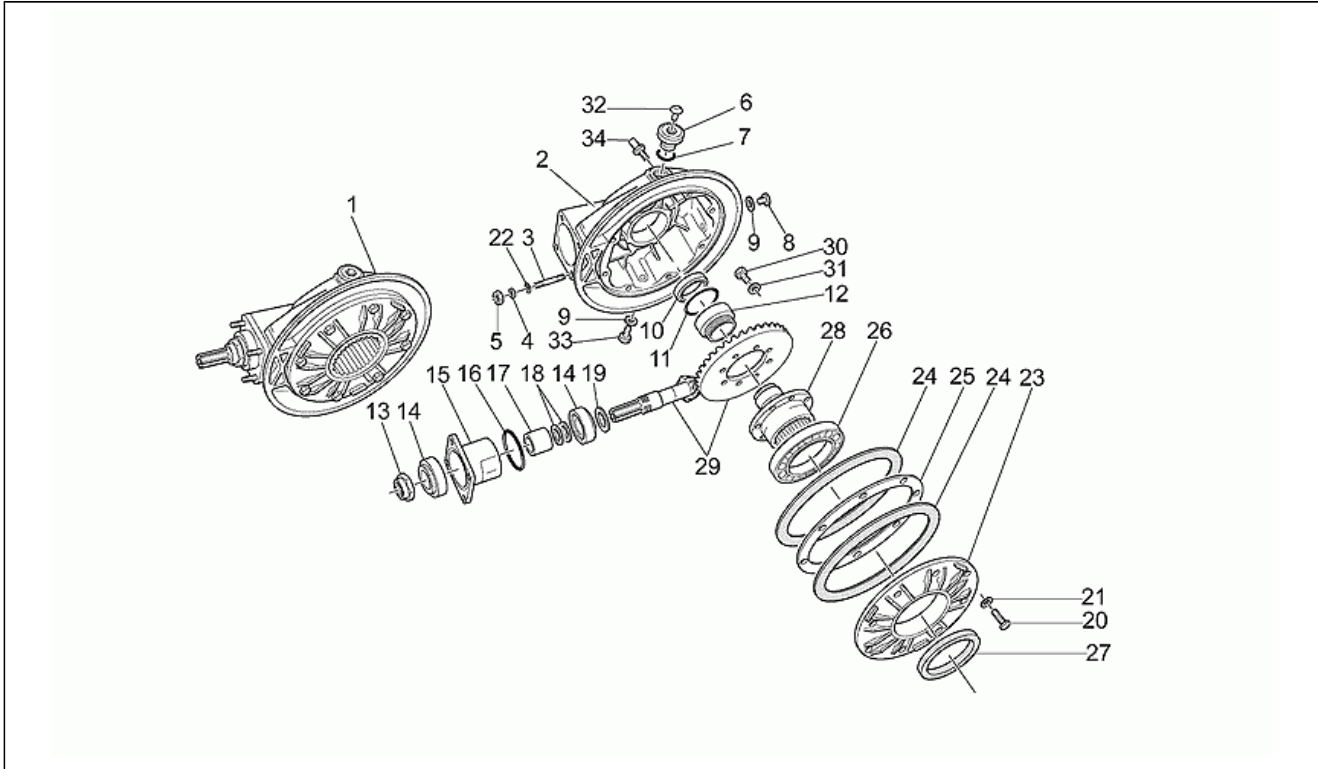
Pos.	Code	Description	Q.ty	Variants
29	GU03759150	Switch	1	
30	GU03270300	Washer 8,4x15	5	
31	GU92606508	Nut m8x1	1	
32	GU39103400	Drift	1	
33	GU30433560	RH bush	1	
34	GU98082550	Hex screw M10x50	1	
35	GU98684416	Screw	2	
36	GU30429760	LH inner spacer	1	
37	GU14429900	LH outer spacer	1	
38	GU98084316	Hex screw M6X16	1	
39	GU03430250	Central stand assy.	1	

Assembly	FRAME
Code	33.07
Description	Transmission complete
Revision	1



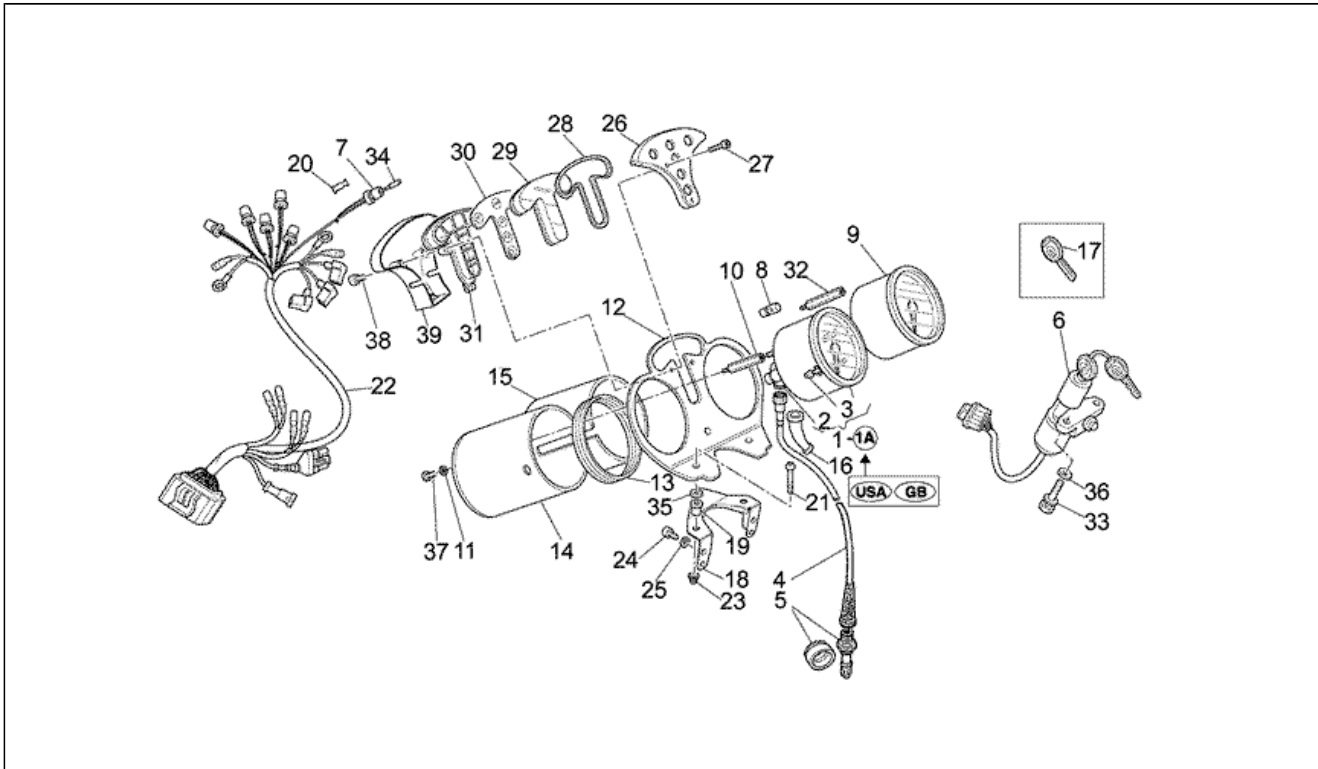
Pos.	Code	Description	Q.ty	Variants
1	GU30350262	Transmission complete 8/33	1	
2	GU30350360	Transmission housing	1	
3	GU96508045	Stud bolt 8x46	4	
4	GU14615901	Washer 8,4X13X0,8	4	
5	GU92787008	Cap nut M8x1,25	4	
6	GU12022600	Oil plug	1	
7	GU90706203	O-ring 20,24X2,62	1	
8	GU95980214	Oil level plug	1	
9	GU01528930	Gasket 10x18x1,5	2	
10	GU90403850	Gasket ring	1	
11	GU12351100	Gasket ring	1	
12	GU92254340	Roller bearing 40x55x17	1	
13	GU30356760	Nut	1	
14	GU92249227	Tap.roller bearing 25x5	2	
15	GU18352400	Flange	1	
16	GU90706584	Gasket 58,42x2,62	1	
17	GU18355100	Spacer	1	
18	GU12355202	Shim 0,1 mm	1	
18	GU12355203	Shim 0,15 mm	1	
19	GU19355320	Spacer 1 mm	1	
19	GU19355321	Spacer 1,1 mm	1	
19	GU19355322	Spacer 1,2 mm	1	
19	GU19355323	Spacer 1,3 mm	1	
19	GU19355324	Spacer 1,4 mm	1	
19	GU19355325	Spacer 1,5 mm	1	
19	GU19355326	Spacer 1,6 mm	1	
19	GU19355327	Spacer 1,7 mm	1	
19	GU19355328	Spacer 1,8 mm	1	

Assembly	FRAME
Code	33.07
Description	Transmission complete
Revision	1



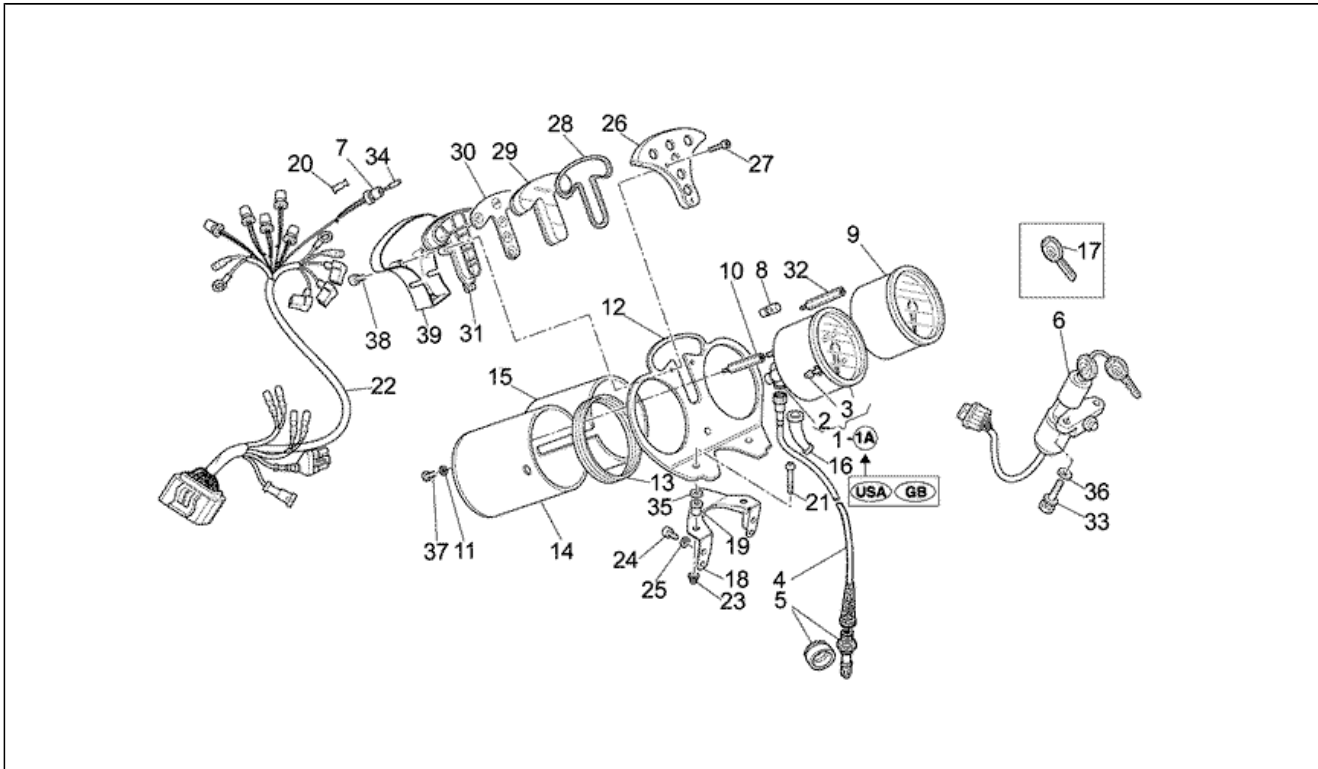
Pos.	Code	Description	Q.ty	Variants
19	GU19355329	Spacer 1,9 mm	1	
20	GU19357660	Screw M8X25	8	
21	GU14615901	Washer 8,4X13X0,8	8	
22	GU95004208	Washer	4	
23	GU17350400	Flange	1	
24	GU17350700	Gasket	2	
25	GU17355400	Spacer 0,8 mm	1	
25	GU17355402	Spacer 0,9 mm	1	
25	GU17355404	Spacer 1 mm	1	
25	GU17355406	Spacer 1,1 mm	1	
25	GU17355408	Spacer 1,2 mm	1	
25	GU17355410	Spacer 1,3 mm	1	
25	GU17355412	Spacer 1,5 mm	1	
26	GU92201070	Ball bearing 70x110x13	1	
27	GU90407085	Gasket ring	1	
28	GU17351400	Drive flange	1	
29	GU30354602	Bevel gear 8/33	1	
30	GU12356300	Screw	8	
31	GU14615901	Washer 8,4X13X0,8	8	
32	GU93180245	Plug	1	
33	GU31003766	Oil unload plug M10X1	1	
34	GU03555250	Rear swing arm pin	1	

Assembly	FRAME
Code	33.08
Description	Dashboard
Revision	1



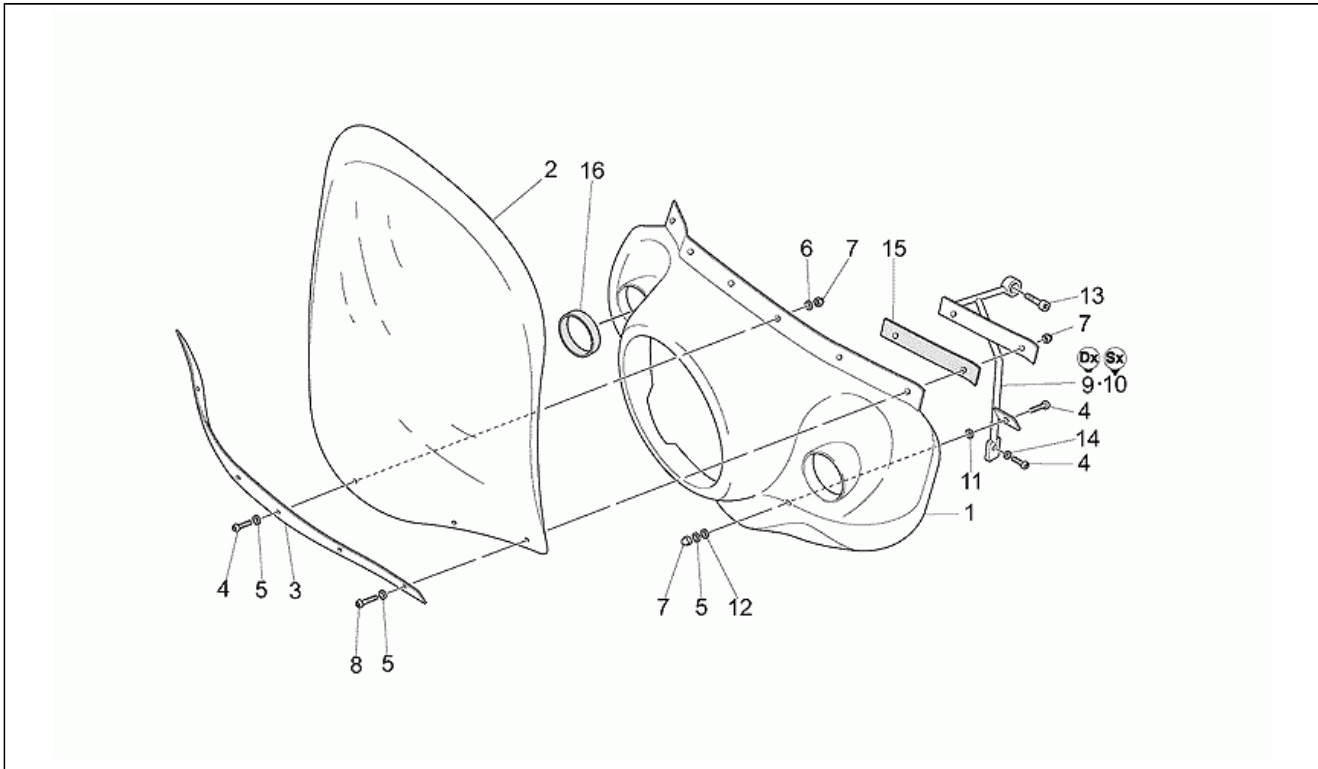
Pos.	Code	Description	Q.ty	Variants
1	GU02761500	Speedometer KMH Borletti	1	
1	GU02762400	Speedometer MPH Borletti	1	Country:Great Britain[UK], United States of America[USA]
2	GU23768310	Gear 60°	1	
3	GU02762800	Reset button	1	
4	GU01760400	Odometer cable	1	
5	GU28762540	Odometer gear 5/10	1	
6	GU01782500	Main switch - steering lock	1	
7	GU02768600	Lampholder	6	
8	GU93450120	Lamp 12v-3w	2	
9	GU02767200	Electronic revolution counter	1	
10	GU02763000	Stud bolt 40mm	4	
11	GU95005305	Washer	4	
12	GU02764000	Dashboard lower support	1	
13	GU02762301	Support rubber part	2	
14	GU02762000	Odometer support	1	
15	GU02761900	Tachometer support	1	
16	GU17762200	Sheath	2	
17	GU30735500	Non indented key blank	1	
18	GU01766031	Socket support	1	
19	GU93222020	Silent-block	3	
20	GU93400012	Lamp holder end section	6	
21	GU98350310	Hex socket screw M6x20	3	
22	GU03747200	Dashboard cable Borletti	1	
23	GU92650136	Nut	3	
24	GU98692318	Hex socket screw M6x18	4	
25	GU95008306	Washer 6,4x12x1,2	4	
26	GU02766200	Indicator light box	1	
27	GU98872115	Screw	3	

Assembly	FRAME
Code	33.08
Description	Dashboard
Revision	1



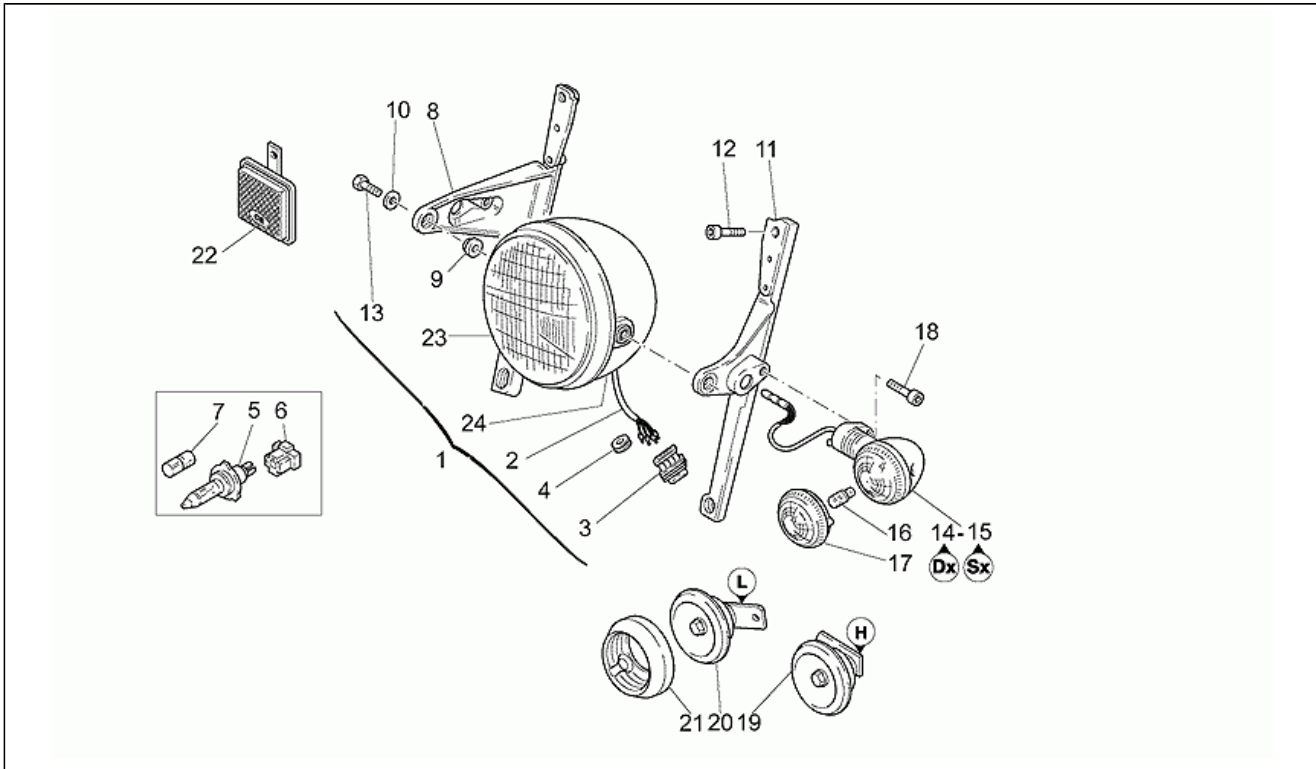
Pos.	Code	Description	Q.ty	Variants
28	GU02768200	Gasket	1	
29	GU02768400	Protection	1	
30	GU02781101	Panel with lenses	1	
31	GU02766300	Indicator light box	1	
32	GU02763400	Column nut 45mm	2	
33	GU97260415	Special screw M8x15	2	
34	GU93450140	Lamp 12V-1,2W	6	
35	GU95021206	Washer	3	
36	GU95008208	Washer 8,4X15X1,5	2	
37	GU98230512	Hex socket screw M5X12	4	
38	GU98872110	Screw	3	
39	GU02766500	Lower cover	1	

Assembly	FRAME
Code	33.09
Description	Windshield
Revision	1



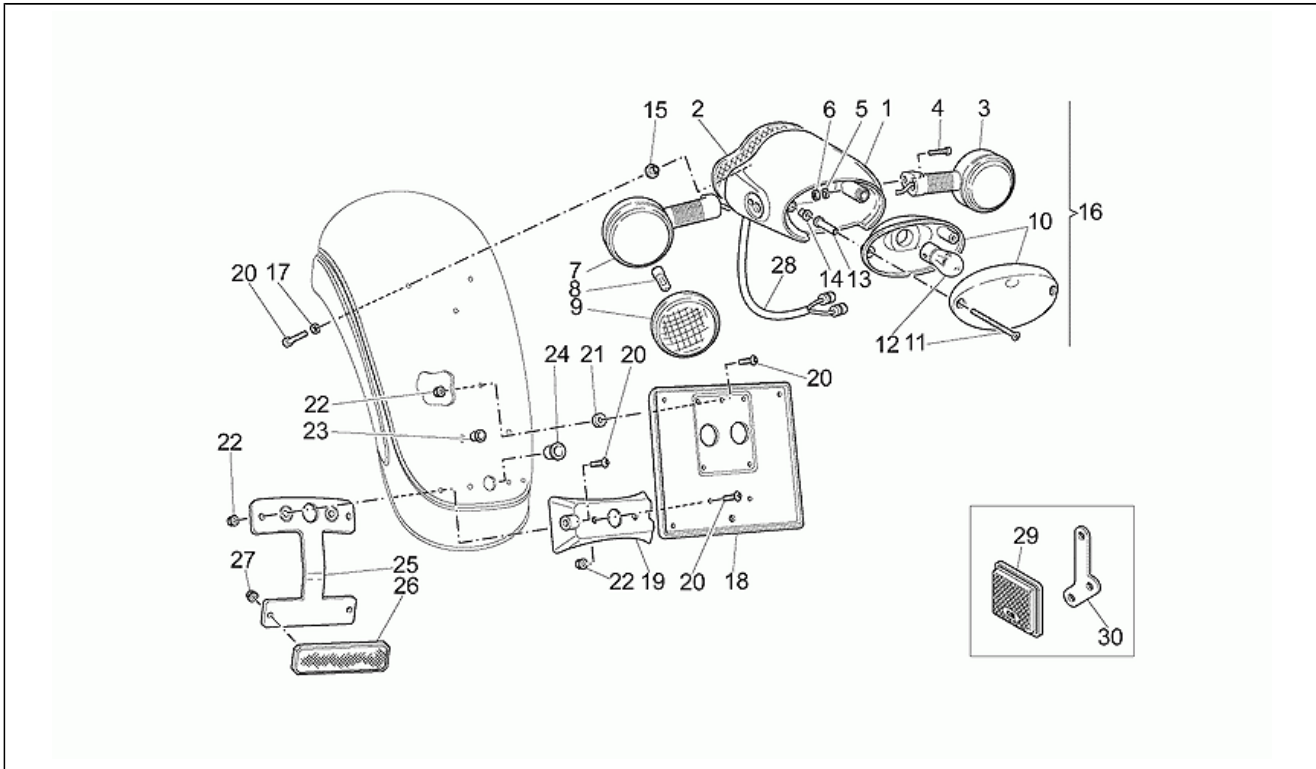
Pos.	Code	Description	Q.ty	Variants
1	GU03575415	Headlight windshield blank	1	Color:Blank[gr]
1	GU03575416	Windshield, red	1	Color:80 Anniversary Red Frau 01-02[f.r]
1	GU03575426	Headlight windshield black	1	Color:Touring Black 2001-2002[t.b]
2	GU03577210	Windscreen	1	
3	GU03575515	Steel cover	1	
4	GU98230615	Screw	7	
5	GU61013800	Special washer	9	
6	GU95000206	Washer	3	
7	GU92660007	Flanged nut M6x9	9	
8	GU98230621	Screw M6X20	4	
9	GU03578515	RH windshield support	1	
10	GU03578615	LH windshield support	1	
11	GU29577860	Washer	2	
12	GU66478610	Nylon washer 6X17X1	2	
13	GU98682320	Hex socket screw M6x20	2	
14	GU95008306	Washer 6,4x12x1,2	2	
15	GU03573815	Gasket	2	
16	GU03574115	Gasket	2	

Assembly	FRAME
Code	33.10
Description	Headlight
Revision	1



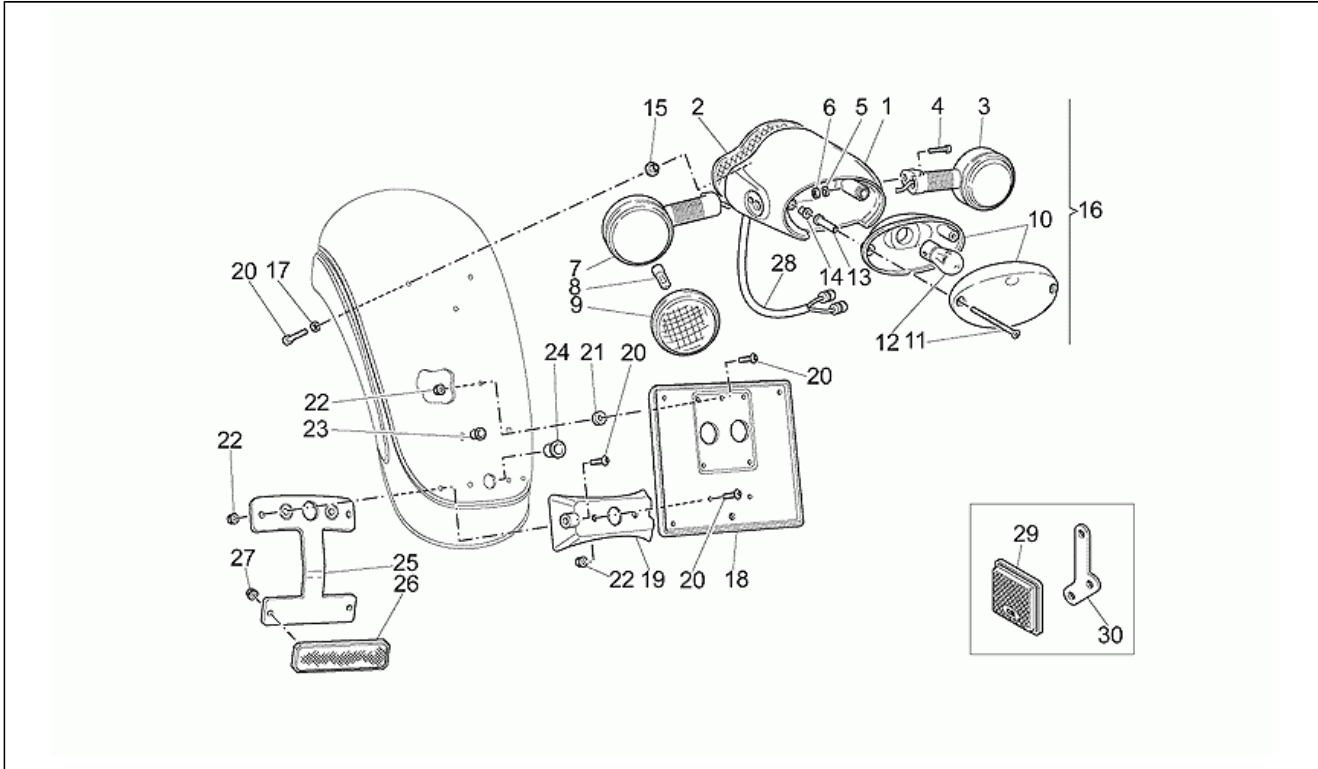
Pos.	Code	Description	Q.ty	Variants
1	GU02740501	Headlight	1	
1	GU02740505	Cpl headlightsteering headligh	1	Country:Australia[AUS], Japan[J], Malaysia[MAL], New Zeland[NZ], Singapore[SGP], Great Britain[UK]
1	GU03740531	Headlight	1	Color:80 Anniversary Red Frau 01-02[f.r]
2	GU02746900	Wiring	1	
3	GU01756100	4-way connector AMP	1	
4	GU91551105	Rubber spacer	1	
5	GU93450232	Lamp 12V-55/60W	1	
6	GU01756220	Lampholder	1	
7	GU93450119	Lamp 12V-4W	1	
8	GU03496100	RH support	1	
8	GU03496130	RH support	1	Color:80 Anniversary Red Frau 01-02[f.r]
9	GU14439800	Spacer	2	
10	GU95008208	Washer 8,4X15X1,5	2	
11	GU03496200	LH support	1	
11	GU03496230	LH support	1	Color:80 Anniversary Red Frau 01-02[f.r]
12	GU98692318	Hex socket screw M6x18	2	
13	GU98064425	Screw	1	
14	GU03750600	Rear RH turn indicator	1	
14	GU03751631	RH front/LH rear turn indic.	1	Color:80 Anniversary Red Frau 01-02[f.r]
15	GU03750601	Rear LH turn indicator	1	
15	GU03751630	LH front/RH rear turn indic.	1	Color:80 Anniversary Red Frau 01-02[f.r]
16	GU93450127	Lamp 12V-10W	2	
17	GU31753765	Turn indicator lens	2	
18	GU98682314	Hex socket screw M6x14	2	
19	GU31743765	Horn H	1	
20	GU31743766	Horn L	1	
21	GU31744765	Horn mask	2	

Assembly	FRAME
Code	33.11
Description	Taillight
Revision	1



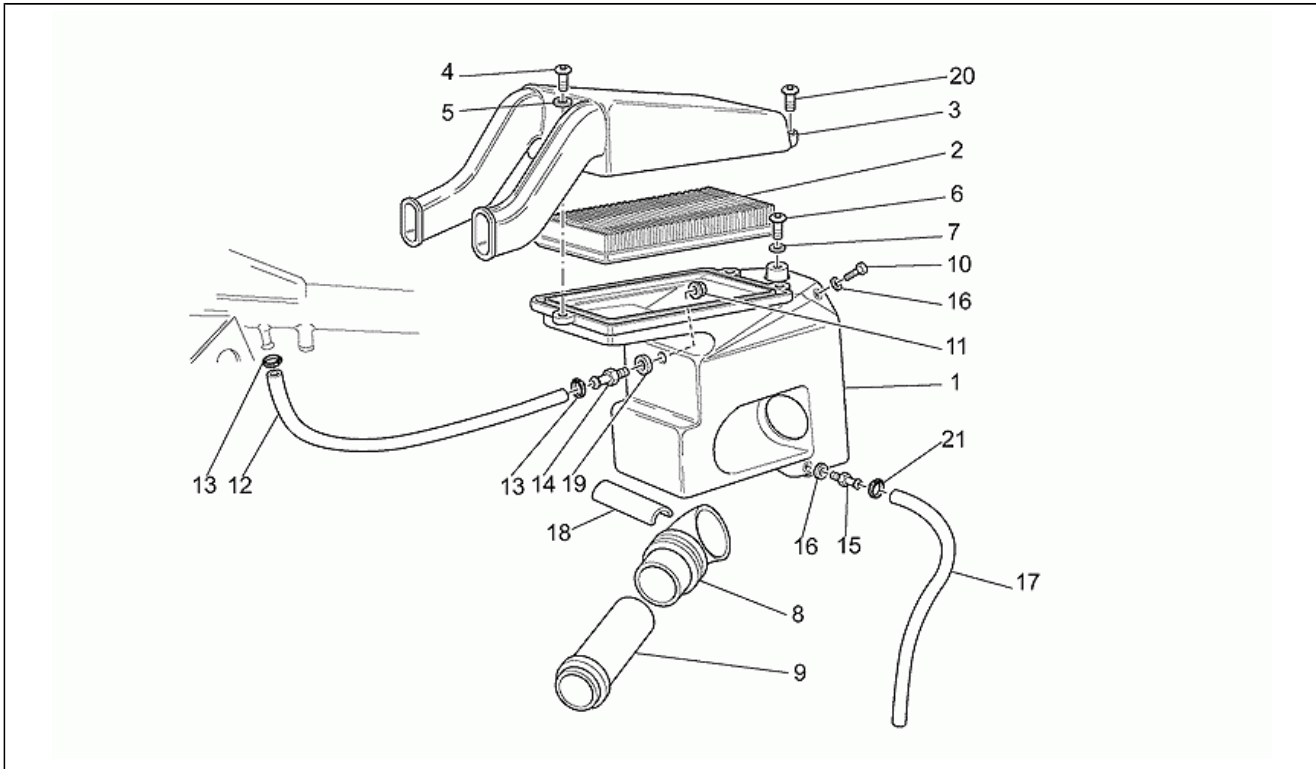
Pos.	Code	Description	Q.ty	Variants
1	GU03475811	Headlight holder white	1	Color:White 2001-2002[wh]
1	GU03475813	Headlight holder red vintage	1	Color:Vintage Red 2001-2002[v.r]
1	GU03475830	Headlight holder blank	1	Color:Blank[gr]
1	GU03475860	Headlight holder black	1	Color:Black 2001-2002[bl]
2	GU03475931	Support rubber part	1	
3	GU03751630	LH front/RH rear turn indic.	1	
4	GU98682320	Hex socket screw M6x20	2	
5	GU95001206	Washer	2	
6	GU92660600	Nut	2	
7	GU03751631	RH front/LH rear turn indic.	1	
8	GU93450127	Lamp 12V-10W	1	
9	GU31753765	Turn indicator lens	2	
10	GU03740930	Taillight	1	
11	GU98680150	Hex socket screw M4x50	2	
12	GU93450224	Lamp 12V/5-21W	2	
13	GU03741230	Bush	2	
14	GU93231604	Antivibration bush M4x7,9x12,7	2	
15	GU03742030	Bush	3	
16	GU03758411	Rear headlight assembly white	1	Color:White 2001-2002[wh]
16	GU03758413	Rear headlight assembly red	1	Color:Vintage Red 2001-2002[v.r]
16	GU03758460	Rear headlight assembly black	1	Color:Black 2001-2002[bl]
17	GU95008205	Washer 5,3x10x0,8	3	
18	GU01474630	Number plate holder	1	
19	GU03474530	Number plate holder support	1	
20	GU98350215	Hex socket screw M5x20	8	
21	GU93110060	Rubber spacer	1	
22	GU92650035	Flanged nut M5	5	
23	GU03438830	Plug	2	

Assembly	FRAME
Code	33.11
Description	Taillight
Revision	1



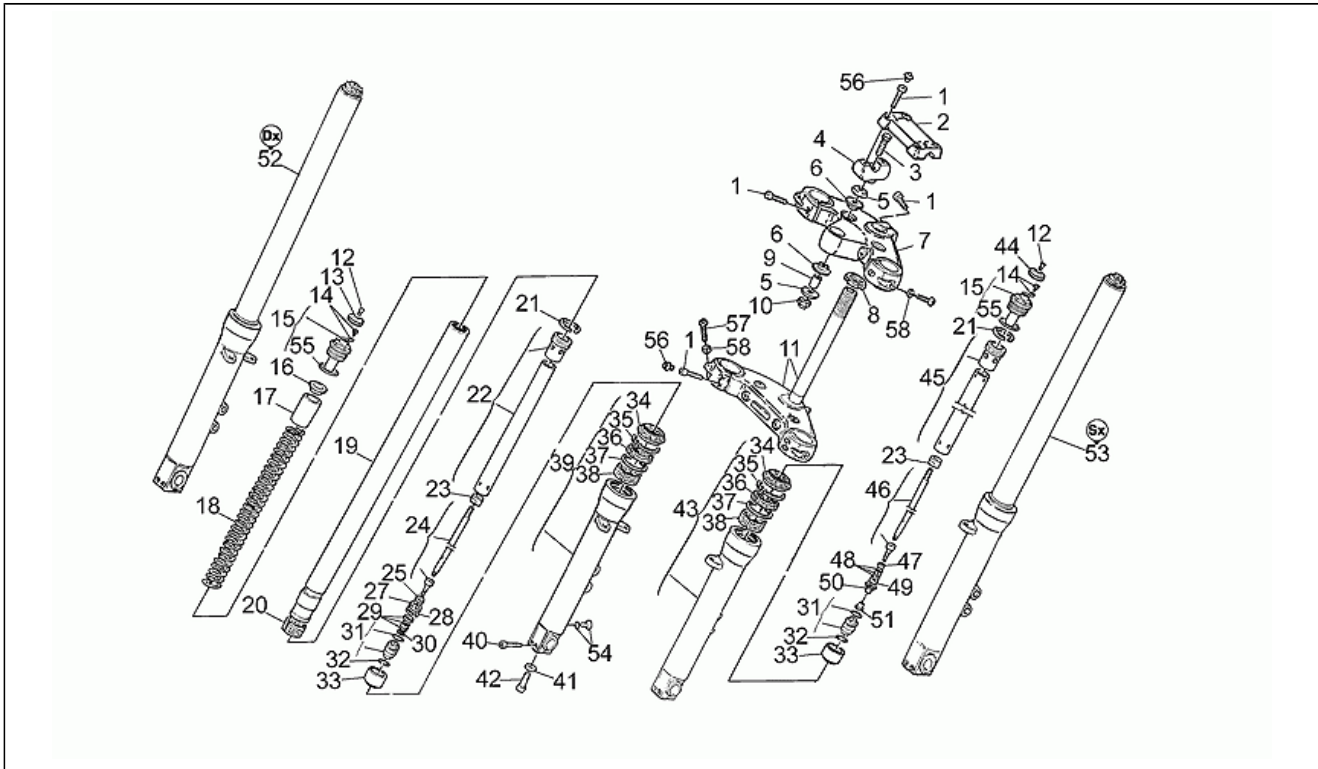
Pos.	Code	Description	Q.ty	Variants
24	GU03438831	Plug	1	
25	GU03475330	Support	1	
26	GU31745865	Reflector	1	
27	GU92650034	Nut	2	
28	GU03753130	Taillight wiring harn.	1	
29	GU14781570	Rear reflector, red	2	Country:Singapore[SGP], United States of America[USA]
30	GU14781870	Reflector support	2	Country:Singapore[SGP], United States of America[USA]

Assembly	FRAME
Code	33.12
Description	Air filter
Revision	1



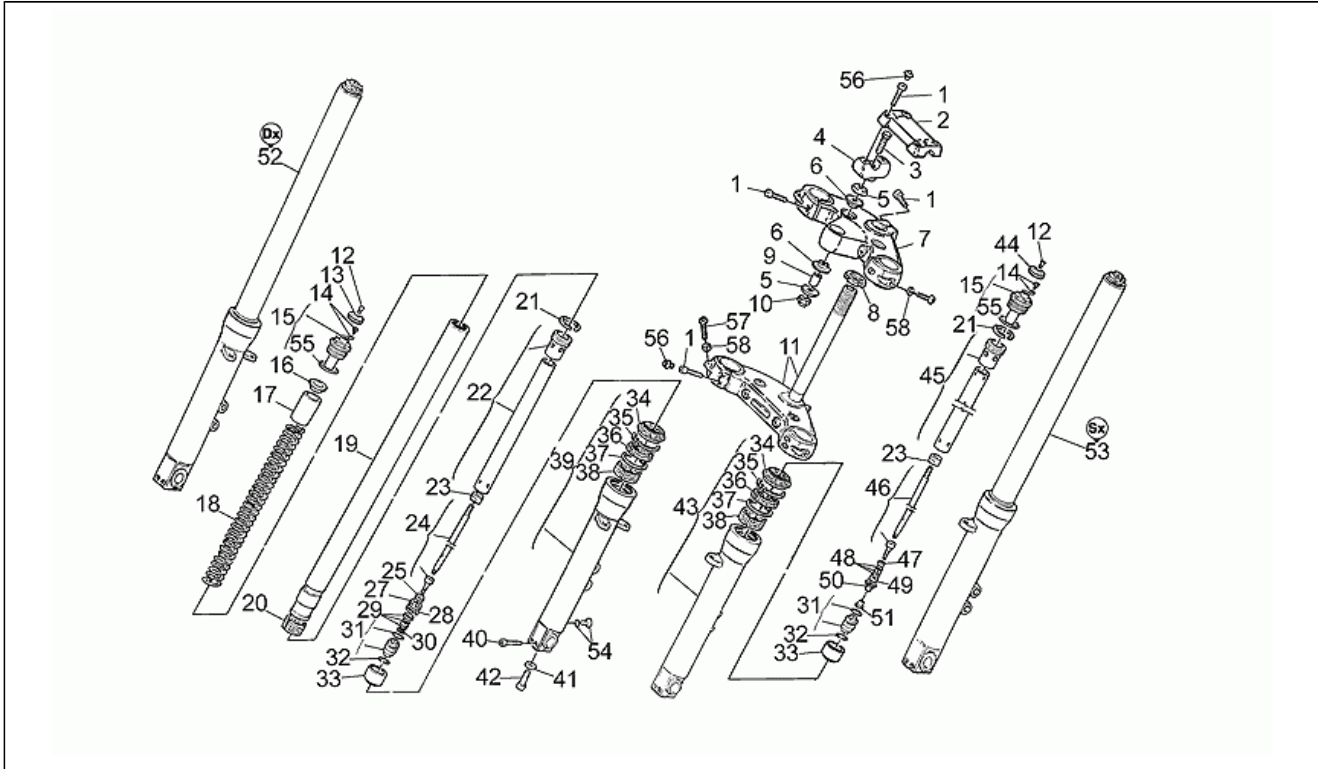
Pos.	Code	Description	Q.ty	Variants
1	GU30114060	Air box	1	
2	GU30113600	Air filter	1	
3	GU30113460	Filter cover	1	
4	GU98680230	Hex socket screw M5X30	1	
5	GU95000205	Washer	3	
6	GU98230612	Screw	1	
7	GU03013800	Washer 6,4x12	2	
8	GU30114660	Union	2	
9	GU30114560	Hand cone-type	2	
10	GU98350210	Hex socket screw M5X10	1	
11	GU92660209	Nut	1	
12	GU00823956080	Rubber pipe 12,5X7,8 5/16"	1	
13	GU93306017	Hose clamp	2	
14	GU29116960	Union	1	
15	GU29115860	Union	1	
16	GU90714053	Gasket	2	
17	GU00823944050	Pipe 5X9	1	
18	GU95985223	Rubber half-pipe	1	
19	GU90714082	Gasket	1	
20	GU98680225	Hex socket screw M5X25	2	
21	GU28157950	Hose clip 12,5x8	2	

Assembly	FRAME
Code	33.13
Description	Front fork
Revision	1



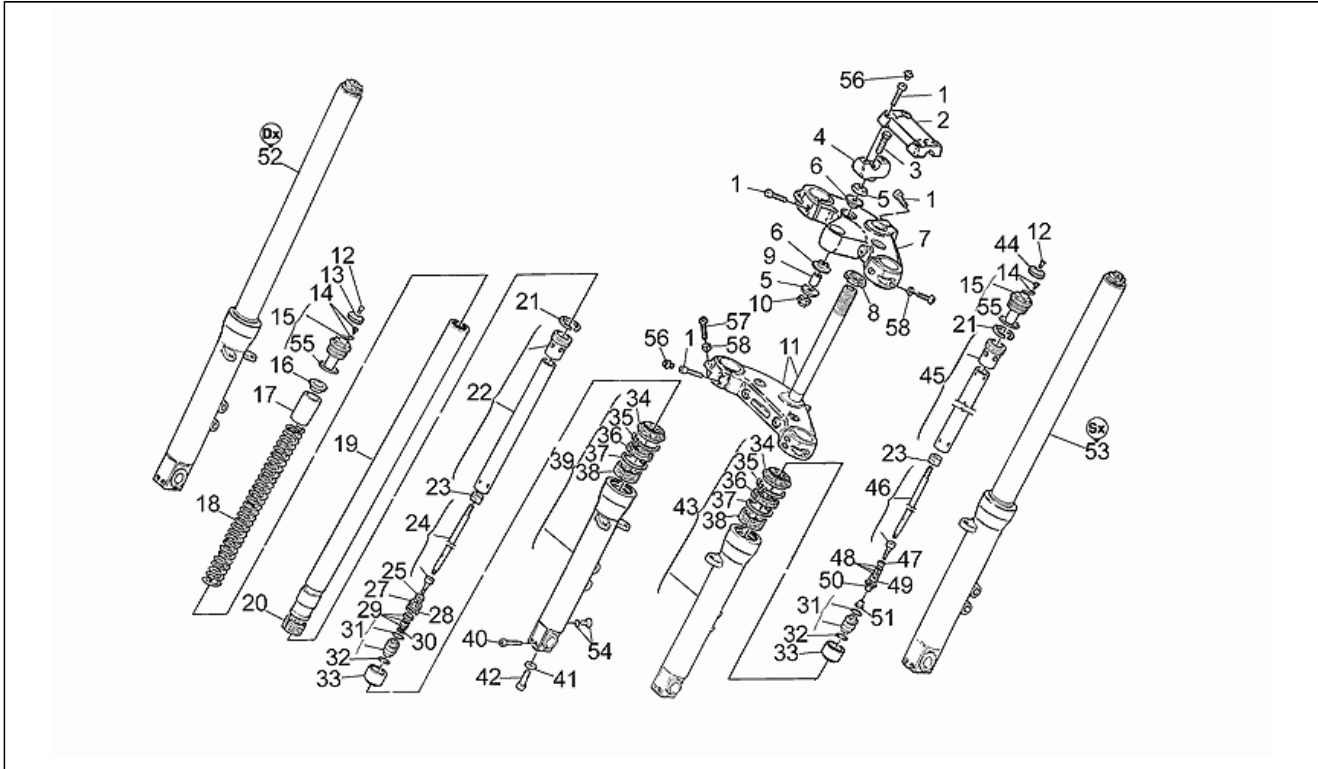
Pos.	Code	Description	Q.ty	Variants
1	GU98622430	Screw M8X30	11	
2	GU03500660	U-bolt	1	
3	GU98052560	Screw M10x60	2	
4	GU03500260	Lower U-bolt	4	
5	GU27530505	Cup	4	
6	GU27530503	Rubber spacer	4	
7	GU03493100	Fork upper plate	1	
8	GU03498100	Ring nut	1	
9	GU03530503	Spacer	2	
10	GU92630110	Nut M10X1,5	2	
11	GU03494000	Stem base	1	
12	GU03530504	Screw	2	
13	GU03530505	RH adjustment knob rebound	1	
14	GU03530506	Screw with OR	2	
15	GU03530507	Plug cpl.	2	
16	GU03530508	Cup	2	
17	GU03530509	Preload tube	2	
18	GU03526600	Spring	2	
19	GU03525400	Sleeve	2	
20	GU03530510	Lower bush	2	
21	GU03530511	Ring	2	
22	GU03530512	RH hub	1	
23	GU03530513	Return nut	2	
24	GU03530514	RH shock absorber	1	
25	GU03530515	Return spring	1	
27	GU03530516	RH piston rebound	1	
28	GU03530517	RH piston segmentrebound	1	
29	GU03530519	Calibration blade	5	

Assembly	FRAME
Code	33.13
Description	Front fork
Revision	1



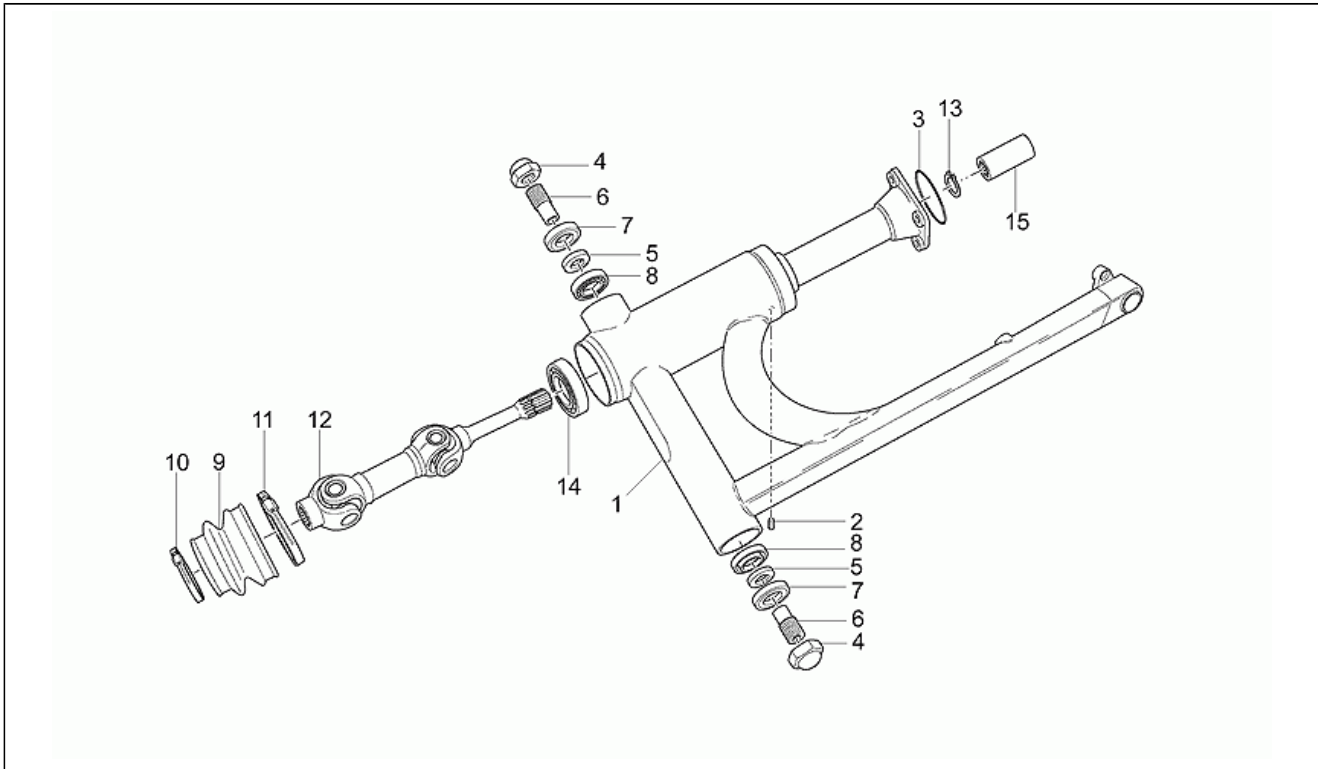
Pos.	Code	Description	Q.ty	Variants
30	GU03530520	Nut	1	
31	GU03530521	Stroke limit stop	2	
32	GU03530522	O-ring	2	
33	GU03530523	Adaptor	2	
34	GU03530524	Dust cover	2	
35	GU03530525	Stop ring	2	
36	GU03530526	Gasket ring	2	
37	GU03530527	Cup	2	
38	GU03530528	Upper bush	2	
39	GU03522501001	RH sleeve	1	
40	GU98620340	Screw	4	
41	GU03530529	Washer	2	
42	GU03530530	Screw M10x30	2	
43	GU03522601001	LH sleeve	1	
44	GU03530531	LH adjustment knob comp.	1	
45	GU03530532	LH hub	1	
46	GU03530533	LH shock absorber	1	
47	GU03530534	Cup	1	
48	GU03530535	Calibration blade 12 mm	1	
48	GU03530536	Calibration blade 15 mm	1	
48	GU03530537	Calibration blade 17 mm	1	
49	GU03530538	LH needle compression	1	
50	GU03530539	LH piston compression	1	
51	GU03530540	Nut	1	
52	GU03490601	RH hub cpl.	1	
53	GU03490701	LH hub cpl.	1	
54	GU30530521	Screw with OR	2	
55	GU30530561	O-ring	2	

Assembly	FRAME
Code	33.13
Description	Front fork
Revision	1



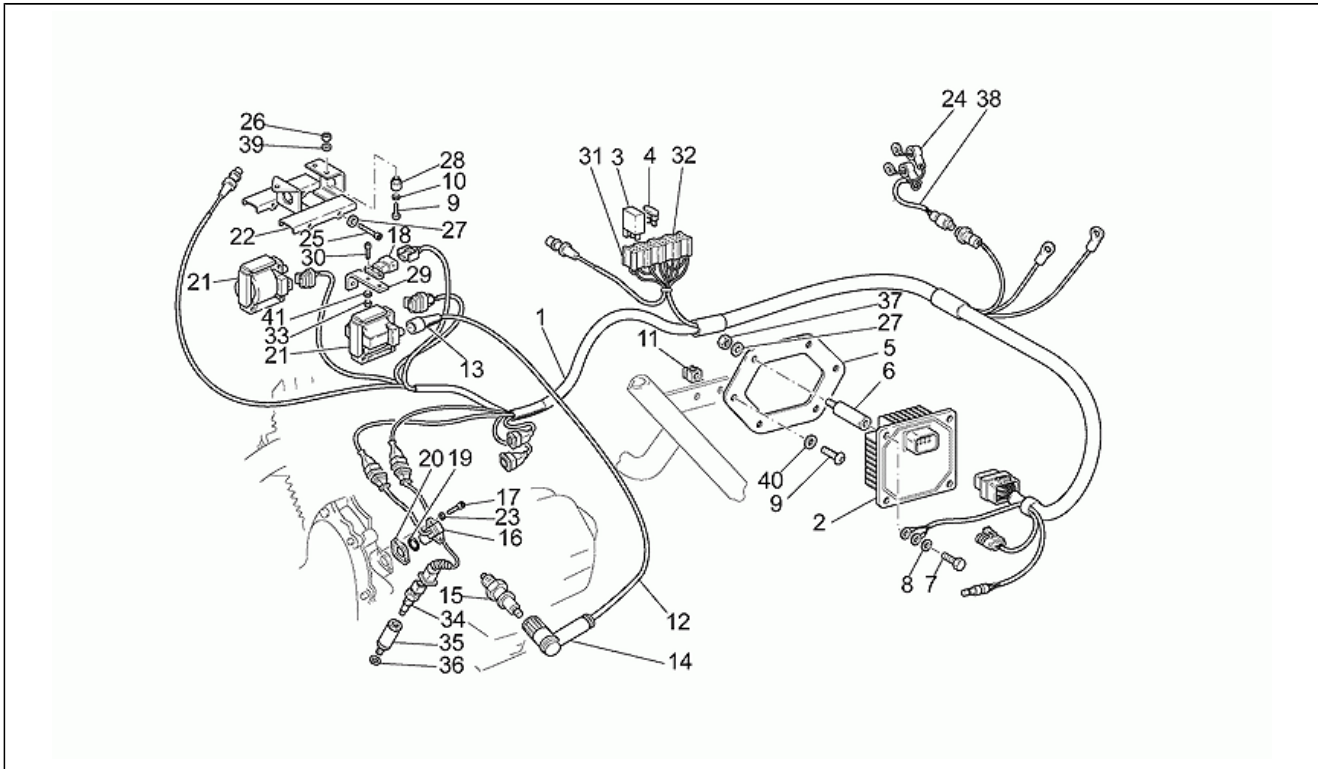
Pos.	Code	Description	Q.ty	Variants
56	GU23943410	Plug	8	
57	GU98230618	Screw	4	
58	GU95004206	Washer 6,15x11x0,8	4	

Assembly	FRAME
Code	33.14
Description	Swing arm
Revision	1



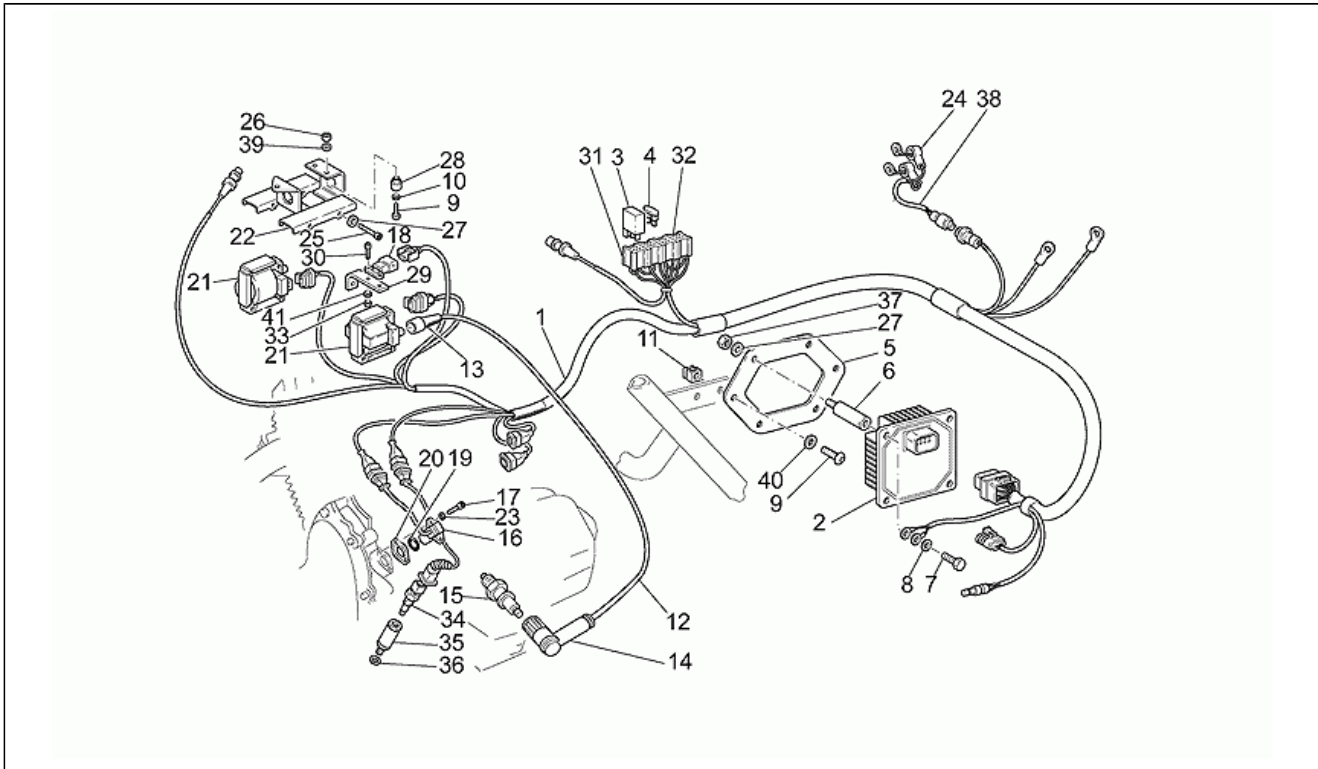
Pos.	Code	Description	Q.ty	Variants
1	GU03540250	Swing arm	1	
2	GU98460105	Dowel M5x6	1	
3	GU90706584	Gasket 58,42x2,62	1	
4	GU03547800	Cap nut	2	
5	GU12547200	Spacer	2	
6	GU30547060	Pin	2	
7	GU90403040	Gasket ring	2	
8	GU92249217	Bearing	2	
9	GU18548000	Protection collar	1	
10	GU93306050	Clamp 50x90x9	1	
11	GU93306070	Clamp 70x90x9	1	
12	GU03328050	Double joint	1	
13	GU90271020	Snap ring	2	
14	GU92204230	Ball bearing 30x62x16	1	
15	GU12327700	Hose	1	

Assembly	FRAME
Code	33.15
Description	Electrical system
Revision	1



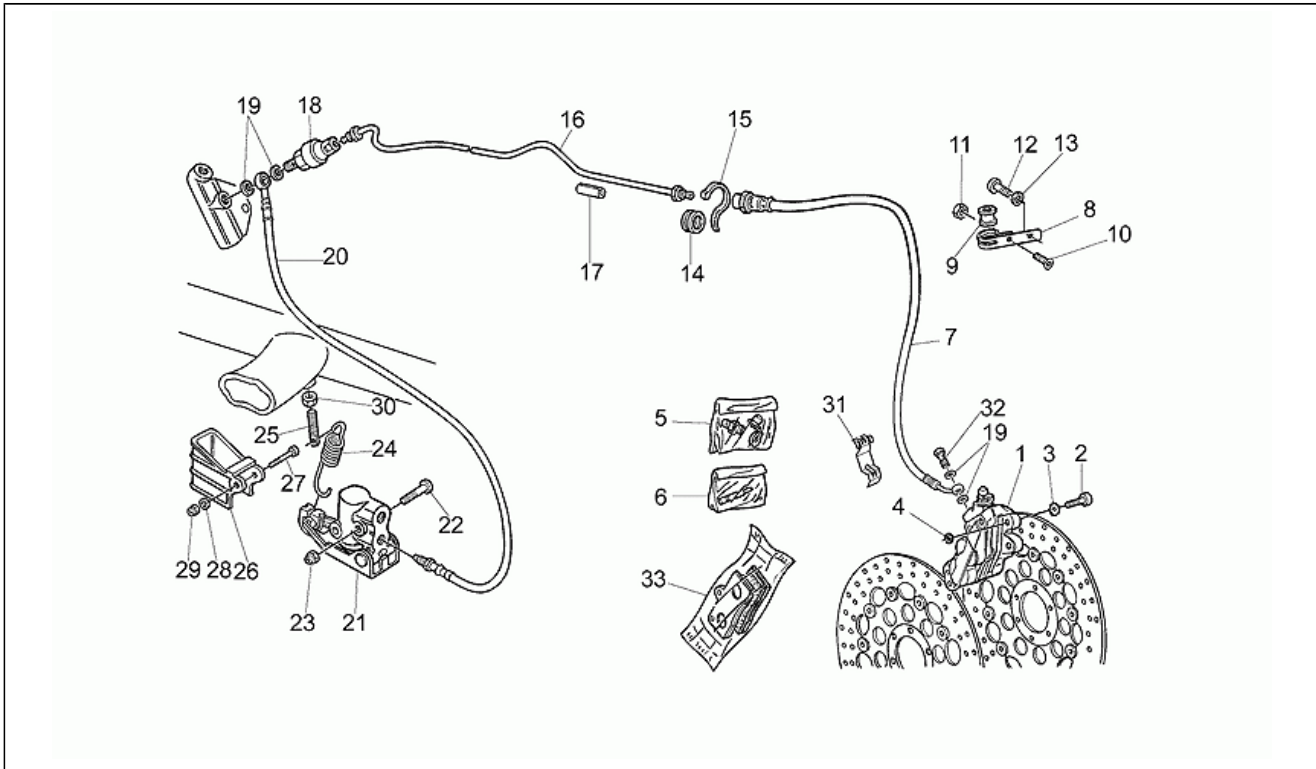
Pos.	Code	Description	Q.ty	Variants
1	GU03725830	Injection wiring	1	
2	GU03729531	CDI unit assy	1	
3	GU01732530	Relay Siemens A302B1005	2	
4	GU28742558	Fuse 5A	1	
4	GU28742559	Fuse 10A	1	
5	GU03729230	Plate	1	
6	GU93221330	Block	4	
7	GU98084110	Hex screw M4X10	4	
8	GU95008304	Washer	4	
9	GU98682310	Hex socket screw M6x10	5	
10	GU03013800	Washer 6,4x12	8	
11	GU92660601	Captive nut	2	
12	GU03718350	HT wire	2	
13	GU14717600	Cap	2	
14	GU03717450	Sparkplug cap	2	
15	GU30717061	Spark plug NGK BPR6ES	2	
16	GU01721600	Phase/revolution sensor	1	
17	GU98682212	Hex socket screw M5x12	2	
18	GU30729331	Air temp. Sensor	1	
19	GU90706141	O-ring	1	
20	GU01722700	Gasket 0,3mm	1	
20	GU01722701	Gasket 0,4mm	1	
20	GU01722702	Gasket 0,6mm	1	
20	GU01722703	Gasket 0,8mm	1	
20	GU01722704	Gasket 1mm	1	
20	GU01722705	Gasket 1,5mm	1	
20	GU29722760	Gasket 0,5 mm	1	
21	GU30716500	HT coil	2	

Assembly	FRAME
Code	33.15
Description	Electrical system
Revision	1



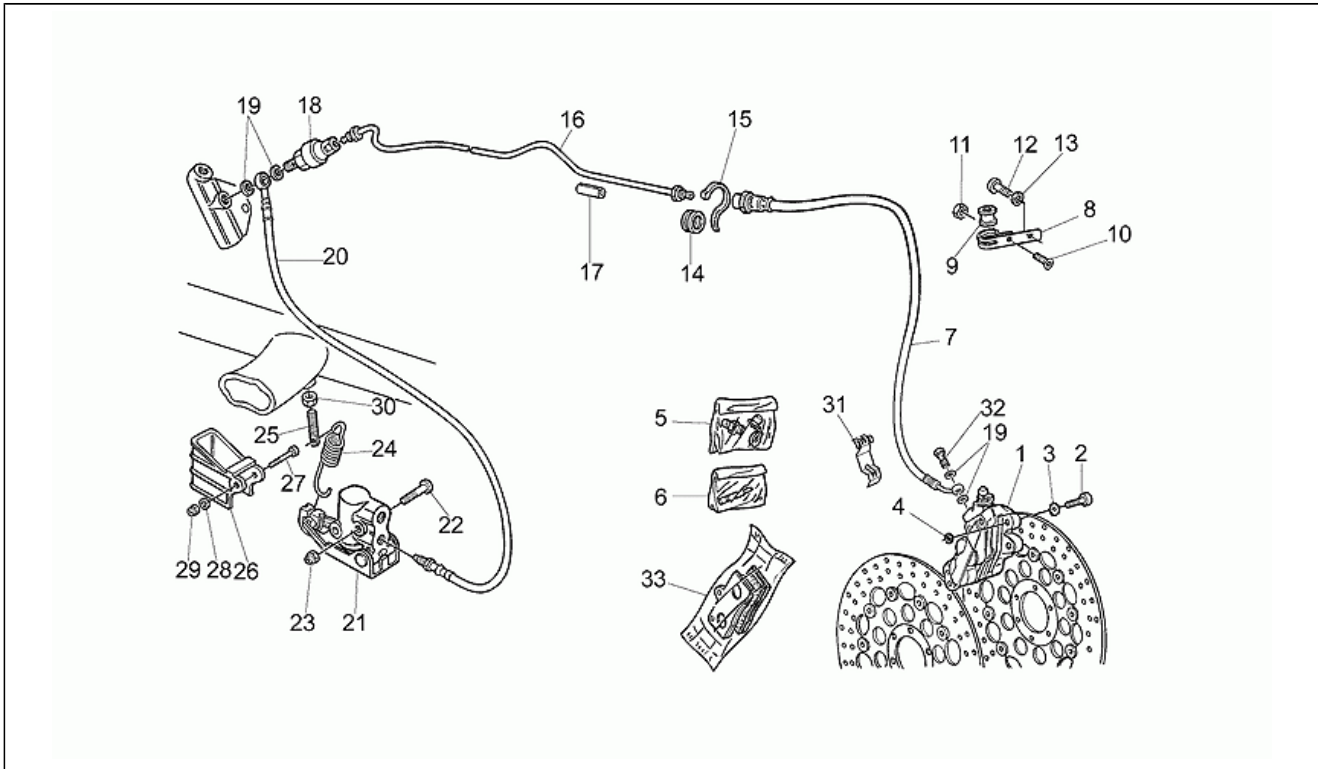
Pos.	Code	Description	Q.ty	Variants
22	GU28716748	Coil holder	1	
23	GU95008205	Washer 5,3x10x0,8	2	
24	GU30759600	Cap	2	
25	GU98682125	Hex socket screw M4X25	4	
26	GU92606206	Nut M6*	3	
27	GU95021204	Washer	8	
28	GU93222020	Silent-block	3	
29	GU30728230	Sensor support	1	
30	GU98680110	Hex socket screw M3x10	2	
31	GU30732200	Fuse holder box	1	
32	GU30732400	Relais support	2	
33	GU92606003	Nut M3	2	
34	GU29729461	Oil temperature sensor	1	
35	GU03163330	Sensor support	1	
36	GU95008210	Washer 10,2X18X2	4	
37	GU92630204	Nut	4	
38	GU03738500	Fuel pump wiring	1	
39	GU95008306	Washer 6,4x12x1,2	3	
40	GU92630206	Nut M6x1	2	
41	GU95120033	Washer 3,2x5,8x0,8	2	

Assembly	FRAME
Code	33.16
Description	Front brake system
Revision	1



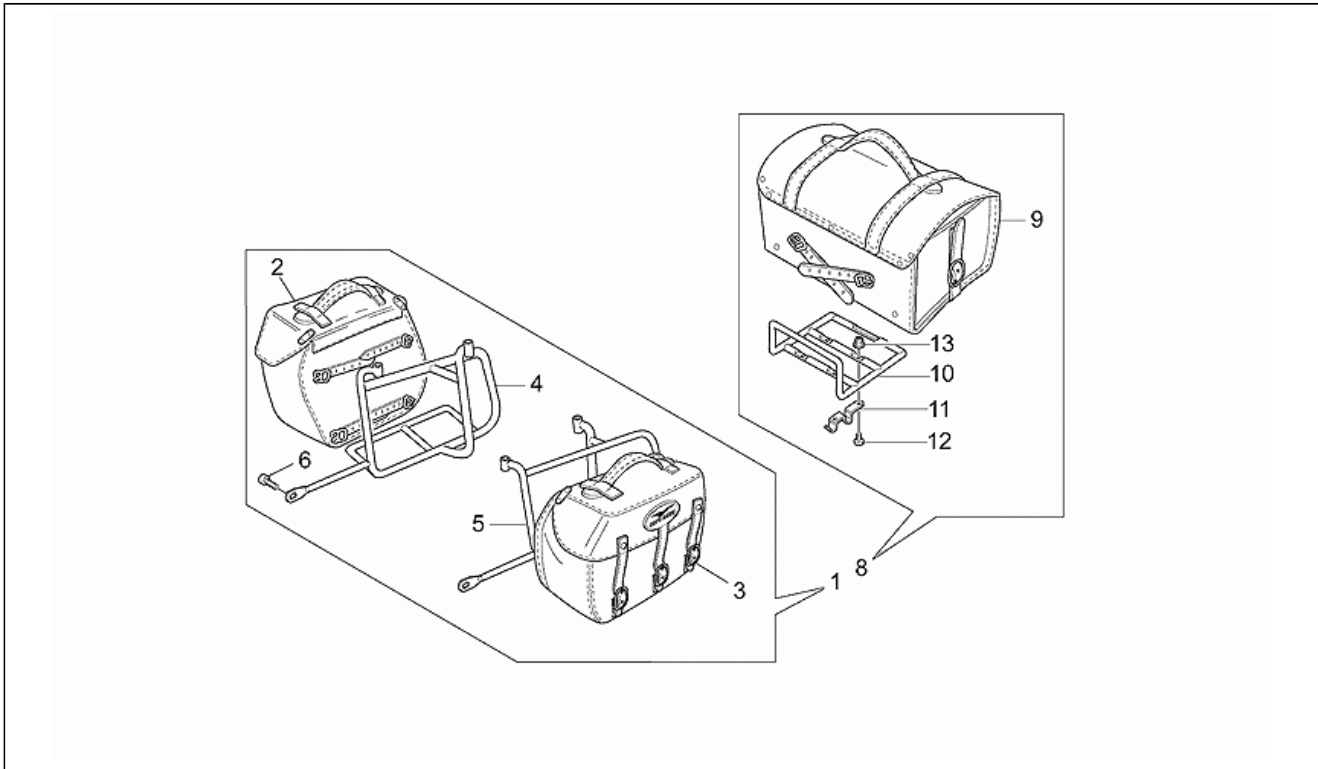
Pos.	Code	Description	Q.ty	Variants
1	GU01652230	LH Front brake caliper, gold	1	
2	GU98683530	Screw M10x30	2	
3	GU19149800	Washer 10,5x16x1	2	
4	GU95100332	Clearance washer 0,5 mm	1	
4	GU95100333	Clearance washer 0,8 mm	1	
5	GU01659230	Bleeder+cap	2	
6	GU01659130	Pins+Caliper springs	2	
7	GU03658801	Brake hose	1	
8	GU03658330	Hose clamp	1	
9	GU03658201	Ring	1	
10	GU98257410	Screw	1	
11	GU92630104	Nut M4x0,7	1	
12	GU98350315	Hex socket screw M6X14	1	
13	GU03013800	Washer 6,4x12	1	
14	GU91551120	Ring	1	
15	GU14609650	Hose clamp 3,6x20,6	1	
16	GU30658760	Pipe	1	
17	GU17659650	Piston ring	1	
18	GU03668500	Valve 4,5 bar	1	
19	GU25656100	Gasket	4	
20	GU03656200	Brake hose	1	
21	GU03668200	Braking correction device	1	
22	GU98350440	Screw	2	
23	GU92630108	Nut	2	
24	GU03668801	Spring	1	
25	GU03667300	Adjuster screw	1	
26	GU03668900	Spring protection	1	
27	GU98082250	Screw	1	

Assembly	FRAME
Code	33.16
Description	Front brake system
Revision	1



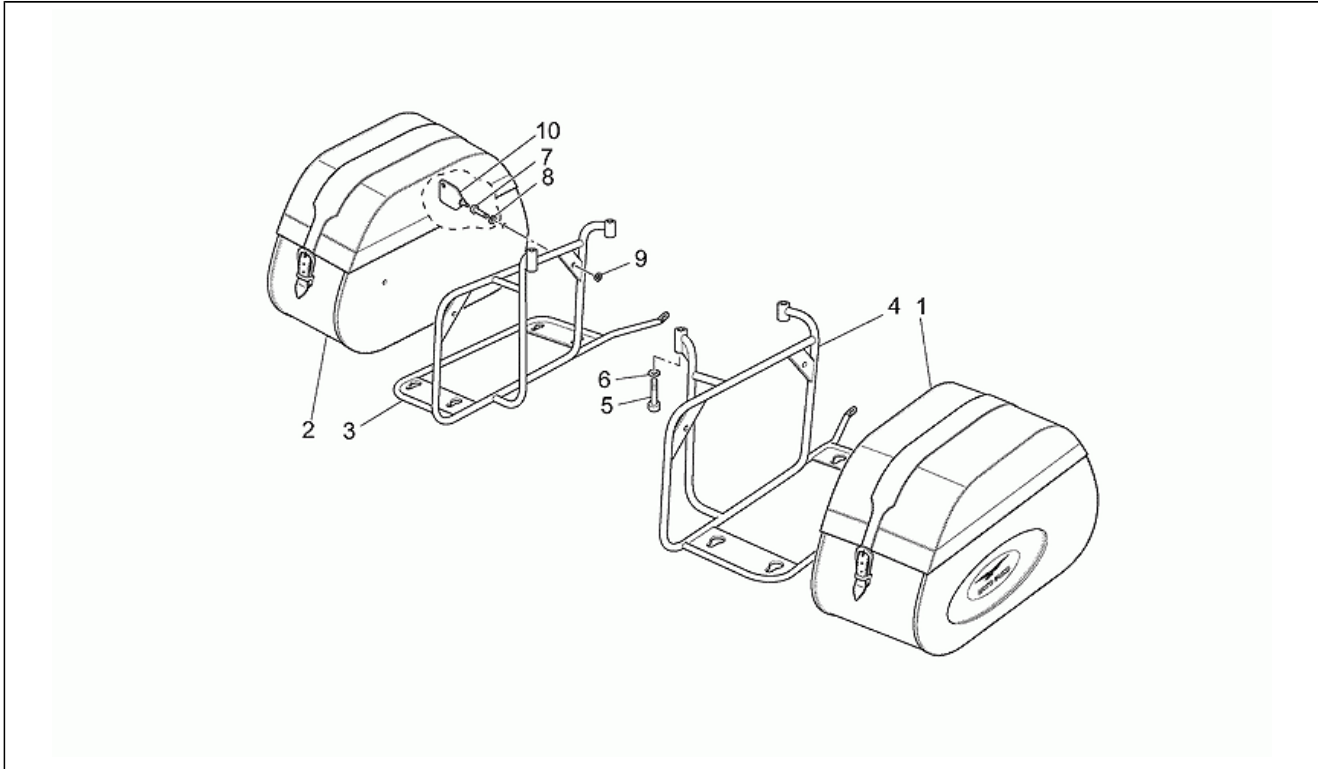
Pos.	Code	Description	Q.ty	Variants
28	GU95008205	Washer 5,3x10x0,8	2	
29	GU92630205	Nut	1	
30	GU92606408	Nut	1	
31	GU01659131	Spring	1	
32	GU95990028	Oil pipe screw *	2	
33	GU01654630	Pads pair	2	

Assembly	FRAME
Code	33.17
Description	Leather side cases
Revision	1



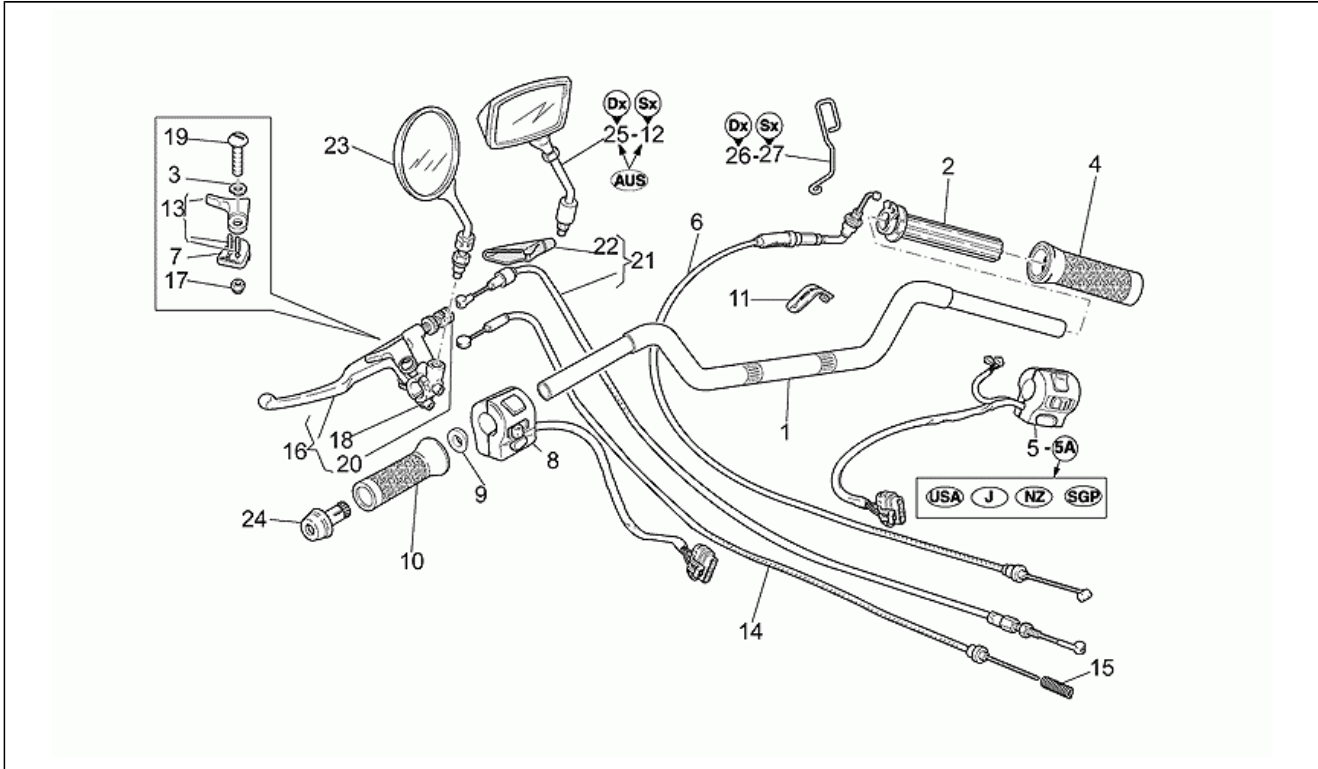
Pos.	Code	Description	Q.ty	Variants
1	GU03480058	Suitcase kit	1	
2	GU03482536	RH suitcase	1	
3	GU03485736	LH suitcase	1	
4	GU03485055	RH support	1	
5	GU03486555	LH support	1	
6	GU98690445	Screw M8X45	2	
8	GU03487530	Top box kit	1	
9	GU03487636	Top box	1	
10	GU31487765	Support plate	1	
11	GU03487802	Clamp	2	
12	GU98350320	Hex socket screw M6X20	4	
13	GU92660007	Flanged nut M6x9	4	

Assembly	FRAME
Code	33.18
Description	Frau leather side cases
Revision	1



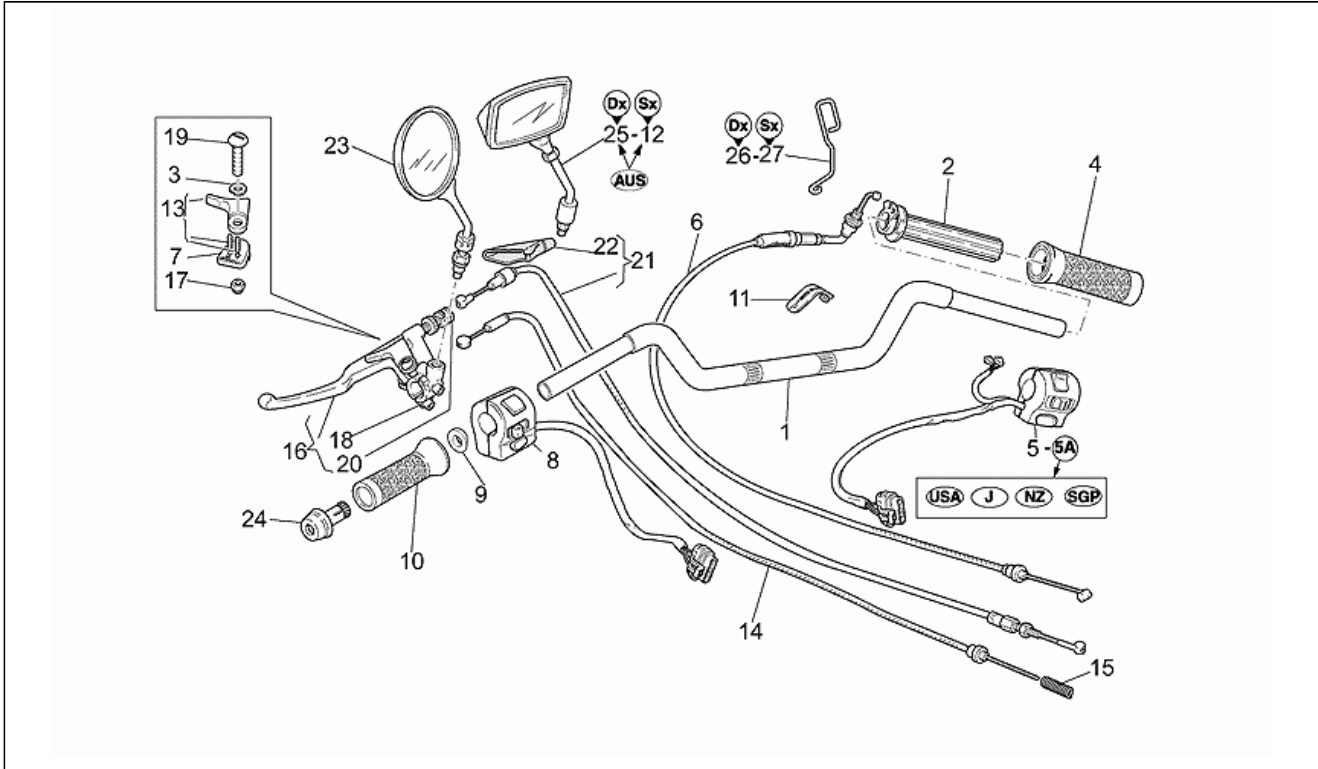
Pos.	Code	Description	Q.ty	Variants
1	GU03482515	RH suitcase	1	
2	GU03485715	LH suitcase	1	
3	GU03486515	LH support	1	
4	GU03485015	RH support	1	
5	GU98690450	Screw	4	
6	GU95008208	Washer 8,4X15X1,5	4	
7	GU03486915	Piston pin	4	
8	GU03486715	Washer	4	
9	GU66478610	Nylon washer 6X17X1	4	
10	GU03486315	Transmission key	1	

Assembly	FRAME
Code	33.19
Description	Handlebar - Controls
Revision	1



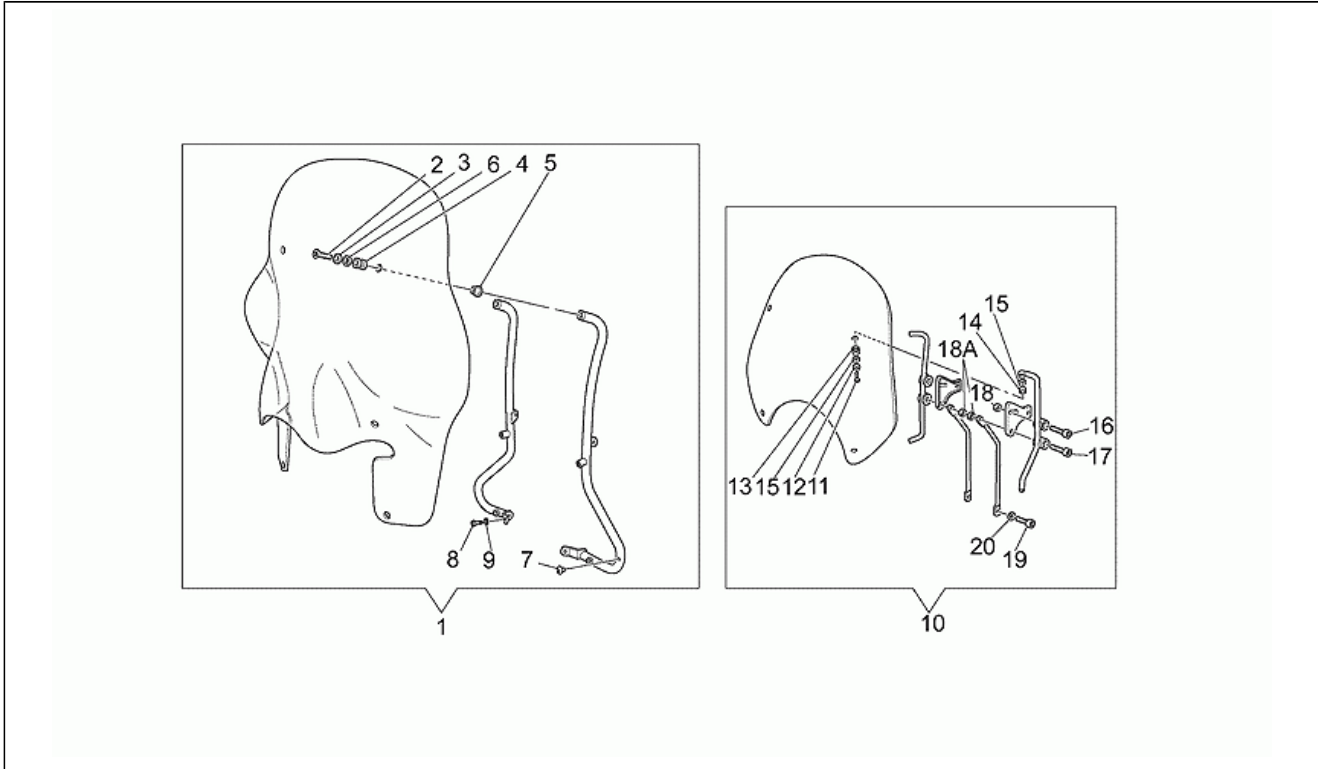
Pos.	Code	Description	Q.ty	Variants
1	GU03600310	Handlebar	1	
2	GU03603860	Throttle pipe w/out hand grip	1	
3	GU27530594	Washer	1	
4	GU03603315	RH hand grip	1	Color:80 Anniversary Red Frau 01-02[f.r]
4	GU03603560	RH hand grip	1	
5	GU03738845	RH lights selector	1	
5	GU03738846	RH lights selector	1	Country:Japan[J], New Zeland[NZ], Singapore[SGP], United States of America[USA]
6	GU03117545	Gas lever transmission	2	
7	GU27530595	Plate	1	
8	GU03738045	LH lights selector	1	
9	GU03604245	Bush	1	
10	GU03602915	LH hand grip	1	Color:80 Anniversary Red Frau 01-02[f.r]
10	GU03603060	LH hand grip	1	
11	GU01609630	Hose clamp L46 mm	2	
12	GU14769470	LH rearview mirror	1	Country:Australia[AUS]
13	GU27135215	Starter lever	1	
14	GU03132845	Choke cable	1	
15	GU94321070	Spring	1	
16	GU03605545	Clutch lever	1	
17	GU92602206	Nut	1	
18	GU30601060	Clump	1	
19	GU27604315	Lever pin	1	
20	GU30602500	Register	1	
21	GU03093045	Clutch cable	1	
22	GU27663815	Protection	1	
23	GU03769400	Rearview mirror	2	
24	GU03602760	Balancing	2	

Assembly	FRAME
Code	33.19
Description	Handlebar - Controls
Revision	1



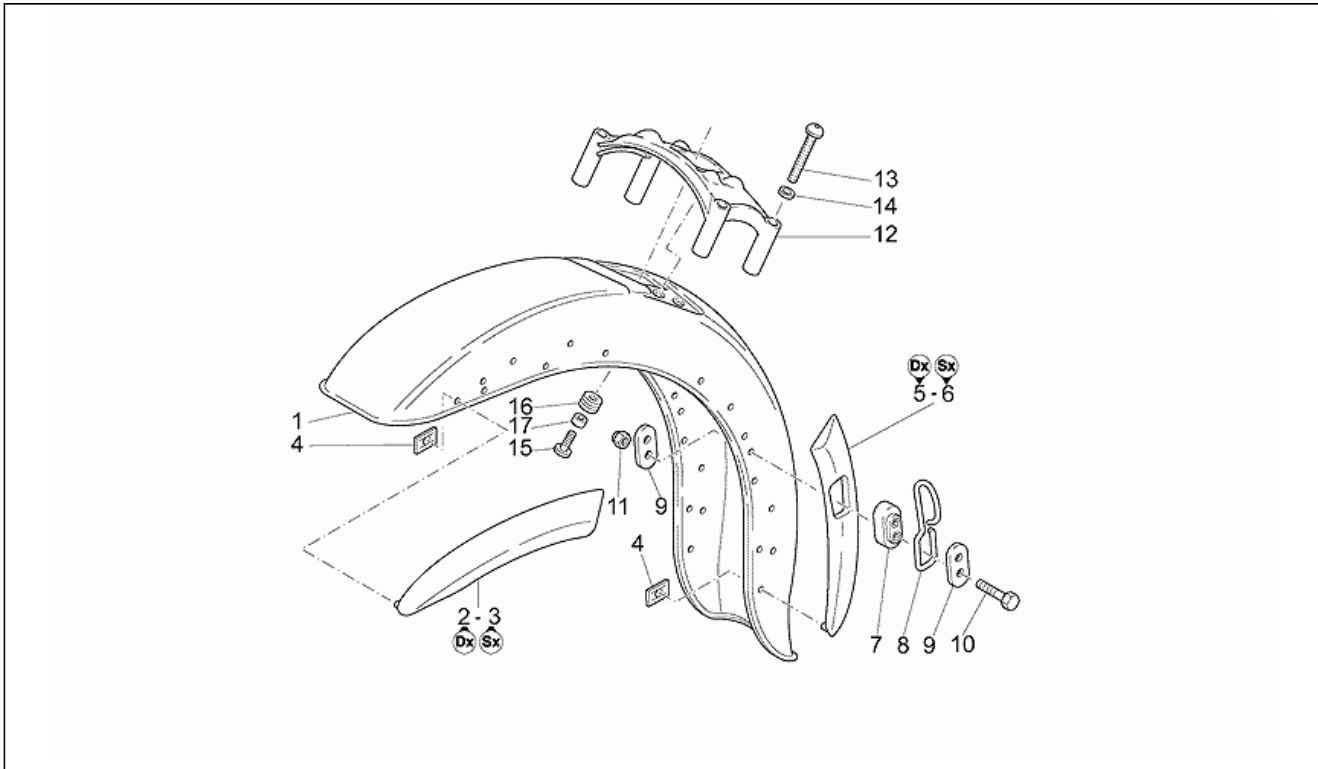
Pos.	Code	Description	Q.ty	Variants
25	GU14769870	RH rearview mirror	1	Country:Australia[AUS]
26	GU03669000	RH eyelet for trans.guide	1	
27	GU03669001	LH eyelet for trans.guide	1	

Assembly	FRAME
Code	33.20
Description	Windscreen
Revision	1



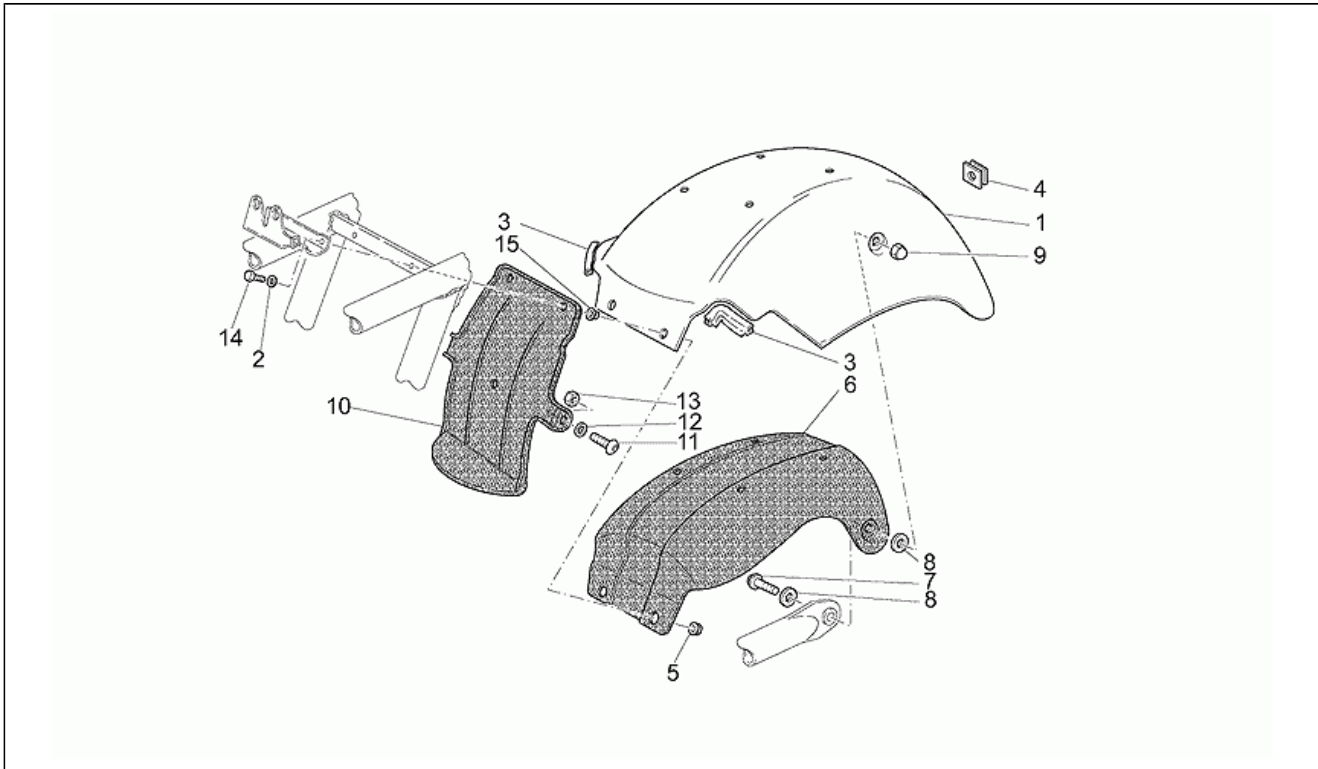
Pos.	Code	Description	Q.ty	Variants
1	GU03575100	Windscreen cpl. Big	1	
1	GU03575101	Windscreen cpl. Big	1	
2	GU98270620	Screw	6	
3	GU03530543	Washer	6	
4	GU03530546	Silent-block	6	
5	GU03530545	Spacer	6	
6	GU03530544	Washer	6	
7	GU03530542	Plug	2	
8	GU98622316	Hex socket screw M6X16	2	
9	GU95000206	Washer	2	
10	GU03575102	Windscreen cpl. Small	1	
11	GU98270620	Screw	4	
12	GU03530543	Washer	4	
13	GU03530546	Silent-block	4	
14	GU03530545	Spacer	4	
15	GU03530544	Washer	8	
16	GU98622420	Screw	2	
17	GU98622425	Hex socket screw M8X25	2	
18	GU92602208	Nut M8X1,25	3	
18	GU92602408	Nut	1	
19	GU98622316	Hex socket screw M6X16	4	
20	GU95000206	Washer	4	

Assembly	FRAME
Code	33.21
Description	Front mudguard
Revision	1



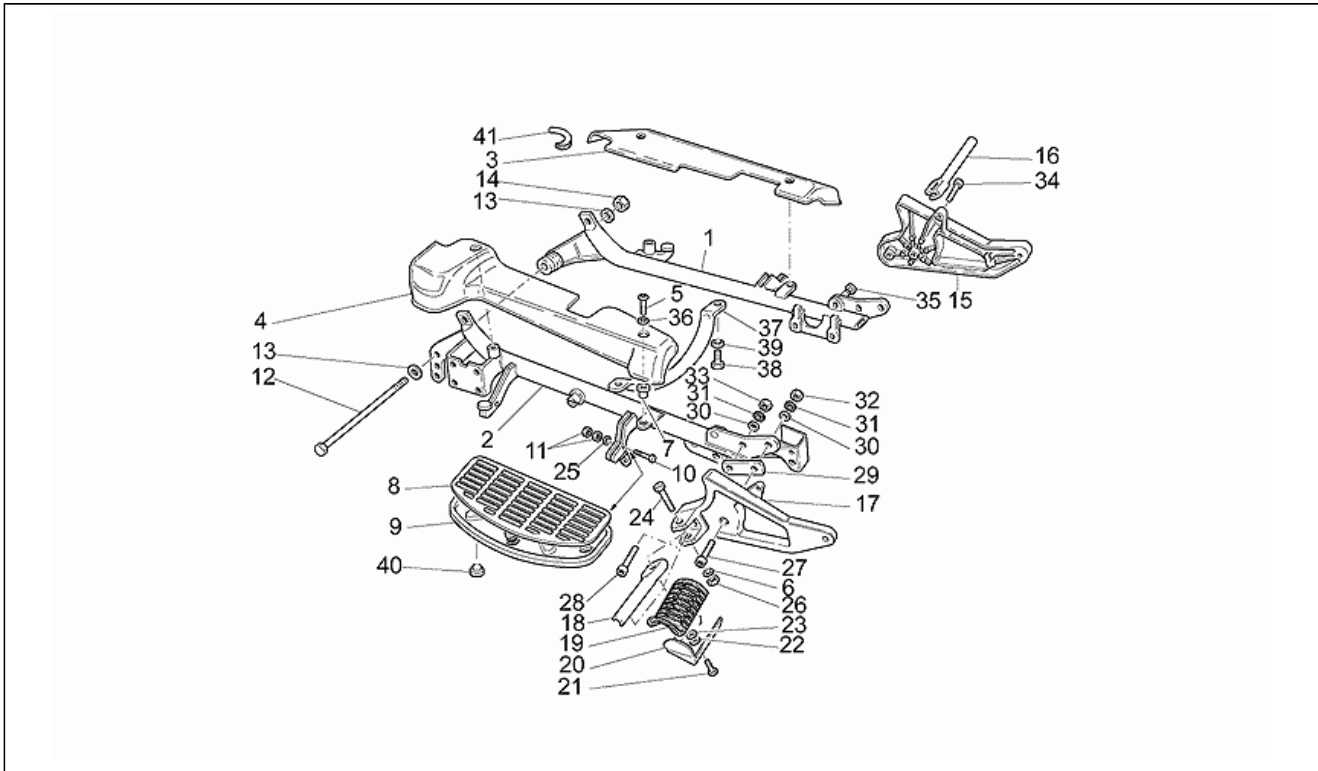
Pos.	Code	Description	Q.ty	Variants
1	GU03434300	Front mudguard blank	1	Color:Blank[gr]
1	GU03434311	Front mudguard, white	1	Color:White 2001-2002[wh]
1	GU03434313	Front mudguard red vintage	1	Color:Vintage Red 2001-2002[v.r]
1	GU03434360	Front mudguard, black	1	Color:Black 2001-2002[bl]
2	GU03435200	Front RH side profile ch.plate	1	
3	GU03435400	Front LH side profile ch.plate	1	
4	GU39922200	Plate	28	
5	GU03435300	Rear RH side profile ch.plate	1	
6	GU03435500	Rear LH side profile ch.plate	1	
7	GU03436400	Rubber spacer	1	
8	GU03436500	Cable-guide	1	
9	GU03436300	Plate	2	
10	GU98082225	Hex screw M5x25	2	
11	GU92787205	Cap nut M5x0,8	2	
12	GU03436600	Stabilization plate	1	
13	GU98370850	Hex socket screw M8x50	4	
14	GU95005308	Washer 8,4x14,57x1,6	4	
15	GU98350322	Screw	4	
16	GU91551010	Rubber spacer	4	
17	GU30576100	Spacer D.6,5	4	

Assembly	FRAME
Code	33.22
Description	Rear mudguard
Revision	1



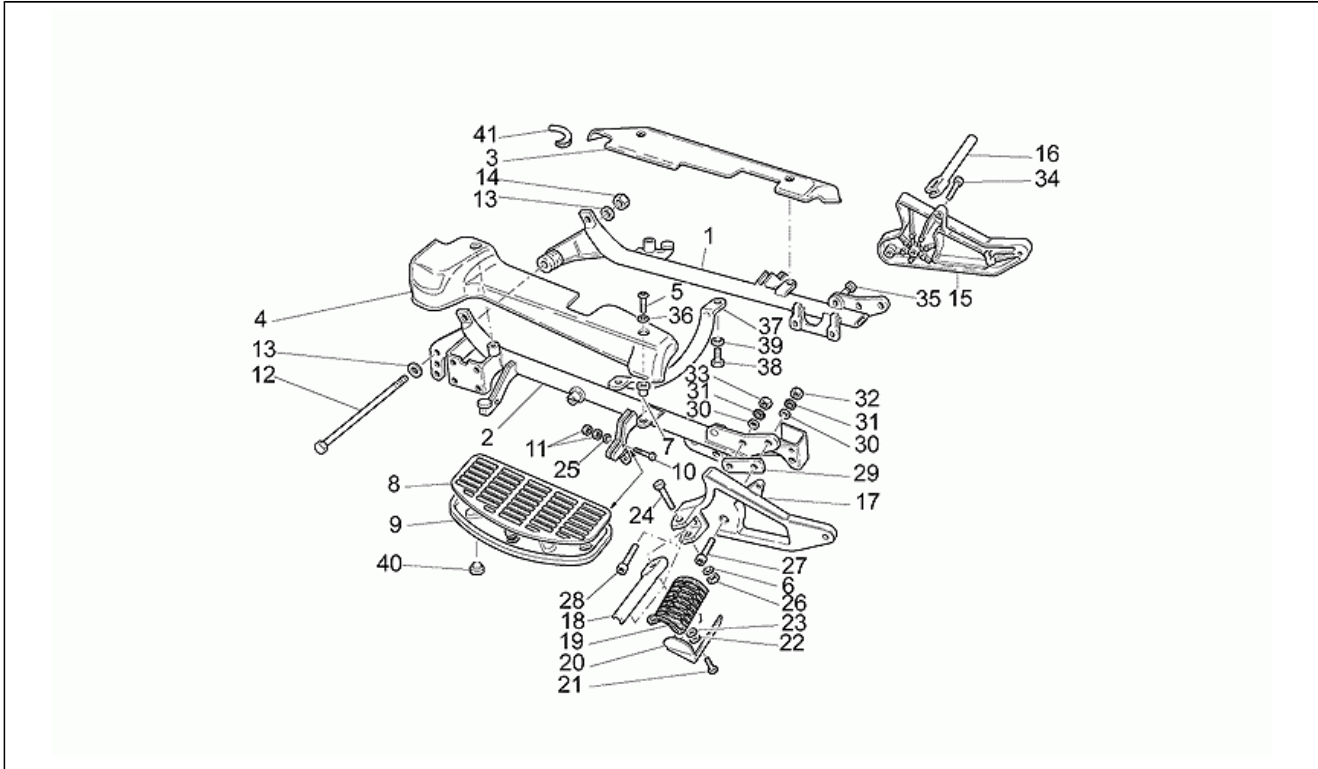
Pos.	Code	Description	Q.ty	Variants
1	GU03437110	Rear mudguard blank	1	Color:Blank[gr]
1	GU03437111	Rear mudguard, white	1	Color:White 2001-2002[wh]
1	GU03437112	Rear mudguard, black	1	Color:Black 2001-2002[bl]
1	GU03437113	Rear mudguard red vintage	1	Color:Vintage Red 2001-2002[v.r]
2	GU95008206	Washer 6,15x11x0,8	2	
3	GU00155930171	Gasket	1	
4	GU91551099	Rubber spacer	1	
5	GU92650036	Flanged nut M6	2	
6	GU03437430	U-bolt under rear mudguard	1	
7	GU98223835	Screw w/ flange	2	
8	GU95005312	Washer 8,5x24x2	4	
9	GU92787008	Cap nut M8x1,25	2	
10	GU03438030	Splash guard	1	
11	GU98350325	Hex socket screw M6x22	2	
12	GU95008206	Washer 6,15x11x0,8	2	
13	GU92630107	Nut	2	
14	GU98350325	Hex socket screw M6x22	2	
15	GU03578730	Spacer	2	

Assembly	FRAME
Code	33.23
Description	Foot rests
Revision	1



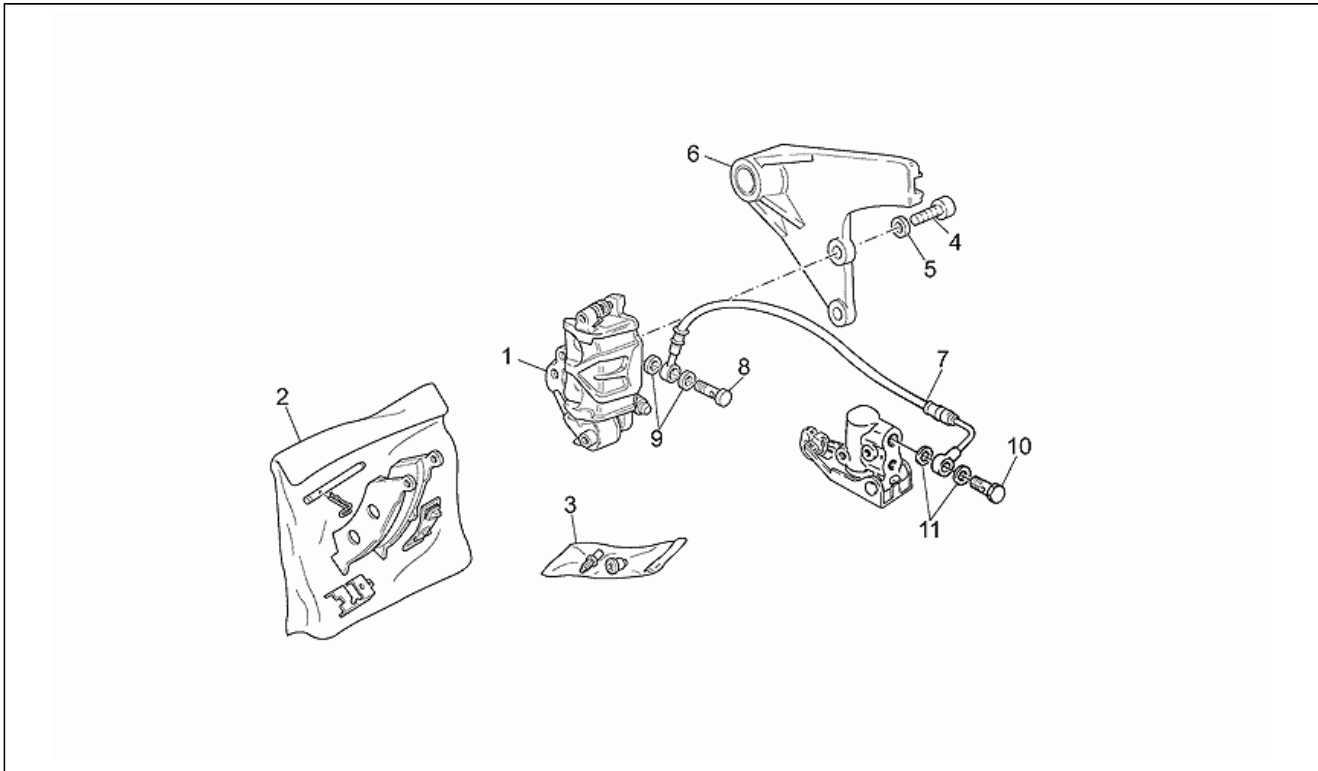
Pos.	Code	Description	Q.ty	Variants
1	GU03420300	RH cradle arm	1	
2	GU03422100	LH cradle arm	1	
3	GU03446930	RH cover chromium plated	1	
4	GU03447410	LH cover chromium plated	1	
5	GU98370621	Hex socket screw M6x20	5	
6	GU95008208	Washer 8,4X15X1,5	2	
7	GU93231606	Antivibration bush M6	5	
8	GU30447060	Mat	2	
9	GU29443501	Foot rest	2	
10	GU98082430	Hex screw M8x30	4	
11	GU92630108	Nut	4	
12	GU03429500	Pin	1	
13	GU95008517	Washer	2	
14	GU92606312	Nut M12x1,25	1	
15	GU03443510	RH footrest support	1	
16	GU23440710	RH front foot rest pipe	1	
17	GU03446010	LH footrest support	1	
18	GU23441810	LH front foot rest pipe	1	
19	GU23443210	Rubber pedal	2	
20	GU23441210	Plate	2	
21	GU98084314	Hex screw M6X14	2	
22	GU03013800	Washer 6,4x12	2	
23	GU91180602	Spacer	2	
24	GU03442200	Screw	2	
25	GU03270300	Washer 8,4x15	6	
26	GU92640508	Nut M8	2	
27	GU98683635	Screw M12X35	1	
28	GU98681650	Screw	2	

Assembly	FRAME
Code	33.23
Description	Foot rests
Revision	1



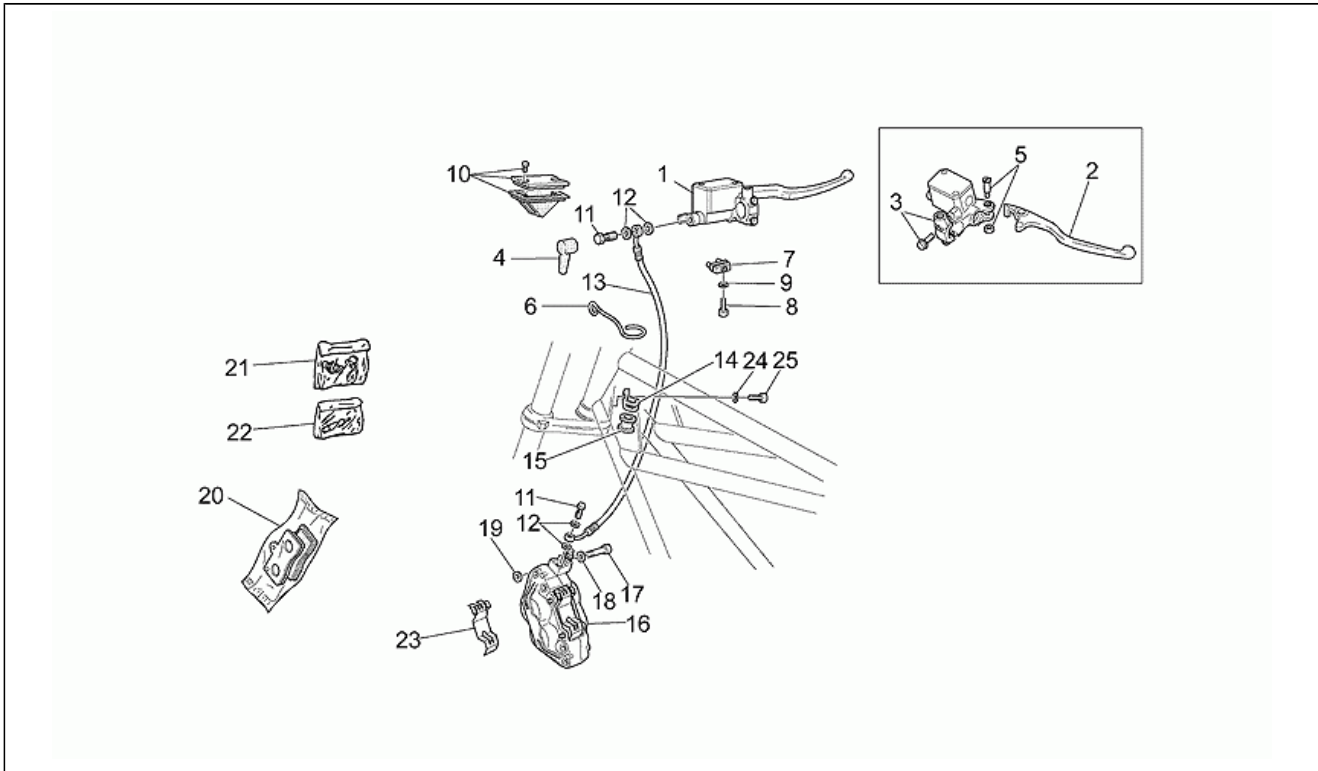
Pos.	Code	Description	Q.ty	Variants
29	GU17444250	Plate	2	
30	GU95100414	Washer	4	
31	GU95022112	Notched washer	4	
32	GU92606512	Low nut M12x1,25	1	
33	GU92602312	Nut	3	
34	GU98683640	Screw M12X40	1	
35	GU93180245	Plug	1	
36	GU95005306	Washer 6,4x13x1,5	5	
37	GU30425260	Cradle arms conn.crosspiece	1	
38	GU98350522	Screw	2	
39	GU95022110	Notched washer	2	
40	GU29447150	Drift	4	
41	GU00823931055	Gasket	1	

Assembly	FRAME
Code	33.24
Description	Rear brake caliper
Revision	1



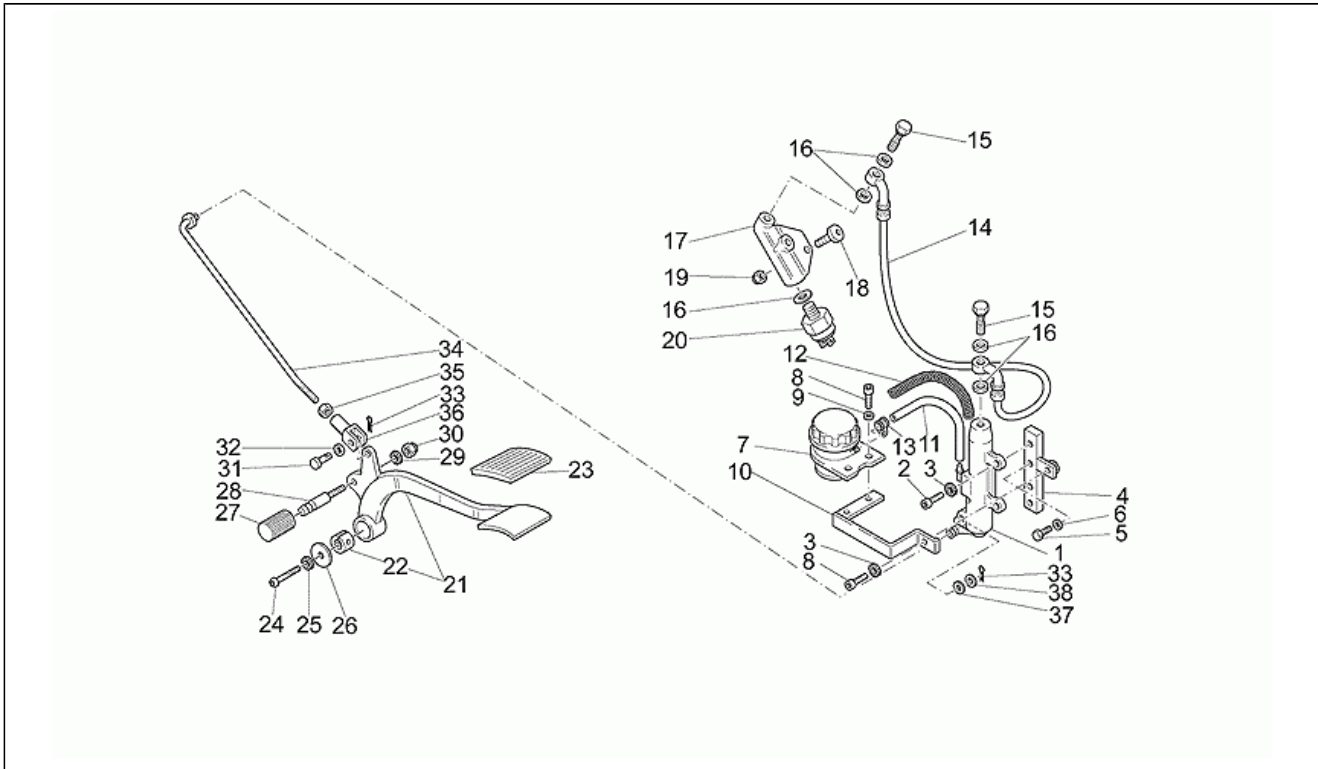
Pos.	Code	Description	Q.ty	Variants
1	GU03653001	Rear brake caliper, gold	1	
2	GU03654600	Pads kit	1	
3	GU31659260	Bleeder+cap BREMBO D.10	2	
4	GU98682525	Screw	2	
5	GU19149800	Washer 10,5x16x1	2	
6	GU03635810	Brake hanger plate	1	
7	GU03657500	Brake hose	1	
8	GU95990028	Oil pipe screw *	1	
9	GU25656100	Gasket	2	
10	GU95990040	Bored screw	1	
11	GU12006400	Gasket 12,25	2	

Assembly	FRAME
Code	33.25
Description	Front master cilinder
Revision	1



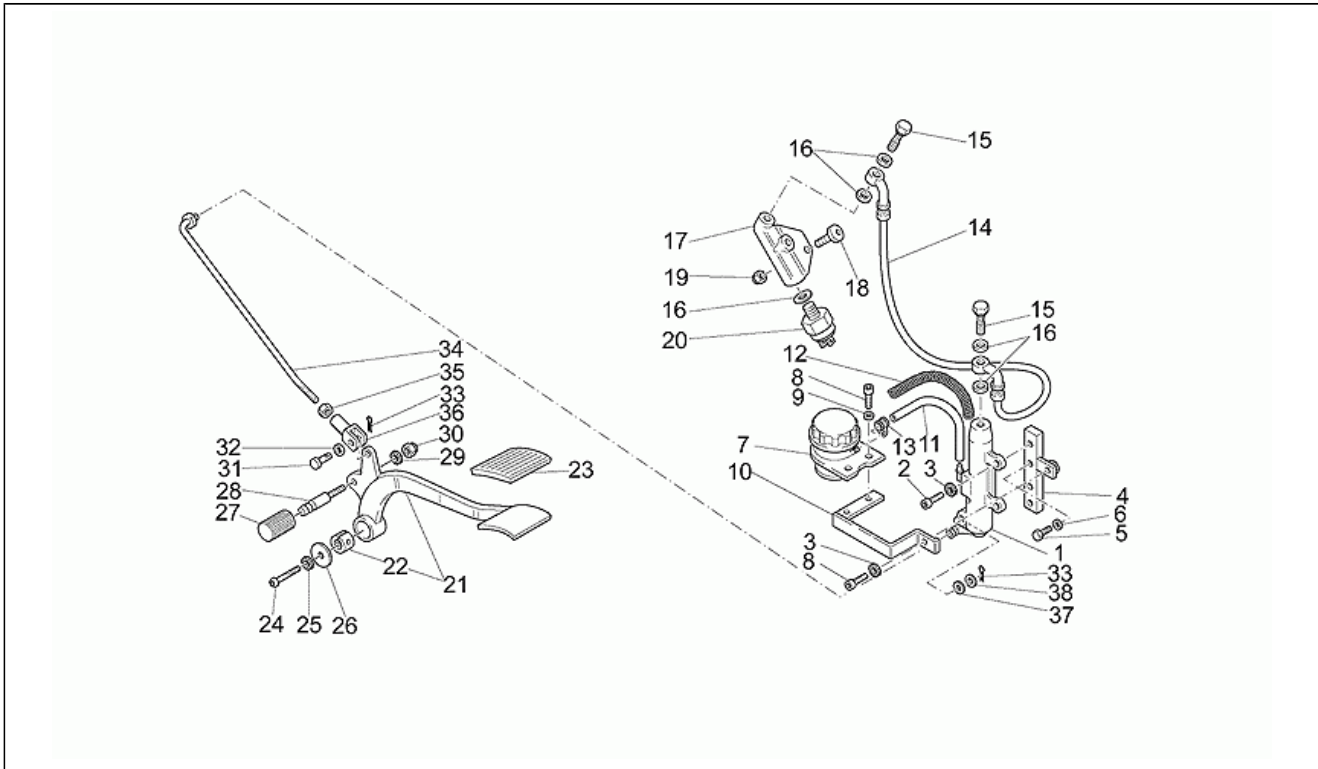
Pos.	Code	Description	Q.ty	Variants
1	GU03660145	Front master cilinder	1	
2	GU03605645	Brake lever	1	
3	GU03664045	U-bolt	1	
4	GU39663801	Cap	1	
5	GU03604845	Lever pin	1	
6	GU03659700	Cable-guide	1	
7	GU03749845	Brake light switch	1	
8	GU98230412	Screw	1	
9	GU95021104	Washer 4,3x8x1,5	1	
10	GU03661145	Pump cover	1	
11	GU95990028	Oil pipe screw *	2	
12	GU25656100	Gasket	2	
13	GU03657101	Flexible pipe	1	
14	GU03658430	Hose clamp	1	
15	GU03658201	Ring	1	
16	GU01652330	RH Front brake caliper, gold	1	
17	GU98683530	Screw M10x30	2	
18	GU19149800	Washer 10,5x16x1	2	
19	GU95100332	Clearance washer 0,5 mm	1	
19	GU95100333	Clearance washer 0,8 mm	1	
20	GU01654630	Pads pair	1	
21	GU01659230	Bleeder+cap	1	
22	GU01659130	Pins+Caliper springs	1	
23	GU01659131	Spring	1	
24	GU95008206	Washer 6,15x11x0,8	1	
25	GU98230618	Screw	1	

Assembly	FRAME
Code	33.26
Description	Rear master cylinder
Revision	1



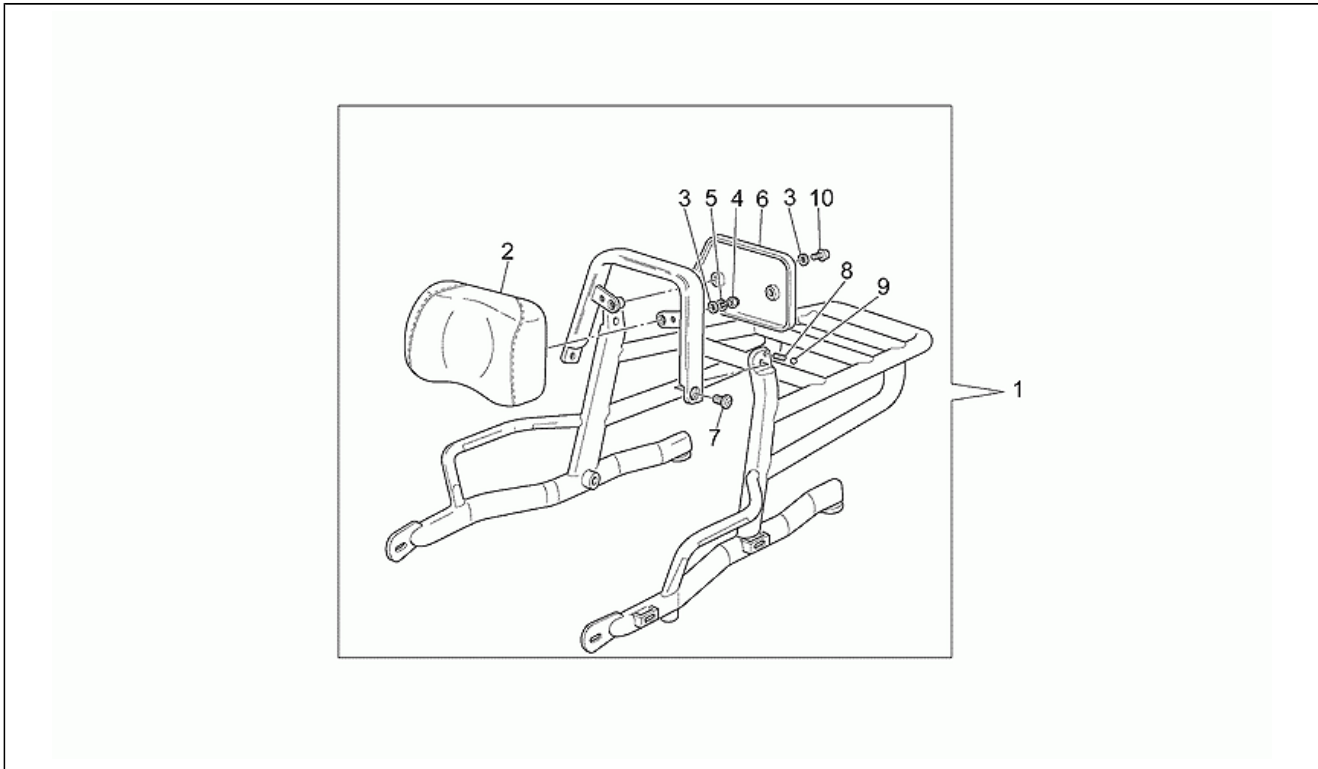
Pos.	Code	Description	Q.ty	Variants
1	GU30666960	Rear master cylinder	1	
2	GU98622325	Hex socket screw M6X25	2	
3	GU14217901	Washer 6,4x10x0,7	3	
4	GU30666760	Support plate	1	
5	GU98084412	Screw	2	
6	GU14615901	Washer 8,4X13X0,8	2	
7	GU65663500	Brake oil tank	1	
8	GU98682310	Hex socket screw M6x10	3	
9	GU95008306	Washer 6,4x12x1,2	2	
10	GU30666060	Oil tank plate	1	
11	GU00823950050	Oil pipe	1	
12	GU30665860	Spring	1	
13	GU61108500	Hose clamp D9	2	
14	GU03658500	Hose from pump to delayvalve	1	
15	GU95990028	Oil pipe screw *	2	
16	GU25656100	Gasket	2	
17	GU17656850	Distributor	1	
18	GU98230616	Screw	1	
19	GU92630206	Nut M6x1	1	
20	GU63657000	Switch	1	
21	GU03675900	Rear brake lever	1	
22	GU30678160	Bush	1	
23	GU43262180	Rubber pedal	1	
24	GU98230816	Screw	1	
25	GU03270300	Washer 8,4x15	1	
26	GU03259100	Washer	1	
27	GU13432640	Rubber pedal	1	
28	GU18678350	Pin	1	

Assembly	FRAME
Code	33.26
Description	Rear master cylinder
Revision	1



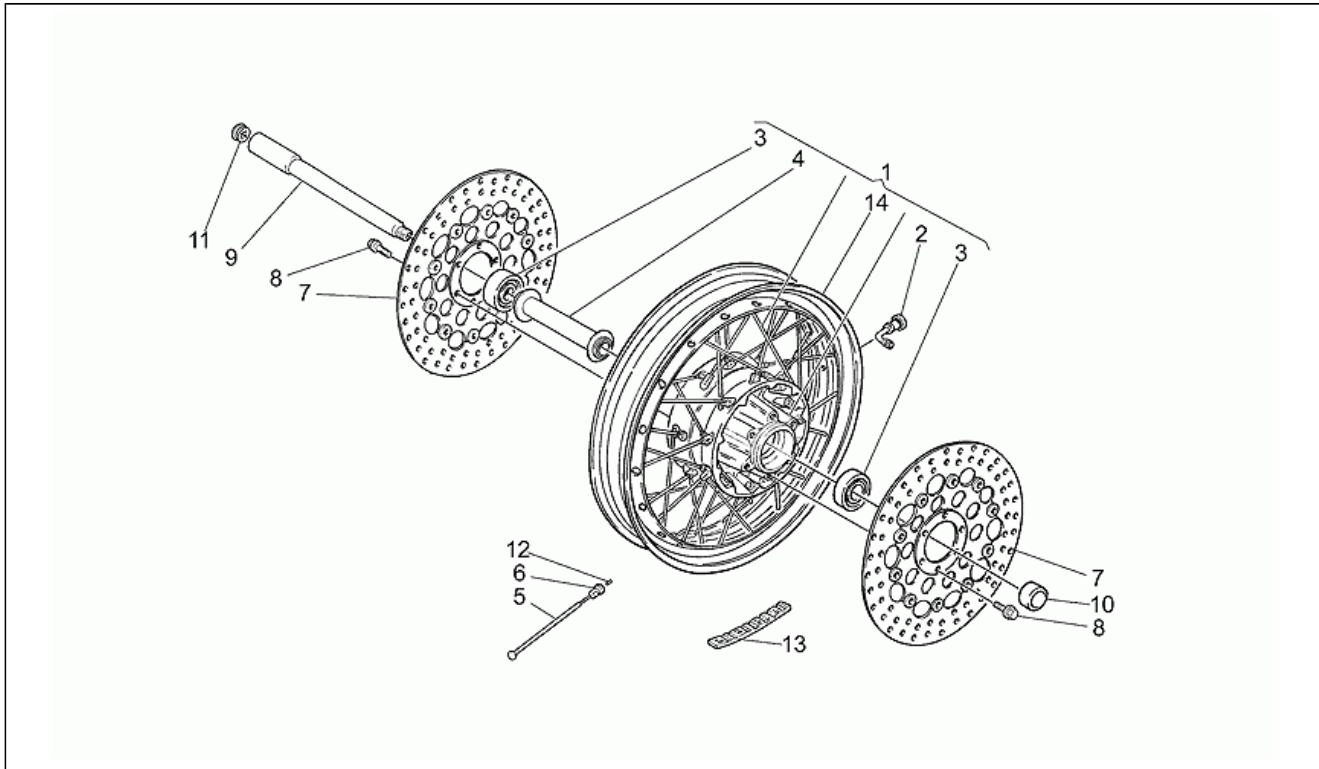
Pos.	Code	Description	Q.ty	Variants
29	GU03013800	Washer 6,4x12	1	
30	GU92606206	Nut M6*	1	
31	GU95770265	Pin	1	
32	GU95129111	Washer	1	
33	GU95500221	Split pin	2	
34	GU30675160	Tie rod	1	
35	GU92609007	Nut	1	
36	GU95740175	Fork	1	
37	GU95129131	Washer 8,4x15x1,7	1	
38	GU95100177	Washer	1	

Assembly	FRAME
Code	33.27
Description	Luggage rack
Revision	1



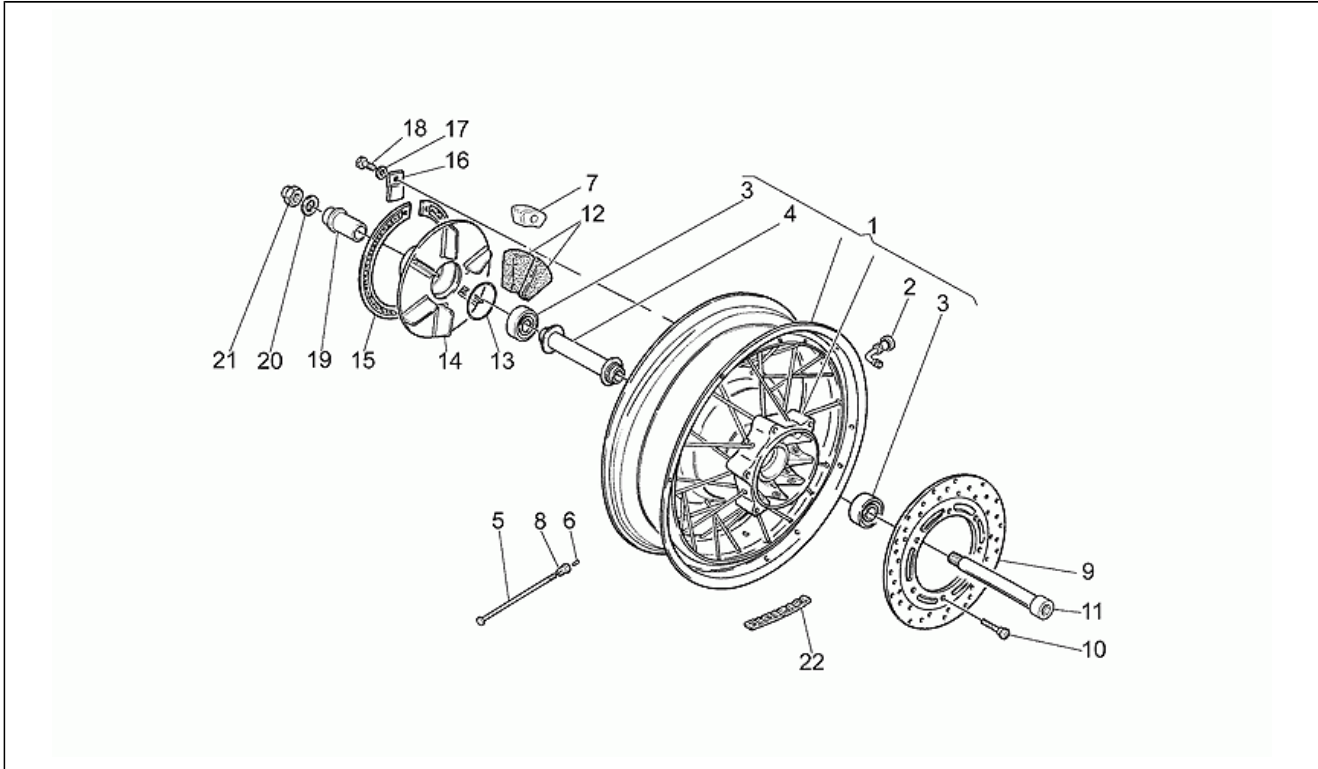
Pos.	Code	Description	Q.ty	Variants
1	GU03466511	Parcel rack assy	1	
1	GU03466515	Parcel rack assy	1	Color:80 Anniversary Red Frau 01-02[f.r]
2	GU03468010	Seat cushion	1	
2	GU03468015	Seat cushion	1	Color:80 Anniversary Red Frau 01-02[f.r]
3	GU95008306	Washer 6,4x12x1,2	4	
4	GU92602206	Nut	2	
5	GU61270300	Spring washer 8x15x0,3	2	
6	GU03468210	Cover	1	
6	GU03468215	Cover	1	Color:80 Anniversary Red Frau 01-02[f.r]
7	GU03468100	Screw	2	
8	GU94321007	Spring	1	
9	GU92295708	Ball	1	
10	GU98358318	Screw	2	

Assembly	FRAME
Code	33.28
Description	Front wheel
Revision	1



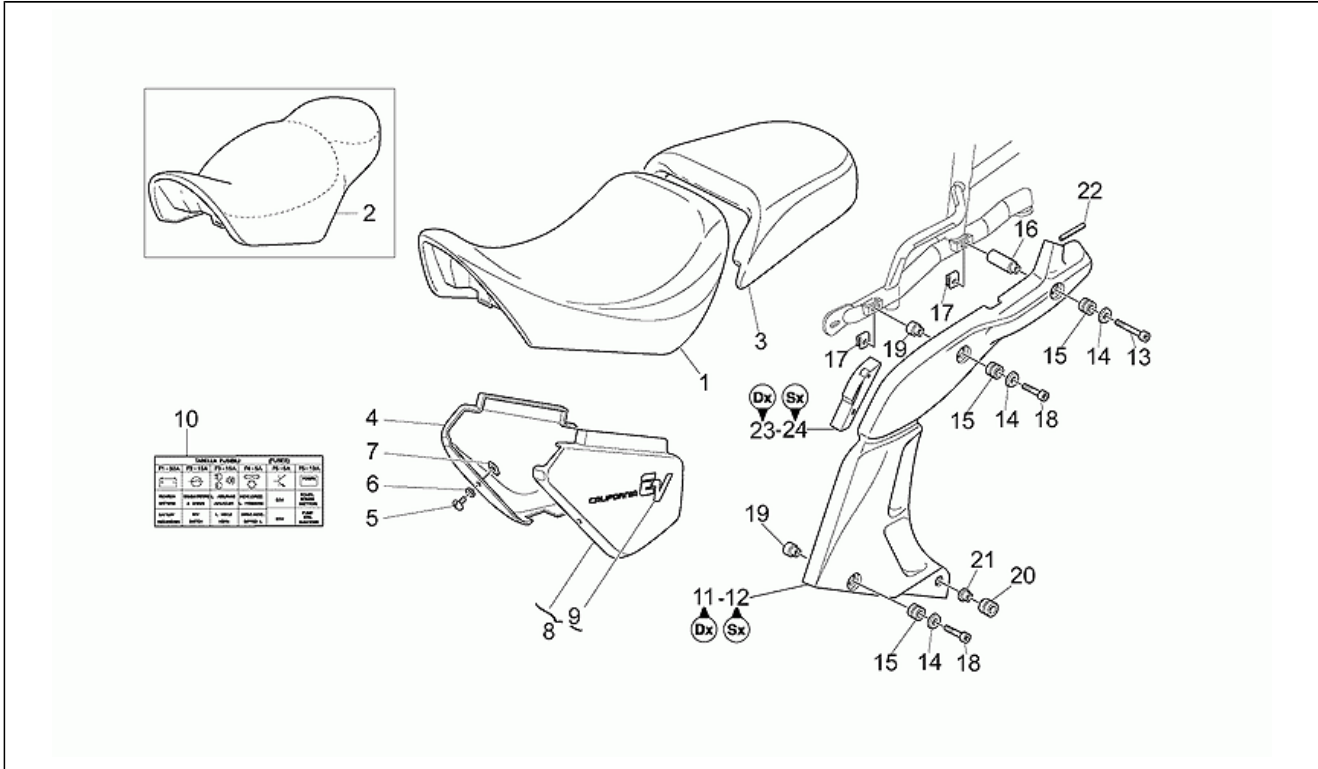
Pos.	Code	Description	Q.ty	Variants
1	GU03610310	Front wheel 2,50x18"	1	
2	GU03617710	Tubeless tyre valve	1	
3	GU92201821	Bearing 20x52x15	1	
4	GU03615210	Spacer	1	
5	GU03611610	Spoke	40	
6	GU03611710	Nipples	40	
7	GU37613305	Front brake disc	2	
8	GU03611445	Screw w/ flange M8x20	12	
9	GU03614101	Front wheel spindle	1	
10	GU03616300	LH spacer	1	
11	GU93180111	Plug 15 mm	1	
12	GU98460404	Dowel	40	
13	GU14616150	Counterweight	1	
14	GU03610810	Front wheel 2,50x18"	1	

Assembly	FRAME
Code	33.29
Description	Rear wheel
Revision	1



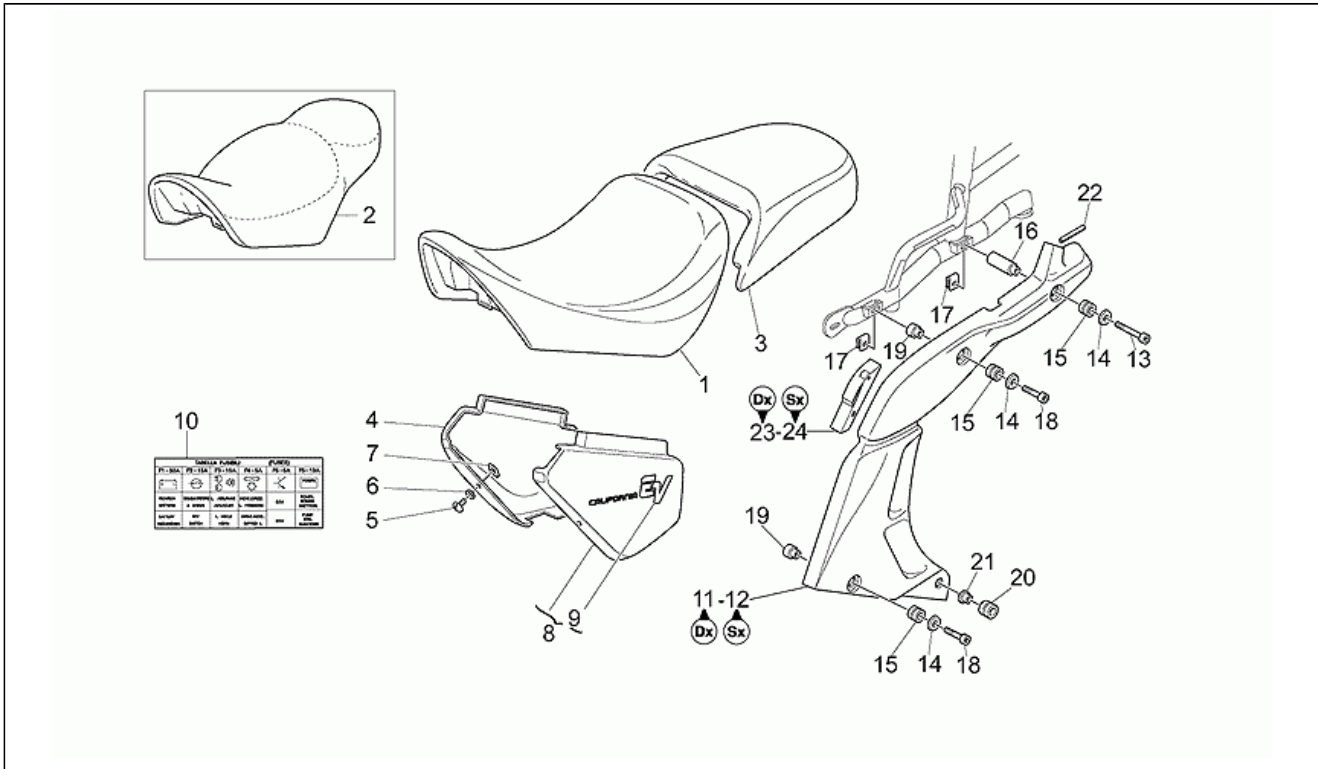
Pos.	Code	Description	Q.ty	Variants
1	GU03630610	Rear wheel 4,00x17"	1	
2	GU03617710	Tubeless tyre valve	1	
3	GU92204220	Ball bearing 20X47X14	2	
4	GU03634010	Spacer	1	
5	GU03631411	Spoke	40	
6	GU98460404	Dowel	40	
7	GU03636110	Rubber cush drive hub stop	6	
8	GU03611710	Nipples	40	
9	GU03635700	Rear brake disc gold	1	
10	GU30611460	Screw	6	
11	GU03633350	Rear wheel spindle	1	
12	GU03336810	Rubber coupling	12	
13	GU90706490	O-ring	1	
14	GU30335260	Flexible coupling disc	1	
15	GU14335303	Snap ring	1	
16	GU17335950	Plate	1	
17	GU03013800	Washer 6,4x12	1	
18	GU98084312	Hex screw M6x12	1	
19	GU03634110	Spacer	1	
20	GU95008219	Washer 19x34x3	1	
21	GU92630718	Nut	1	
22	GU14616150	Counterweight	1	

Assembly	FRAME
Code	33.30
Description	Saddle
Revision	1



Pos.	Code	Description	Q.ty	Variants
1	GU03460510	Driver saddle	1	
2	GU03460515	Driver saddle, black	1	Color:80 Anniversary Red Frau 01-02[f.r]
2	GU03460525	Driver saddle, brown	1	Color:Touring Black 2001-2002[t.b]
3	GU03464010	Rear saddle	1	
4	GU03476206	RH side cover blank	1	Color:Blank[gr]
4	GU03476212	RH side cover white	1	Color:White 2001-2002[wh]
4	GU03476213	RH side cover black	1	Color:Black 2001-2002[bl]
4	GU03476214	RH side cover red vintage	1	Color:Vintage Red 2001-2002[v.r]
5	GU98326016	Screw	4	
6	GU66478610	Nylon washer 6X17X1	4	
7	GU92660601	Captive nut	4	
8	GU03476306	LH side cover blank	1	Color:Blank[gr]
8	GU03476312	LH side cover white	1	Color:White 2001-2002[wh]
8	GU03476313	LH side cover black	1	Color:Black 2001-2002[bl]
8	GU03476314	LH side cover red vintage	1	Color:Vintage Red 2001-2002[v.r]
9	GU03922010	Trans."California EV" go/re/bl	2	
9	GU03922011	Trans."California EV" bl/re/wh	2	
9	GU03922012	Trans."California EV" cr/re/bl	2	
10	GU03945450	Fuse table decal	1	
11	GU03467310	RH rear wall	1	
12	GU03466910	LH rear wall	1	
13	GU98370645	Screw	2	
14	GU03462801	Washer	6	
15	GU91551105	Rubber spacer	6	
16	GU03471810	Upper spacer	2	
17	GU28576591	Clip M6	4	
18	GU98370625	Hex socket screw M6X25	4	
19	GU03471801	Under spacer	4	

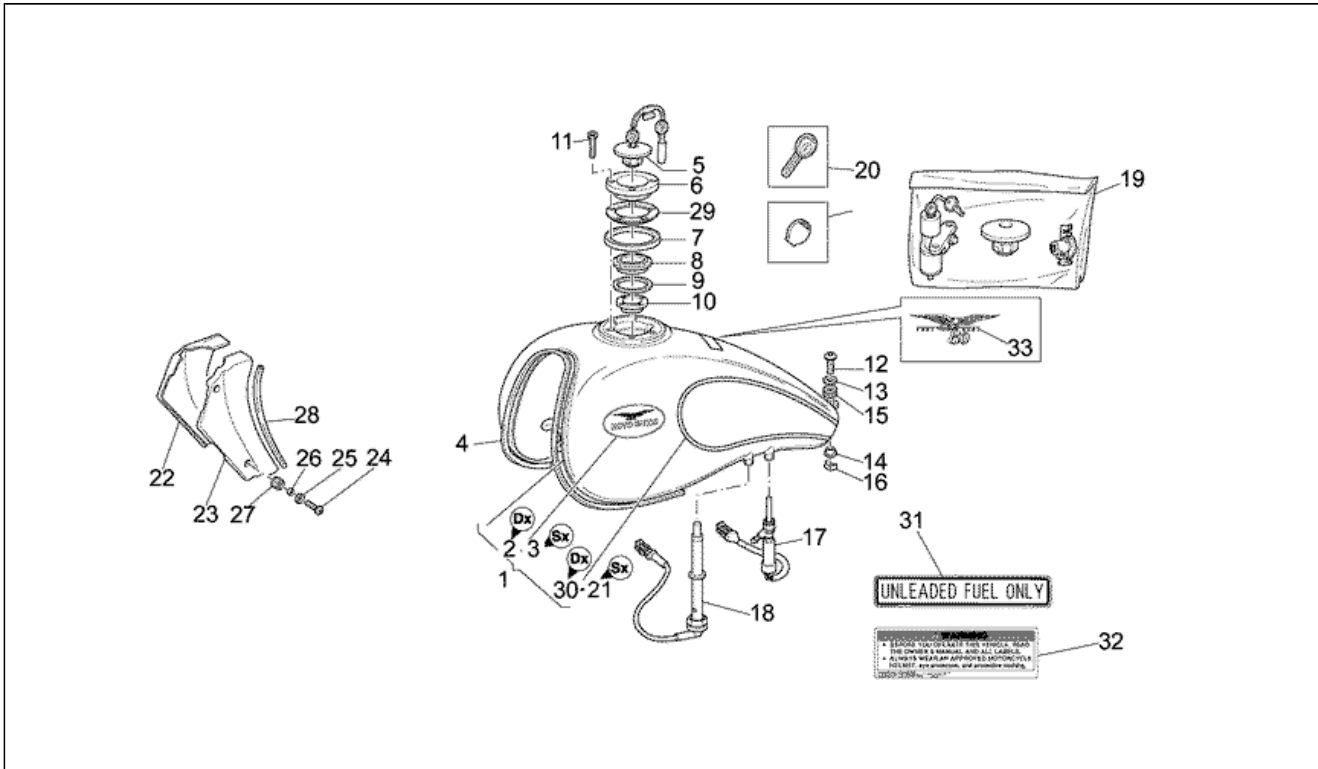
Assembly	FRAME
Code	33.30
Description	Saddle
Revision	1



Pos.	Code	Description	Q.ty	Variants
20	GU91551106	Rubber spacer	2	
21	GU91120806	Spacer	2	
22	GU00823931055	Gasket	1	
23	GU03467410	RH front protect black	1	
24	GU03467411	LH front protect black	1	

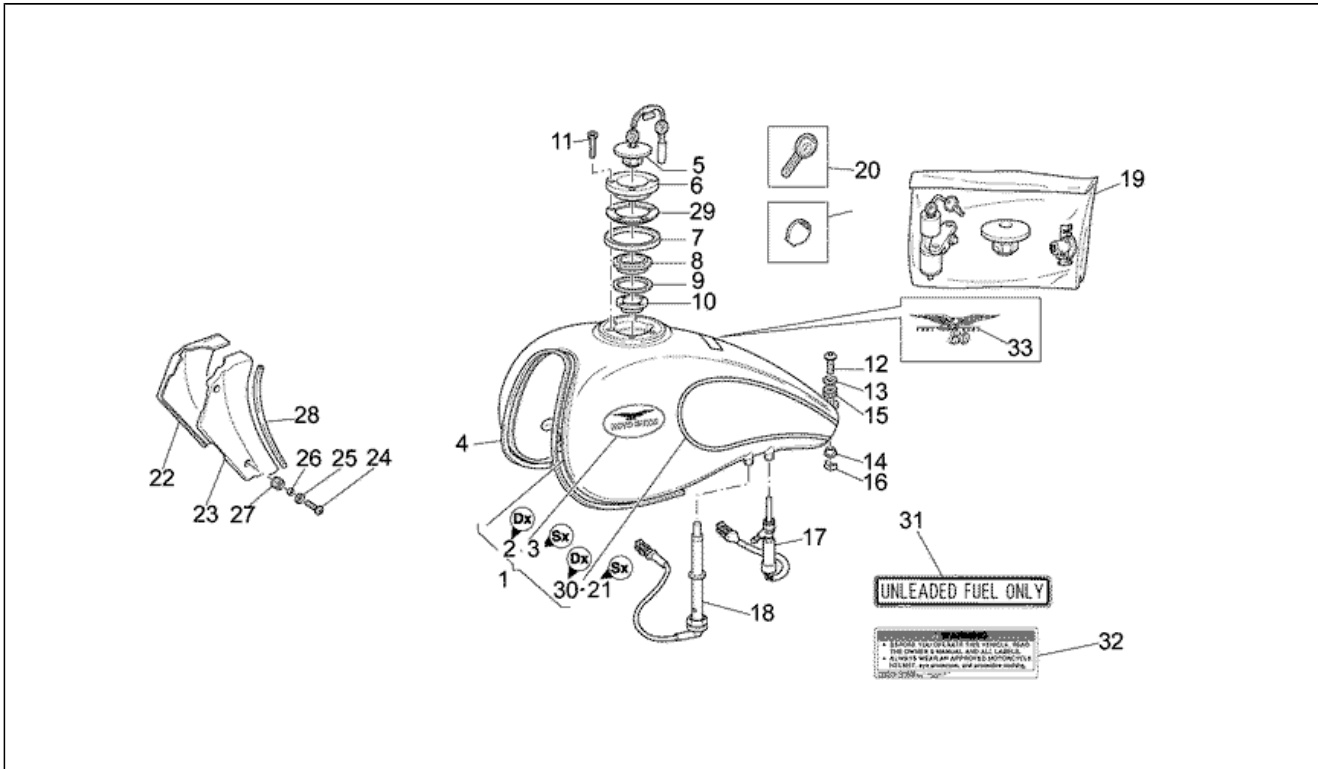


Assembly	FRAME
Code	33.31
Description	Fuel tank
Revision	1



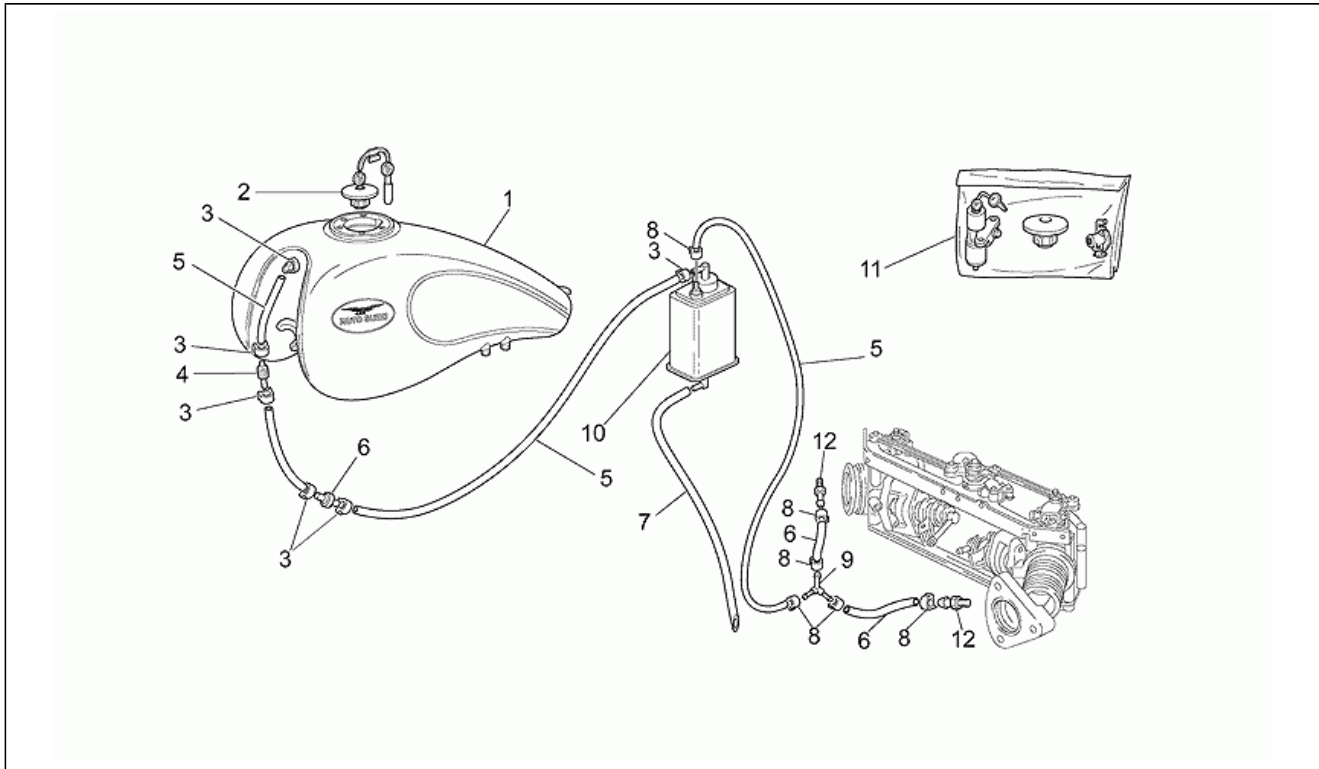
Pos.	Code	Description	Q.ty	Variants
1	GU03100200	Fuel tank blank	1	Color:Blank[gr]
1	GU03100211	Fuel tank	1	Color:White 2001-2002[wh]
1	GU03100212	Fuel tank	1	Color:Black 2001-2002[bl]
1	GU03100213	Fuel tank red/black	1	Color:Vintage Red 2001-2002[v.r]
1	GU89000406	Fuel tank, red/chrome	1	Color:80 Anniversary Red Frau 01-02[f.r]
2	GU03917810	RH stic."Moto Guzzi" red/gold	1	
2	GU03917841	RH stic."Moto Guzzi" red/black	1	
2	GU03917844	RH stic."Moto Guzzi" red/chrom	1	
3	GU03917910	LH stic."Moto Guzzi" red/gold	1	
3	GU03917941	LH stic."Moto Guzzi" red/black	1	
3	GU03917944	LH stic."Moto Guzzi" red/chr	1	
4	GU03106400	Gasket	1	
5	GU03103950	Tank cap	1	
6	GU03101900	Flange	1	
7	GU03102400	Gasket	1	
8	GU03102200	Plug ring nut	1	
9	GU03101600	Gasket	1	
10	GU03101720	Reduction 38 mm	1	
11	GU03103200	Screw	5	
12	GU98350430	Hex socket screw M8x30	1	
13	GU95100239	Washer	1	
14	GU31103565	Spacer	1	
15	GU91551131	Rubber spacer	1	
16	GU92660801	Captive nut	1	
17	GU03105300	Fuel solenoid valve	1	
18	GU03103000	Fuel level sensor	1	
19	GU03736815	Lock hardware kit	1	Color:80 Anniversary Red Frau 01-02[f.r]
19	GU03736850	Lock hardware kit	1	

Assembly	FRAME
Code	33.31
Description	Fuel tank
Revision	1



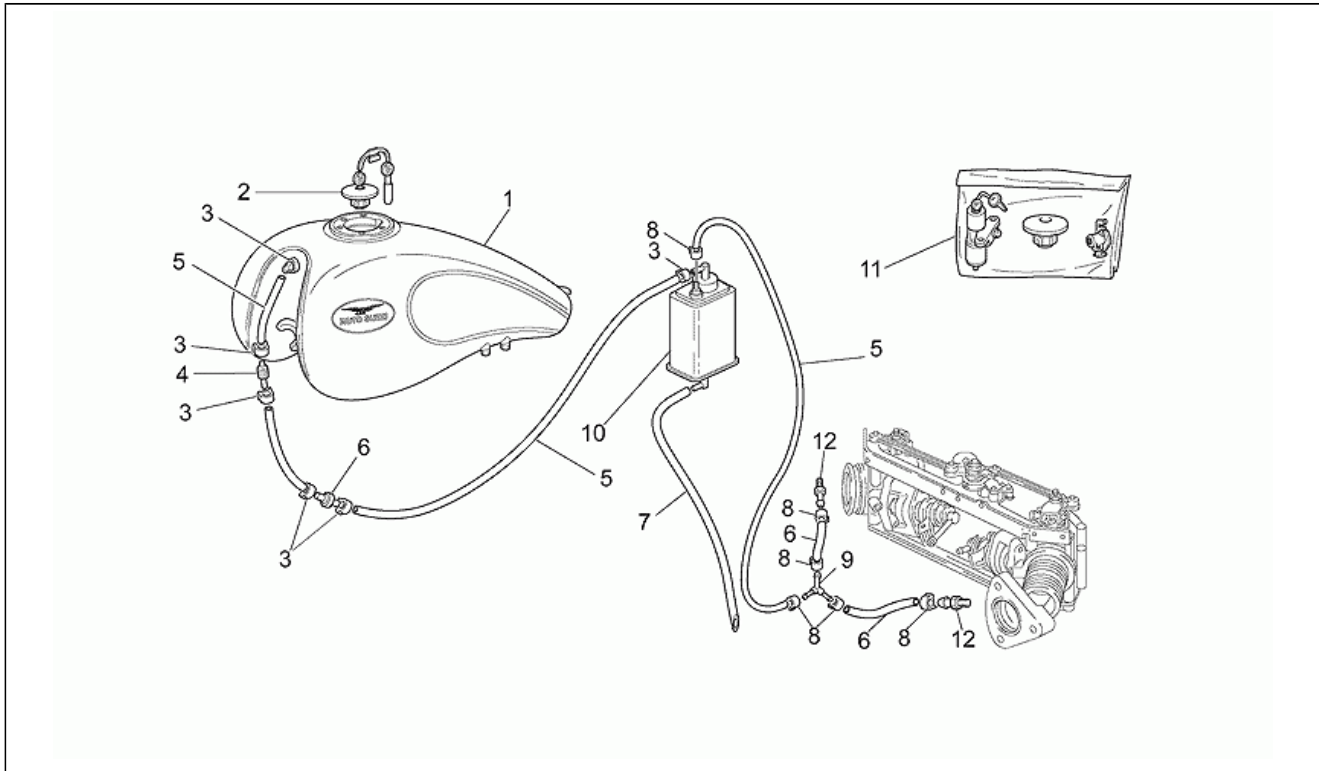
Pos.	Code	Description	Q.ty	Variants
20	GU30735500	Non indented key blank	1	
21	GU03923914	Gold LH line decal	1	
21	GU03923915	Black LH line decal	1	
21	GU03923916	Red LH line decal	1	
22	GU03472400	RH front protect chrome	1	
23	GU03472900	LH front protect chrome	1	
24	GU98370614	Hex socket screw M6X14	1	
24	GU98370619	Hex socket screw M6x18	3	
25	GU03462801	Washer	4	
26	GU91180600	Spacer 6,25x8x5	4	
27	GU91551081	Rubber spacer 8x15	4	
28	GU00823931055	Gasket	1	
29	GU03103500	Ring	1	
30	GU03923911	Gold RH line decal	1	
30	GU03923912	Black RH line decal	1	
30	GU03923913	Red RH line decal	1	
31	GU03995730	Decal "Unleaded Fuelonly"	1	
32	GU30944300	Decal "Attention"	1	
33	GU03917541	"Anniversario" dec.,gold 21-01	1	
33	GU03917542	"Anniversario" dec.,chr.21-01	1	

Assembly	FRAME
Code	33.32
Description	Fuel tank, USA-CDN-SGP
Revision	1



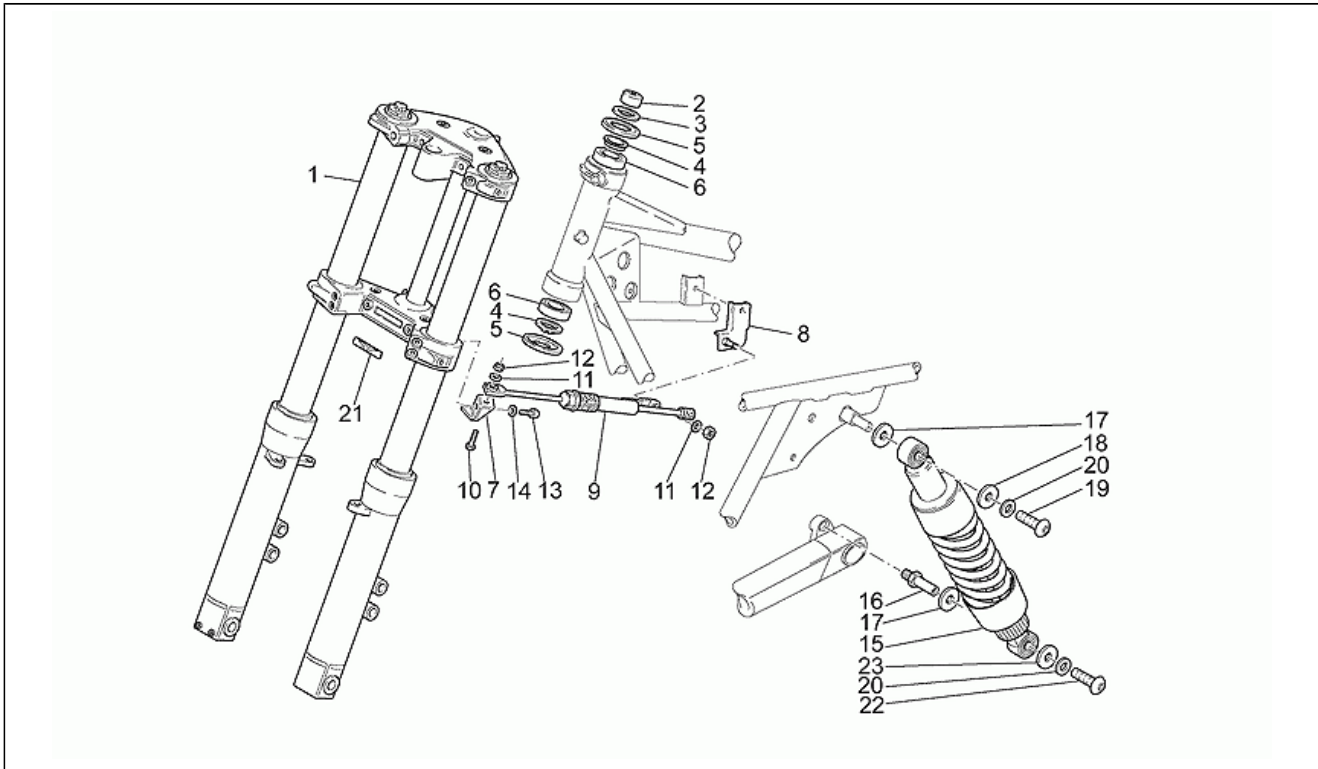
Pos.	Code	Description	Q.ty	Variants
1	GU03100214	Fuel tank white	1	Color: White 2001-2002[wh] Country: Canadian[CDN], Singapore[SGP], United States of America[USA]
1	GU03100215	Fuel tank, black	1	Color: Black 2001-2002[bl] Country: Canadian[CDN], Singapore[SGP], United States of America[USA]
1	GU03100216	Fuel tank red/black	1	Color: Vintage Red 2001-2002[v.r] Country: Canadian[CDN], Singapore[SGP], United States of America[USA]
1	GU03100220	Fuel tank blank	1	Color: Blank[gr] Country: Canadian[CDN], Singapore[SGP], United States of America[USA]
1	GU89000407	Fuel tank, red/chrome	1	Color: 80 Anniversary Red Frau 01-02[f.r] Country: Canadian[CDN], Singapore[SGP], United States of America[USA]
2	GU03103920	Tank cap	1	Country: Canadian[CDN], Singapore[SGP], United States of America[USA]
3	GU29108550	Hose clip 11,5x6	4	Country: Canadian[CDN], Singapore[SGP], United States of America[USA]
4	GU29104985	Oil breather valve	1	Country: Canadian[CDN], Singapore[SGP], United States of America[USA]
5	GU00823956060	Pipe SAEJ30R76X121/4"	1	Country: Canadian[CDN], Singapore[SGP], United States of America[USA]
6	GU00823956050	Pipe SAE30 R73/16"	1	Country: Canadian[CDN], Singapore[SGP], United States of America[USA]
7	GU00823956080	Rubber pipe 12,5X7,8 5/16"	1	Country: Canadian[CDN], Singapore[SGP], United States of America[USA]
8	GU61108500	Hose clamp D9	6	Country: Canadian[CDN], Singapore[SGP], United States of America[USA]
9	GU29106660	3-way union	1	Country: Canadian[CDN], Singapore[SGP], United States of America[USA]
10	GU01116031	Carbon filter	1	Country: Canadian[CDN], Singapore[SGP], United States of America[USA]

Assembly	FRAME
Code	33.32
Description	Fuel tank, USA-CDN-SGP
Revision	1



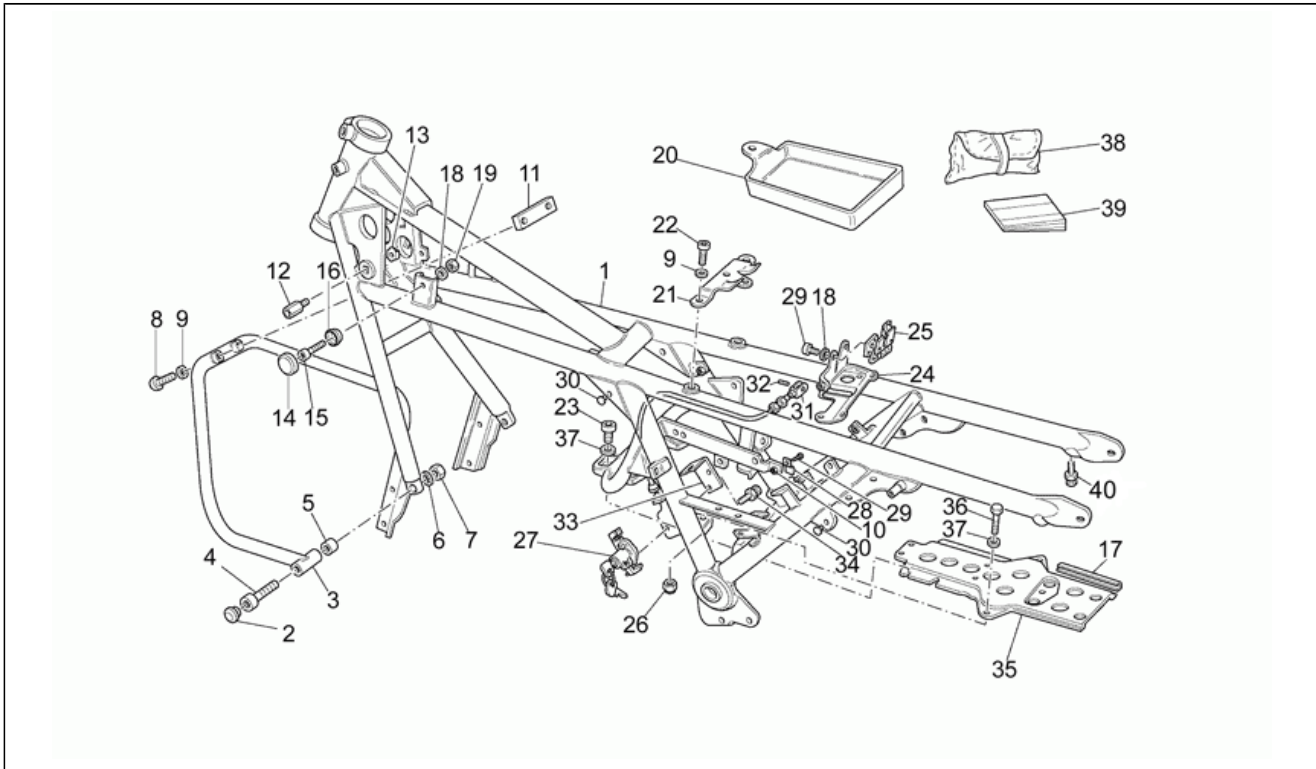
Pos.	Code	Description	Q.ty	Variants
11	GU03736820	Lock hardware kit	1	Country:Canadian[CDN], Singapore[SGP], United States of America[USA]
12	GU30115220	Union	2	Country:Canadian[CDN], Singapore[SGP], United States of America[USA]

Assembly	FRAME
Code	33.33
Description	F.fork-R.shock absorber
Revision	1



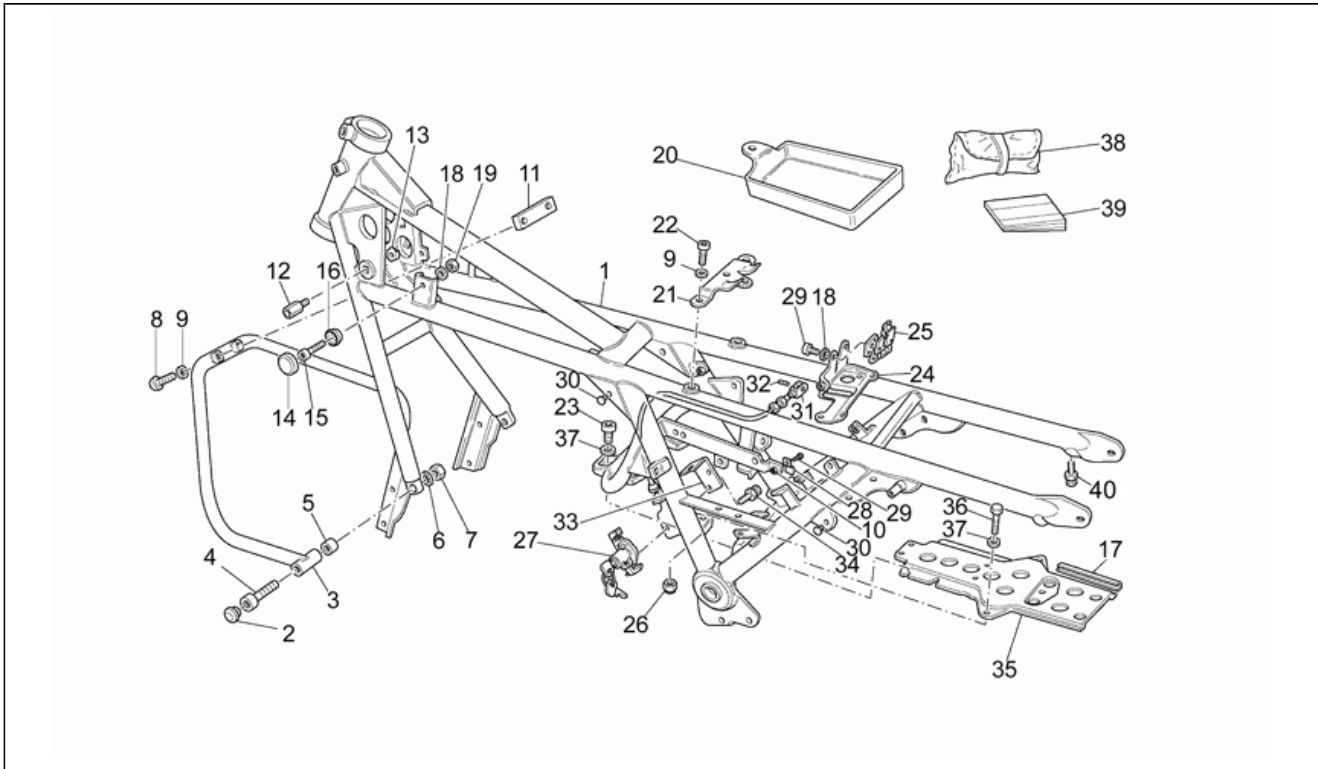
Pos.	Code	Description	Q.ty	Variants
1	GU03490210	Front fork	1	
2	GU30513401	Head fixing nut	1	
3	GU30516500	Washer	1	
4	GU14516700	Clearance washer	2	
5	GU14517000	Dust cover	2	
6	GU92249225	Tap.roller bearing	2	
7	GU03531800	Shock absorber plate	1	
8	GU03531000	Plate	1	
9	GU17530260	Steering shock absorber	1	
10	GU98084325	Hex screw M6x25	1	
11	GU95008306	Washer 6,4x12x1,2	3	
12	GU92630707	Nut M6X1	2	
13	GU98350320	Hex socket screw M6X20	1	
14	GU03013800	Washer 6,4x12	1	
15	GU03550210	Shock absorber	2	
16	GU03541850	Rear swing arm pin	1	
17	GU95100432	Washer	4	
18	GU95100141	Washer 6,4x12x1,2	2	
19	GU98230626	Screw 6X25	2	
20	GU03270300	Washer 8,4x15	4	
21	GU01517700	Decal "Aquila"	1	
22	GU98230615	Screw	2	
23	GU95005309	Washer	2	

Assembly	FRAME
Code	33.34
Description	Frame
Revision	1



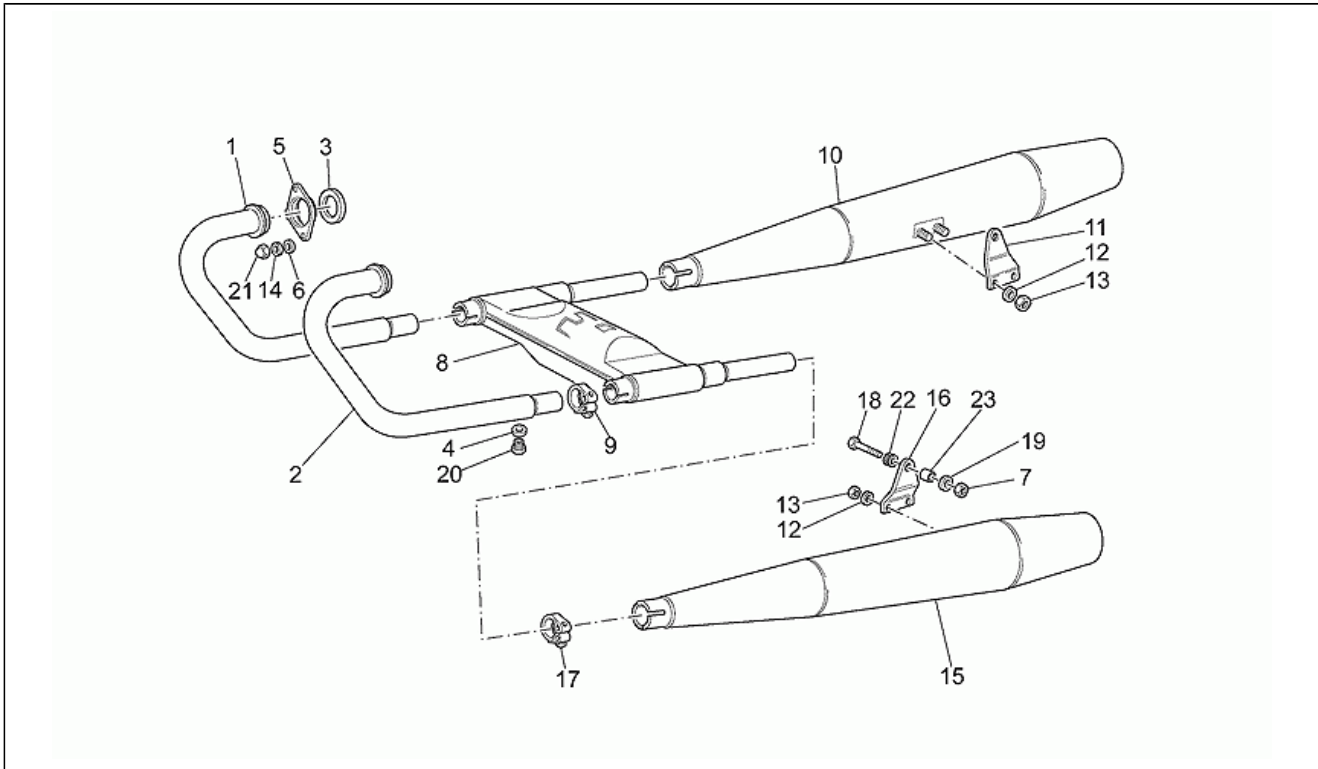
Pos.	Code	Description	Q.ty	Variants
1	GU03400150	Frame	1	
2	GU93180216	Rubber spacer	2	
3	GU30450260	Front protection	1	
4	GU98681650	Screw	2	
5	GU91181210	Spacer	2	
6	GU95022112	Notched washer	2	
7	GU92602312	Nut	2	
8	GU98370845	Hex socket screw M8x45	2	
9	GU03270300	Washer 8,4x15	4	
10	GU92640106	Self-locking nut	2	
11	GU17451750	Plate	1	
12	GU03469200	Stud bolt	2	
13	GU92660801	Captive nut	2	
14	GU39103400	Drift	2	
15	GU98822316	Screw	2	
16	GU39103500	Disc	2	
17	GU00823931080	Gasket PVC	1	
18	GU03013800	Washer 6,4x12	4	
19	GU92606206	Nut M6*	2	
20	GU03479545	Holder	1	
21	GU30461360	Plate	1	
22	GU98350416	Hex socket screw M8x16	2	
23	GU98682420	Hex socket screw M8x20	4	
24	GU03462345	Plate	1	
25	GU30462060	Saddle lock	1	
26	GU92640508	Nut M8	3	
27	GU30466860	Saddle lock	1	
28	GU17335950	Plate	2	

Assembly	FRAME
Code	33.34
Description	Frame
Revision	1



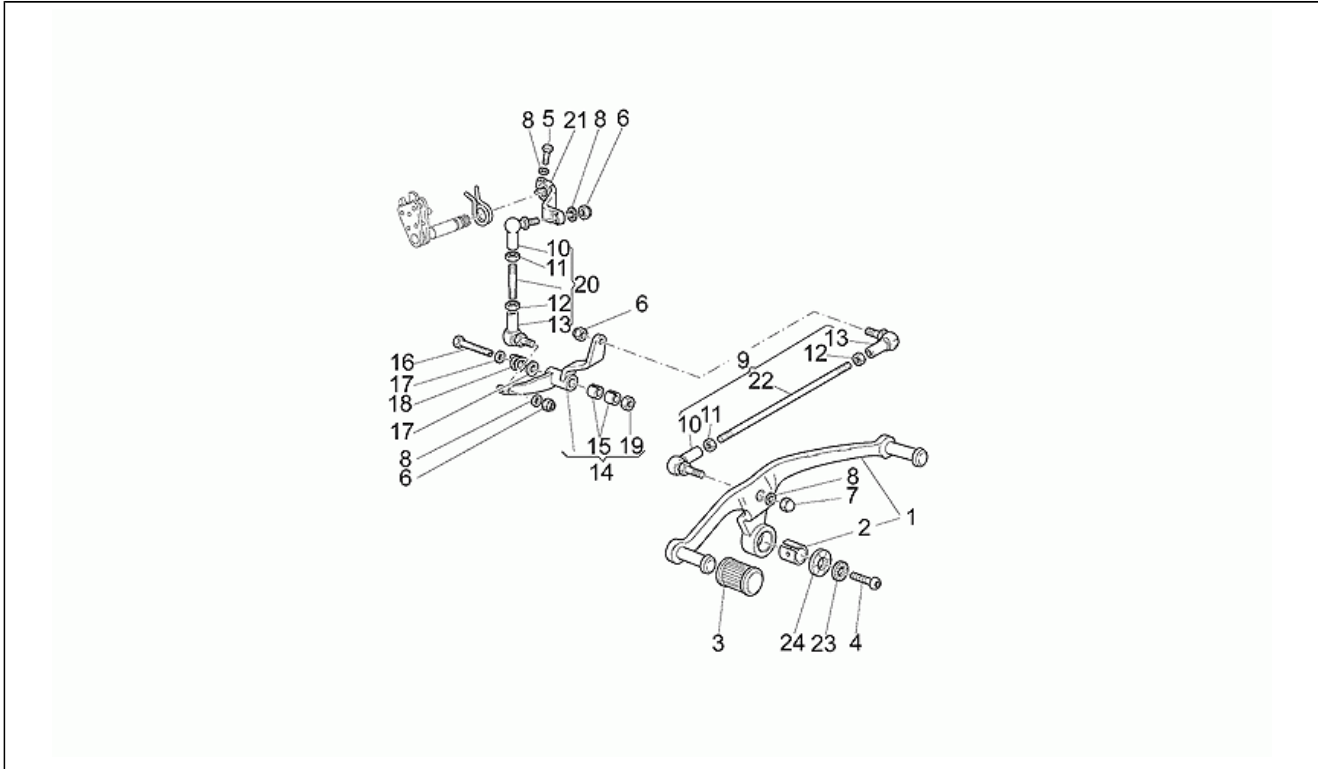
Pos.	Code	Description	Q.ty	Variants
29	GU98350312	Hex socket screw M6x12	4	
30	GU93180080	Plug	6	
31	GU30462160	Saddle release cable	1	
32	GU95522508	Pin	1	
33	GU30463260	Clamp	1	
34	GU66468115	Shear rivet	2	
35	GU29418360	Plate	1	
36	GU98084416	Screw	3	
37	GU95008208	Washer 8,4X15X1,5	7	
38	GU03909900	Toolkit	1	
39	GU03900010	Operator's handbook	1	

Assembly	FRAME
Code	33.45
Description	Exhaust unit
Revision	1



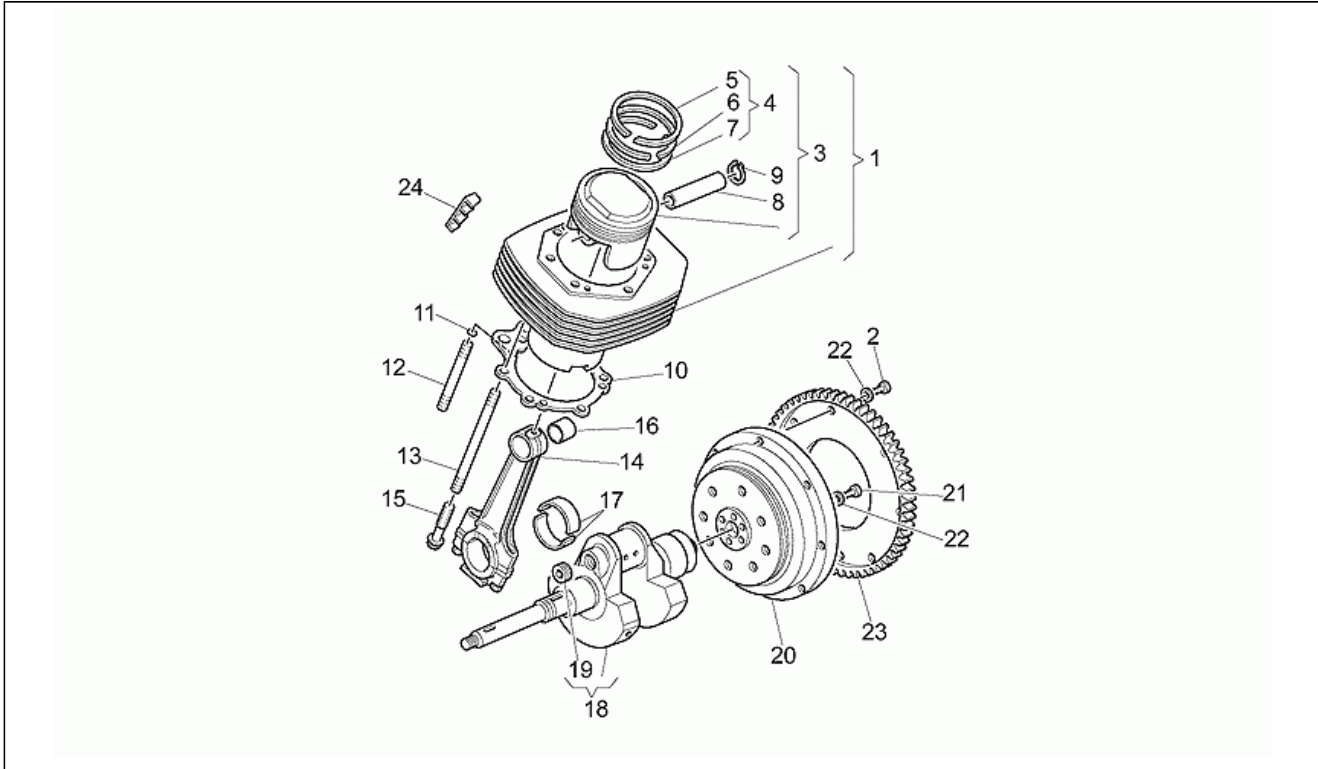
Pos.	Code	Description	Q.ty	Variants
1	GU03120960	RH exhaust pipe	1	
2	GU03120961	LH exhaust pipe	1	
3	GU90718370	Gasket	2	
4	GU30109330	Gasket	2	
5	GU01121030	Flange	2	
6	GU14615901	Washer 8,4X13X0,8	4	
7	GU92787008	Cap nut M8x1,25	6	
8	GU03123900	Expansion chamber	1	
9	GU30123430	Hose clamp	2	
10	GU03123000	RH silencer, chromium plated	1	
11	GU03128600	RH plate	1	
12	GU95008208	Washer 8,4X15X1,5	8	
13	GU92630508	Nut	4	
14	GU95005311	Washer	4	
15	GU03122900	LH silencer, chromium plated	1	
16	GU03128700	LH plate	1	
17	GU03123400	Hose clamp	2	
18	GU97202435	Screw	2	
19	GU95005312	Washer 8,5x24x2	2	
20	GU98110007	Plug	2	
21	GU92781085	Cap nut	4	
22	GU14103400	Rubber spacer	2	
23	GU95180819	Spacer	2	

Assembly	FRAME
Code	33.47
Description	Gear lever
Revision	1



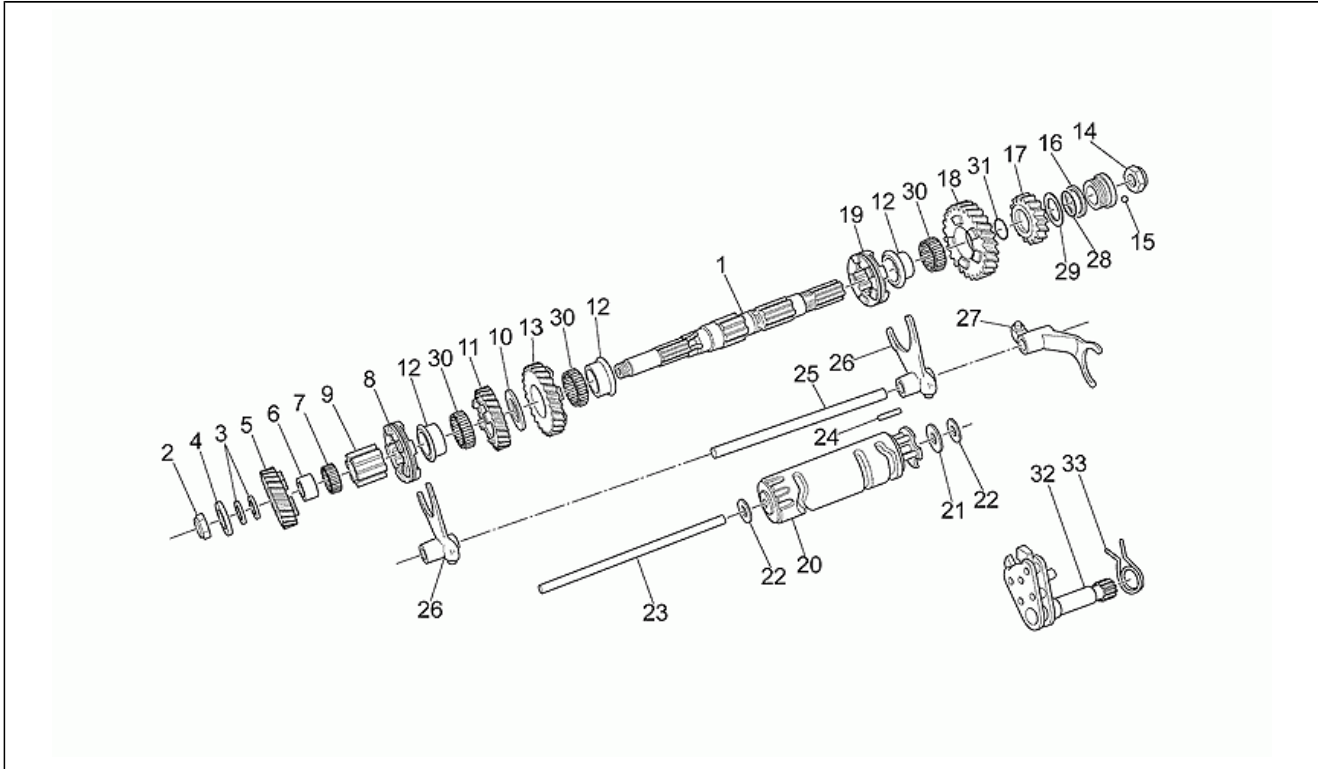
Pos.	Code	Description	Q.ty	Variants
1	GU30250860	Complete gearchange lever	1	
2	GU30678160	Bush	1	
3	GU13432640	Rubber pedal	2	
4	GU98230817	Hex socket screw M8x16	1	
5	GU98682322	Hex socket screw M6x22	1	
6	GU92630206	Nut M6x1	3	
7	GU92630707	Nut M6X1	1	
8	GU03013800	Washer 6,4x12	5	
9	GU03257600	Change gear tie rod compl.	1	
10	GU30258160	Ball joint	2	
11	GU03256800	Nut M6	2	
12	GU92609206	Nut M6	2	
13	GU18258101	Ball joint	2	
14	GU30256960	Lever	1	
15	GU30252060	Bush	2	
16	GU30252360	Screw	1	
17	GU95100409	Washer	2	
18	GU94322185	Spring	1	
19	GU92602512	Low nut M12x1,25	1	
20	GU03257800	Ball joint	1	
21	GU03258250	Lever	1	
22	GU30257760	Tie rod	1	
23	GU03270300	Washer 8,4x15	1	
24	GU03259100	Washer	1	

Assembly	ENGINE
Code	34.35
Description	Drive shaft
Revision	1



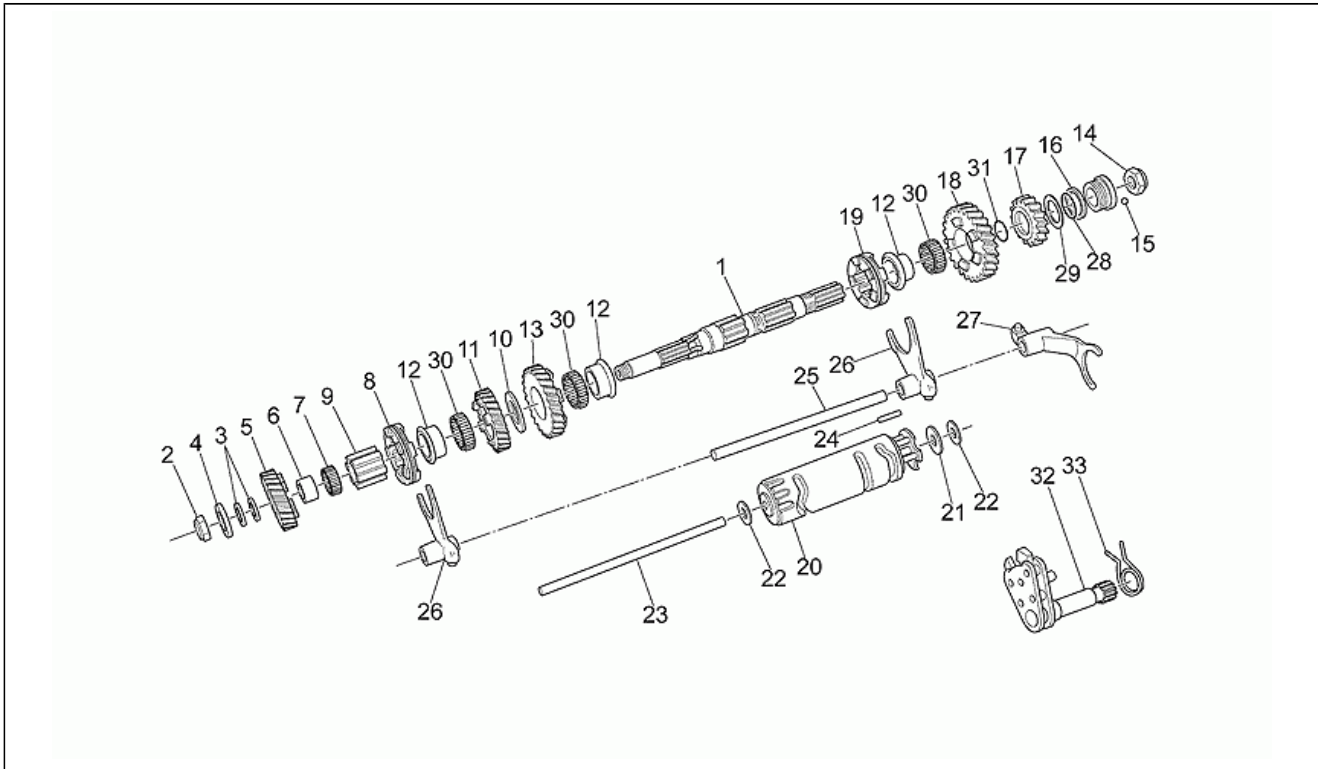
Pos.	Code	Description	Q.ty	Variants
1	GU03060130	Cylinder with piston	2	
2	GU98054420	Hex screw M8X20	8	
3	GU03060230	Piston assy	2	
4	GU30060660	Pistonring set	2	
5	GU30060760	Piston ring	2	
6	GU30060960	Piston ring	2	
7	GU30061060	Piston ring	2	
8	GU30061241	Piston pin	2	
9	GU90351038	Stop ring	4	
10	GU14020865	Gasket	2	
11	GU90706094	O-ring 9x2	4	
12	GU12021800	Stud bolt	4	
13	GU12021700	Stud bolt	8	
14	GU01061531	Connecting rod	2	
15	GU01062230	Connecting rod screw	4	
16	GU91112128	Bush	2	
17	GU37062005	Bearing half-shell	4	Technical Specifications:Tolerance standard[std]
17	GU37062006	Bearing half-shell 0,254 mm	4	Technical Specifications:Tolerance min.[M]
17	GU37062007	Bearing half-shell 0,508 mm	4	Technical Specifications:Tolerance min.[M]
17	GU37062008	Bearing half-shell 0,762 mm	4	Technical Specifications:Tolerance min.[M]
18	GU37064106	Crankshaft cpl.	1	
19	GU37065405	Plug	1	
20	GU03067030	Flywheel cpl.	1	
21	GU12067701	Screw M8X25	6	
22	GU14615901	Washer 8,4X13X0,8	14	
23	GU17067900	Chain ring	1	
24	GU19025300	Anti-vibration plate	1	

Assembly	ENGINE
Code	34.36
Description	Driven shaft
Revision	1



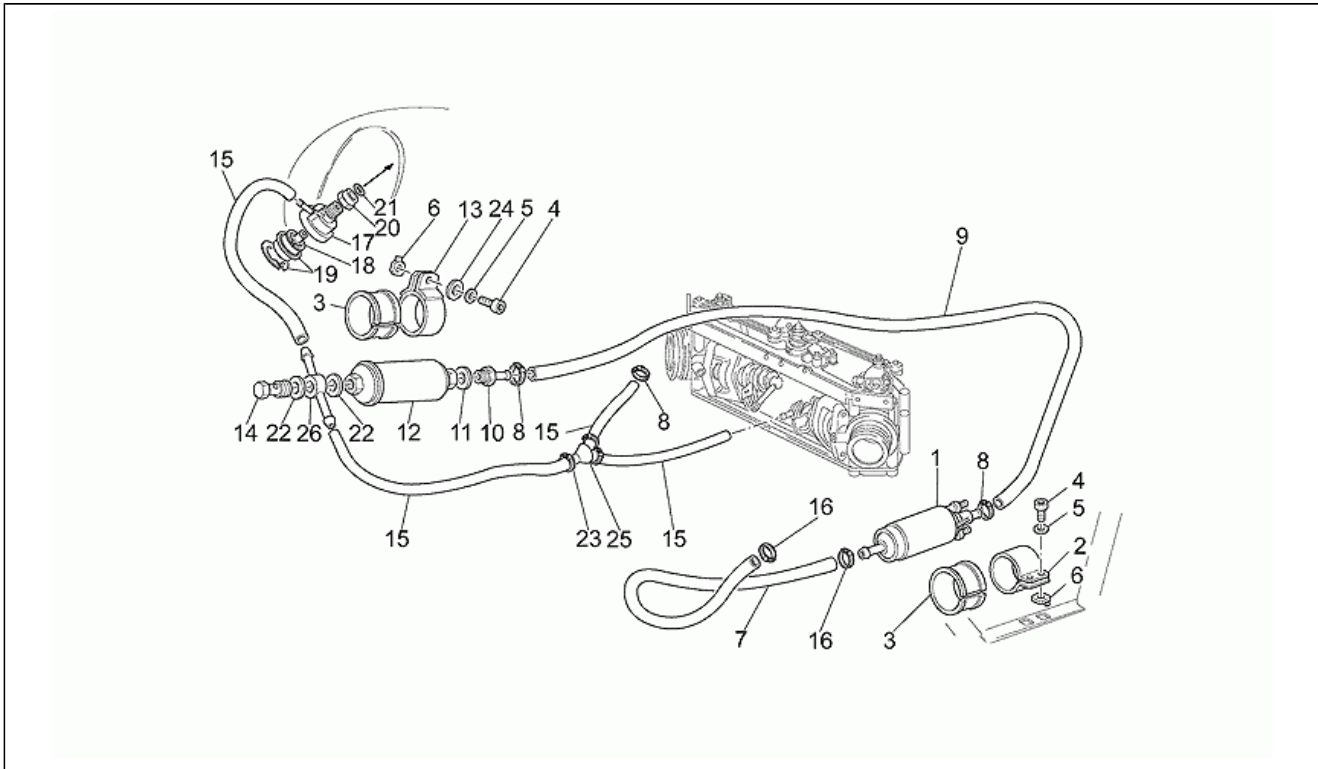
Pos.	Code	Description	Q.ty	Variants
1	GU14213612	Driven shaft	1	
2	GU14217410	Nut	1	
3	GU43083810	Shim 17,25x27x0,5	1	
4	GU14215400	Clearance washer 17,1x30	1	
5	GU03215100	Gear 4a AS 5 inn.Z=20	1	
6	GU92259017	Ring 4a	1	
7	GU92251022	Roller cage 4a A.S.	1	
8	GU30231025	Hose 3a-4a AS 5 inn.	1	
9	GU14232512	Hose	1	
10	GU14218011	Washer 25x40x3	1	
11	GU03214800	Gear 3a AS 5 inn.Z=22	1	
12	GU14213001	Bush 1a-2a-3a AS	2	
13	GU03214500	Gear 2a AS 5 inn.Z=25	1	
14	GU14219310	Nut	1	
15	GU92295702	Ball	1	
16	GU14217300	Washer 22,1x32x2	1	
17	GU14215213	Gear 5a AS Z=21	1	
18	GU30214225	Gear 1a AS 5 inn.Z=28	1	
19	GU30230725	Sliding sleeve 1a-2aAS5 inn	1	
20	GU03234400	Shift cam	1	
21	GU14235500	Washer 8,2x28x1	1	
22	GU55235000	Shim 0,6 mm	2	
22	GU55235001	Shim 0,8 mm	2	
22	GU55235002	Shim 1 mm	2	
22	GU55235003	Shim 1,2 mm	2	
23	GU14234300	Rod	3	
24	GU14234600	Pin	1	
25	GU14232400	Rod	4	

Assembly	ENGINE
Code	34.36
Description	Driven shaft
Revision	1



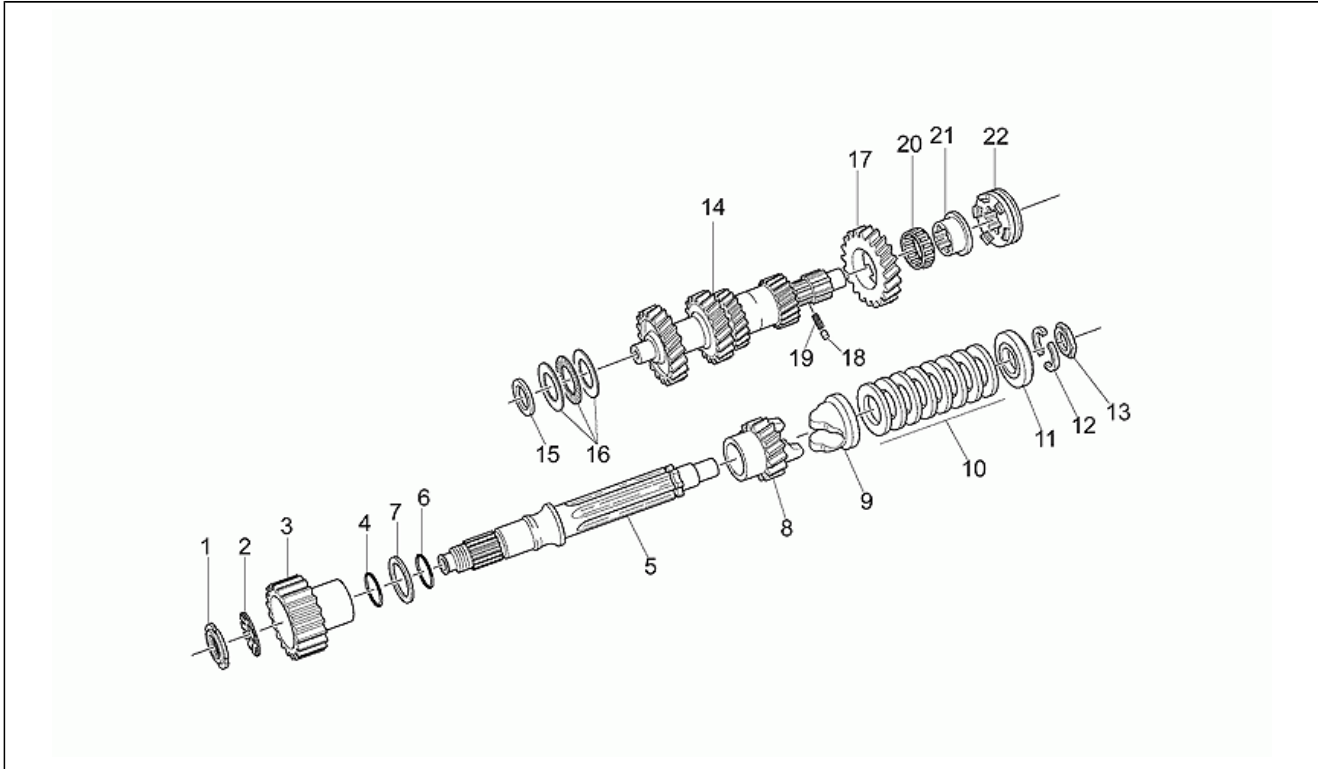
Pos.	Code	Description	Q.ty	Variants
26	GU14230501	Fork 1a-2a-3a-4a	1	
27	GU14231201	Fork 5a	2	
28	GU90706219	O-ring 21,95x1,78	1	
29	GU28217350	Washer	1	
30	GU92251030	Roller cage 30x35x13	3	
31	GU90706203	O-ring 20,24X2,62	1	
32	GU28236260	Preselection complete	1	
33	GU28238261	Spring	1	

Assembly	ENGINE
Code	34.37
Description	Supply (Carburettor)
Revision	1



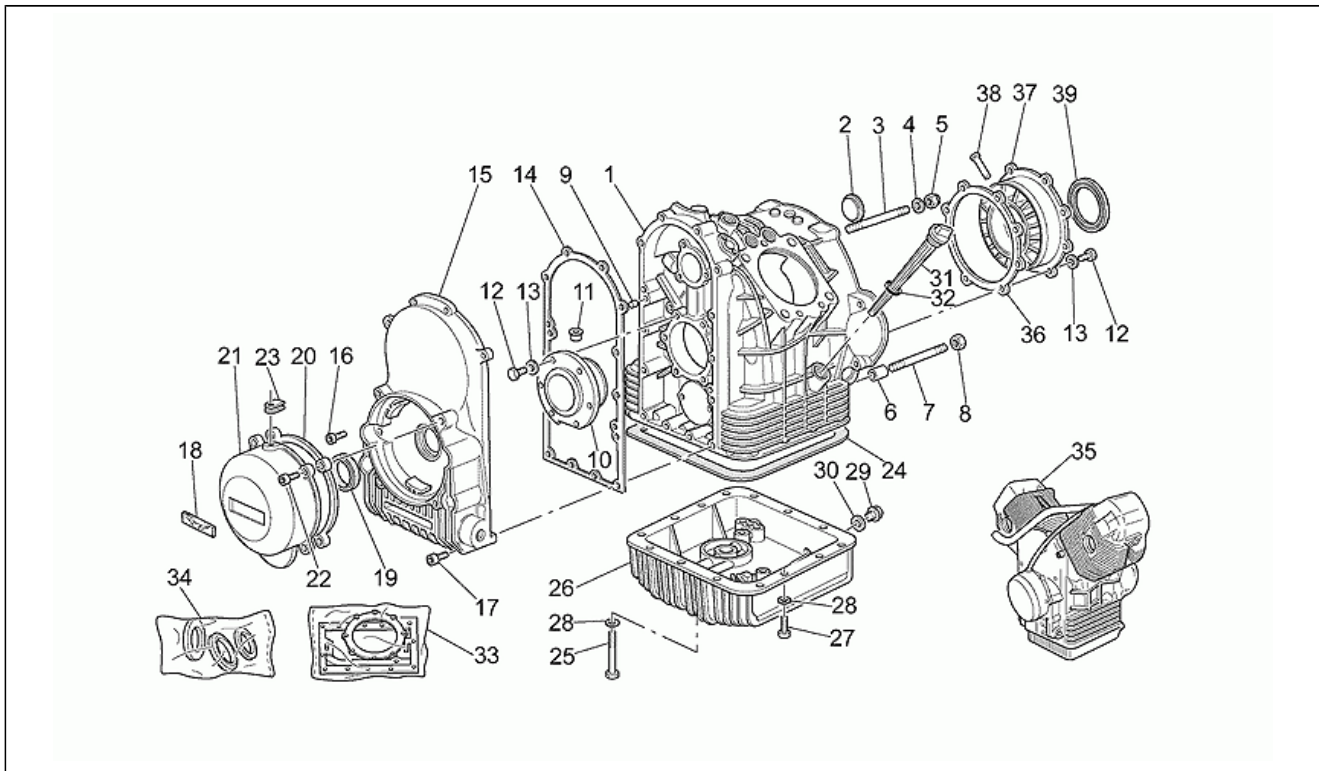
Pos.	Code	Description	Q.ty	Variants
1	GU29107261	Fuel pump	1	
2	GU29107360	Hose clamp	1	
3	GU29105860	Rubber protection	2	
4	GU98682318	Hex socket screw M6x18	3	
5	GU03013800	Washer 6,4x12	3	
6	GU92660601	Captive nut	3	
7	GU03106500	Pipe	1	
8	GU93305017	Hose clamp	10	
9	GU30106170	Pipe from p"ump to filter	1	
10	GU30106800	Union	1	
11	GU18161150	Gasket 14,25	1	
12	GU29106061	Fuel filter M14xM12	1	
13	GU29113860	Hose clamp	1	
14	GU29109161	Special screw M12	1	
15	GU00823952080	Fuel pipe SAEJ30R9	1	
16	GU12157900	Hose clamp	2	
17	GU01112900	Voltage regulator support	1	
18	GU01112800	Fuel pressure regulator	1	
19	GU90272037	Circlip	1	
20	GU30105200	Ring nut	1	
21	GU90714104	Gasket	1	
22	GU12006400	Gasket 12,25	2	
23	GU28157950	Hose clip 12,5x8	3	
24	GU95100141	Washer 6,4x12x1,2	1	
25	GU29106860	3-way union	1	
26	GU03107630	2-way union	1	

Assembly	ENGINE
Code	34.38
Description	Gear box
Revision	1



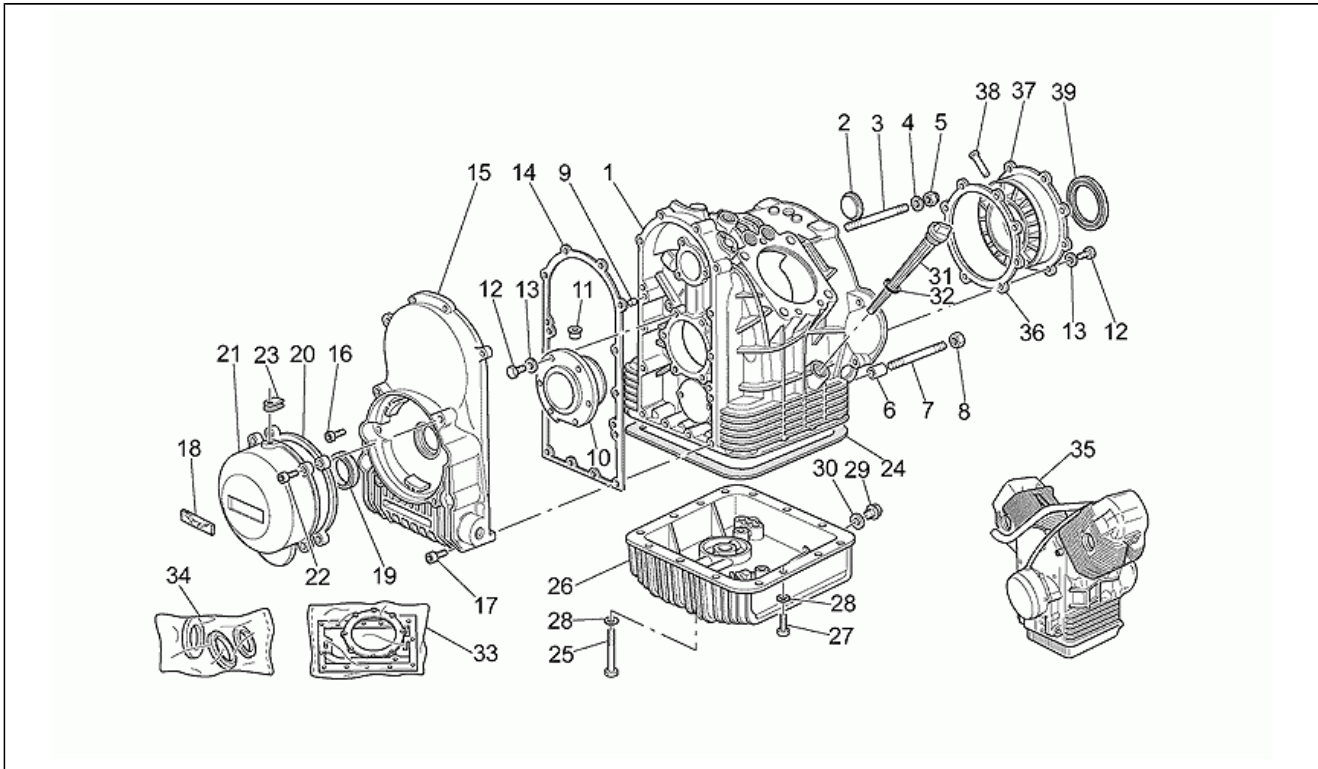
Pos.	Code	Description	Q.ty	Variants
1	GU93601022	Ring nut	1	
2	GU95028022	Washer 22x20x3,9	1	
3	GU30081810	Clutch gear	1	
4	GU90706235	O-ring 23,52x1,78	1	
5	GU14210702	Clutch shaft	1	
6	GU90706203	O-ring 20,24X2,62	1	
7	GU14218401	Oil-spreading washer 25,1x36x0,5	1	
8	GU03211160	Idle gear Z=17	1	
9	GU03211260	Hose	1	
10	GU04211500	Belleville spring	8	
11	GU03211660	Disc	1	
12	GU12211700	Half ring	2	
13	GU14219401	Spacer	1	
14	GU14210513	Primary gear shaft	1	
15	GU18211050	Thrust washer sp.2	1	
15	GU18211051	Thrust washer sp.2,1	1	
15	GU18211052	Thrust washer sp.2,2	1	
15	GU18211054	Thrust washer sp.2,4	1	
16	GU92258525	Roller bearing	1	
17	GU03212000	Gear 5a AP 5 inn.Z=28	1	
18	GU92296750	Roller	1	
19	GU94321051	Spring	1	
20	GU92251030	Roller cage 30x35x13	1	
21	GU14212210	Bush 5a AP	1	
22	GU30231525	Sliding sleeve 5a	1	

Assembly	ENGINE
Code	34.39
Description	Crankcase
Revision	1



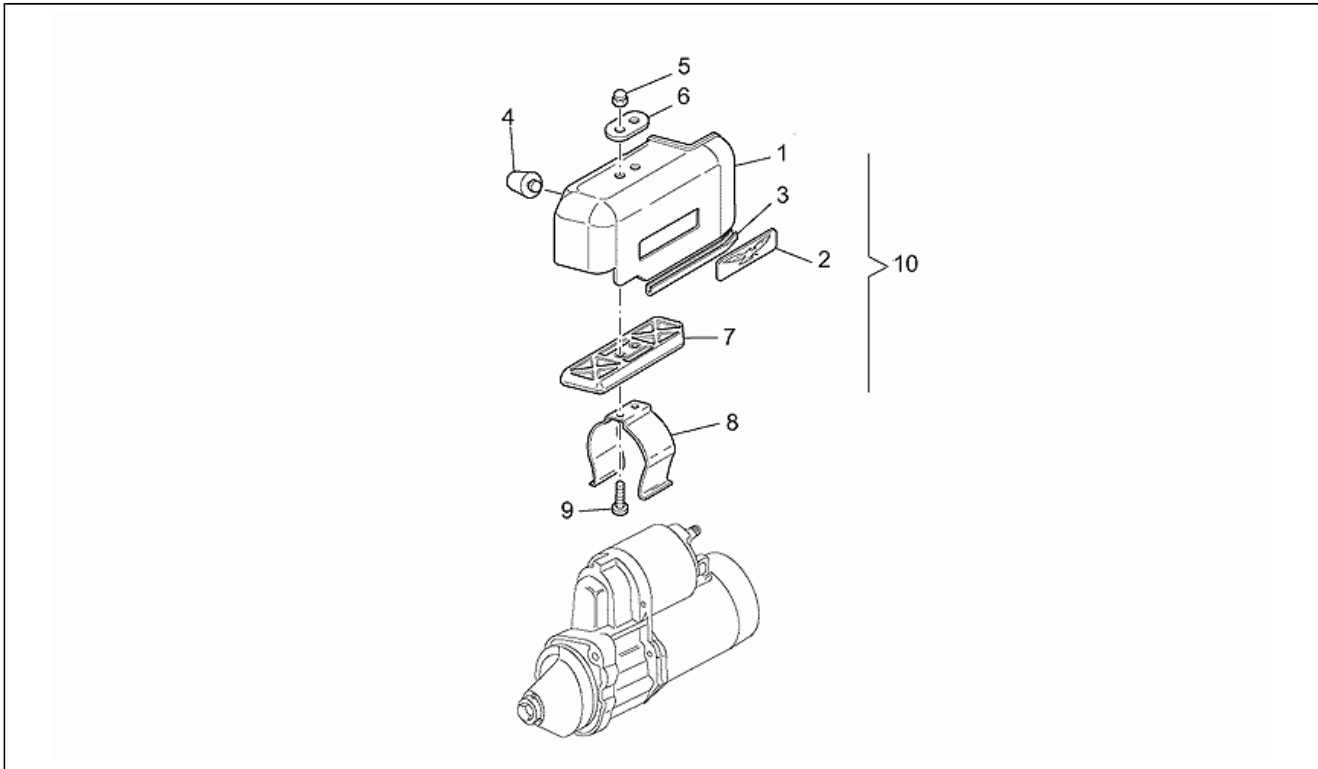
Pos.	Code	Description	Q.ty	Variants
1	GU03000760	Crankcase black	1	
2	GU12003900	Disc	1	
3	GU96508066	Stud bolt M8X66	4	
4	GU95004208	Washer	6	
5	GU92781081	Nut	2	
6	GU12018900	Coupling bush	2	
7	GU96508075	Stud bolt M8x75	2	
8	GU92602208	Nut M8X1,25	4	
9	GU95512081	Pin	2	
10	GU14011900	Complete flange	1	Technical Specifications: Tolerance standard[std]
10	GU14011901	Flange min.0,2 mm	1	Technical Specifications: Tolerance min.[M]
11	GU12012200	Pin	1	
12	GU98084425	Hex screw M8x25	14	
13	GU03270300	Washer 8,4x15	14	
14	GU12001200	Cover gasket	1	
15	GU03001460	Timing cover black	1	
16	GU98682325	Hex socket screw M6x25	22	
17	GU98680335	Hex socket screw M6x35	6	
18	GU02517700	Adhesive label	1	
19	GU90402840	Gasket ring 28x38x7	1	
20	GU18001150	Flange	1	
21	GU03001600	Generator cover polished plated	1	
22	GU98310631	Screw	4	
23	GU19007700	Rubber spacer	1	
24	GU14003600	Sump gasket	1	
25	GU98082390	Screw	4	
26	GU03003561	Oil sump black	1	
27	GU98682325	Hex socket screw M6x25	14	

Assembly	ENGINE
Code	34.39
Description	Crankcase
Revision	1



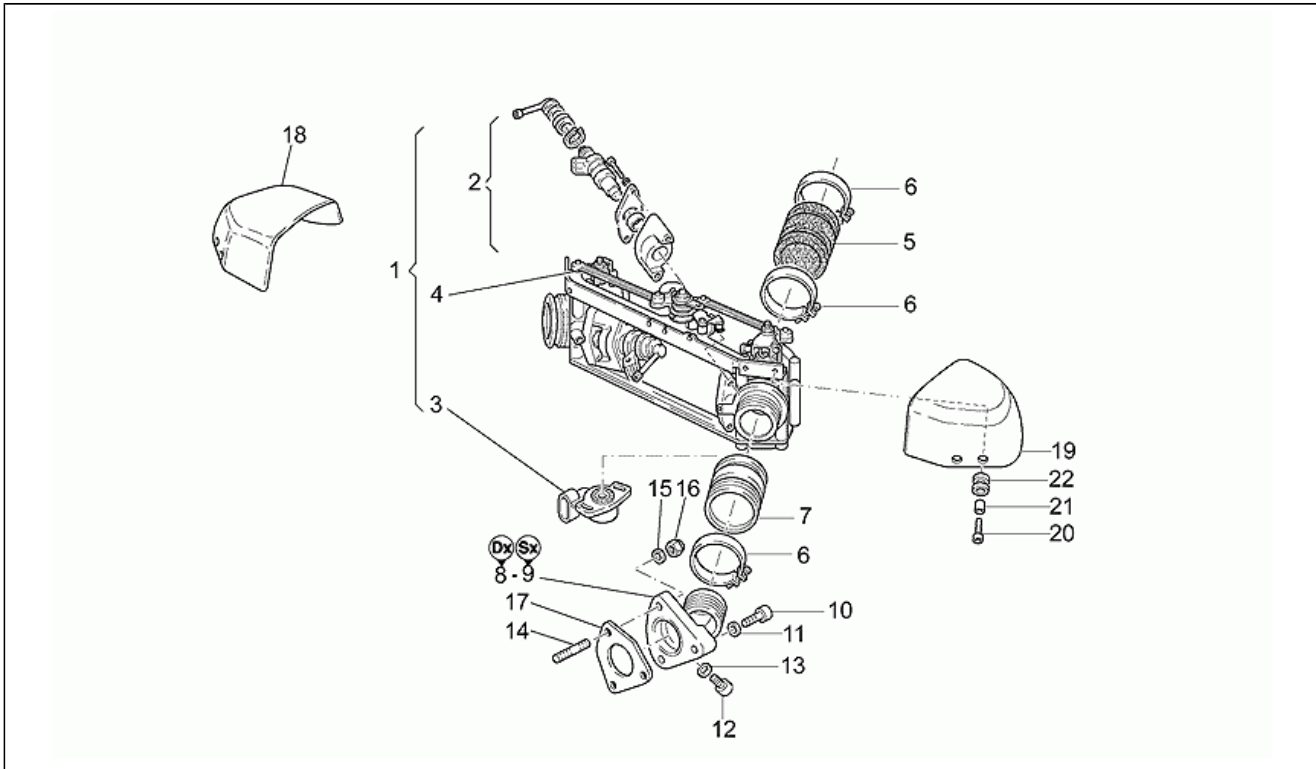
Pos.	Code	Description	Q.ty	Variants
28	GU95004206	Washer 6,15x11x0,8	18	
29	GU12003702	Oil unload plug	1	
30	GU95100709	Gasket 20,1x28x2	1	
31	GU30004910	Oil plug	1	
32	GU90706178	O-ring 17,86X2,62	1	
33	GU30999060	Gaskets set	1	
34	GU17999550	Engine oil seal kit	1	
35	GU03991010	Engine	1	
36	GU12011800	Gasket	1	
37	GU12011400	Complete flange	1	Technical Specifications: Tolerance standard[std]
37	GU12011401	Flange min.0,2 mm	1	Technical Specifications: Tolerance min.[M]
37	GU12011402	Flange min.0,4 mm	1	Technical Specifications: Tolerance min.[M]
37	GU12011403	Flange min.0,6 mm	1	Technical Specifications: Tolerance min.[M]
38	GU12011700	Pin	1	
39	GU90405367	Gasket ring	1	

Assembly	ENGINE
Code	34.40
Description	Starter motor cover
Revision	1



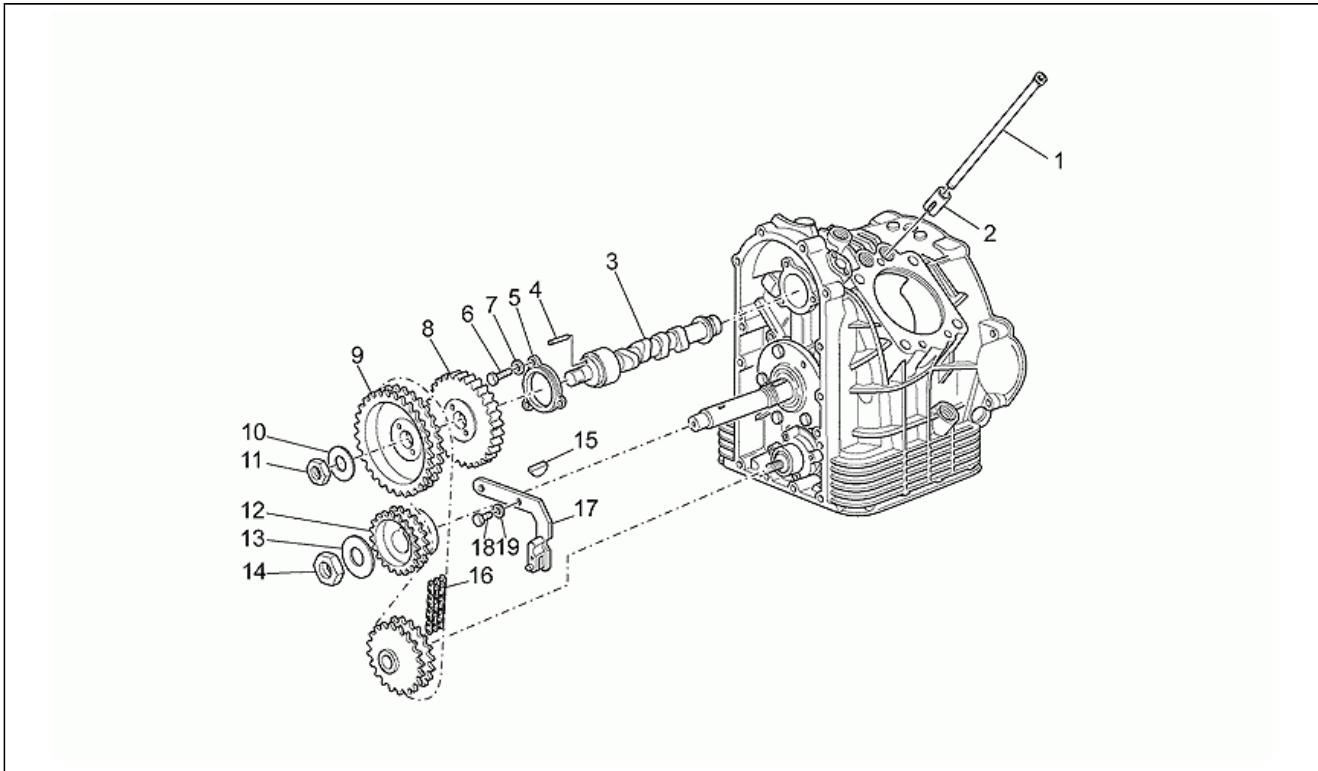
Pos.	Code	Description	Q.ty	Variants
1	GU03733300	Starter device cover	1	
2	GU01517700	Decal "Aquila"	1	
3	GU00823931080	Gasket PVC	1	
4	GU93180577	Rubber spacer	1	
5	GU92787205	Cap nut M5x0,8	2	
6	GU03436300	Plate	1	
7	GU03733000	Insulating spacer	1	
8	GU03733400	Hose clamp	1	
9	GU03733500	Screw M5x18	2	
10	GU03733200	Motor cover assy chr.plated	1	

Assembly	ENGINE
Code	34.41
Description	Throttle body
Revision	1



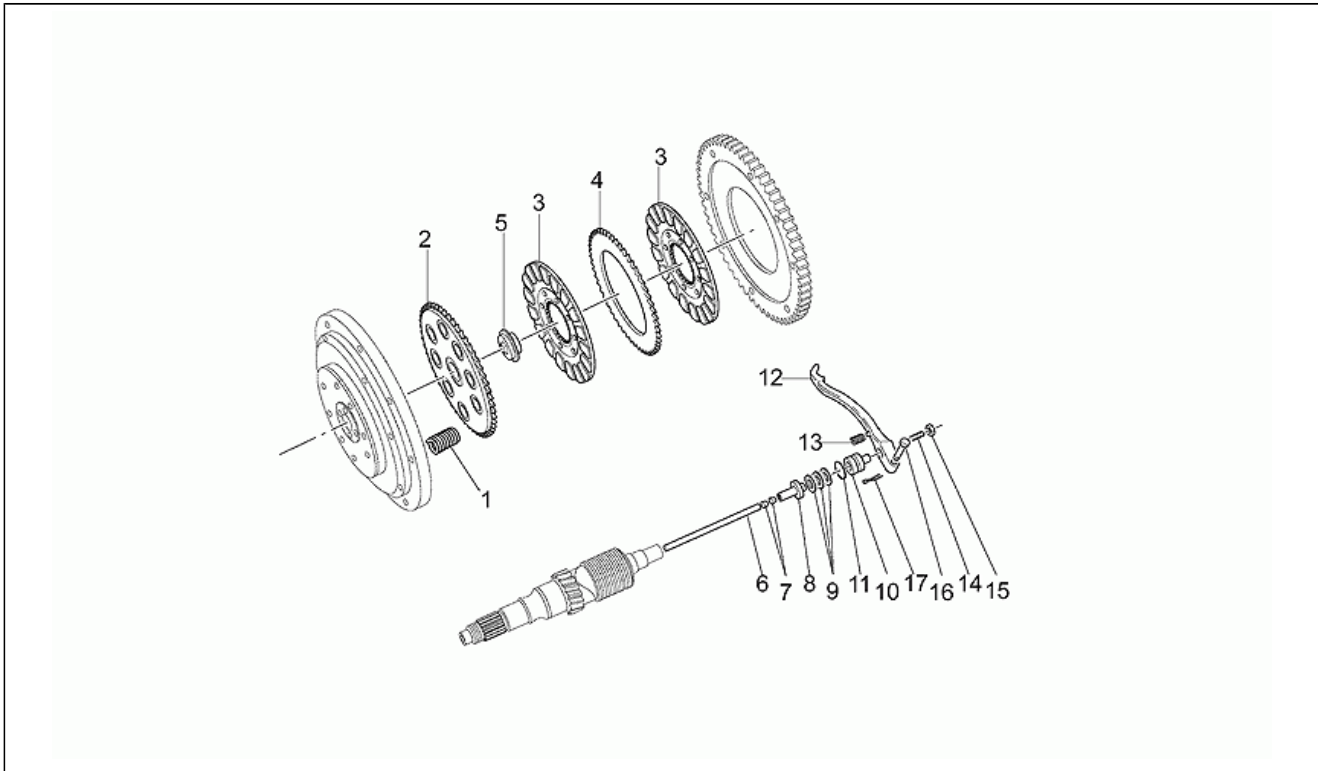
Pos.	Code	Description	Q.ty	Variants
1	GU03112560	Throttle assy	1	
2	GU01530504	Injector kit complete	2	
3	GU01530500	Potentiometer	1	
4	GU29530562	Tie rod	2	
5	GU30114470	Hose	2	
6	GU93305061	Hose clamp 61/65,5	8	
7	GU30114370	Hose	2	
8	GU30115070	RH manifold	1	
9	GU30115071	LH manifold	1	
10	GU98682325	Hex socket screw M6x25	2	
11	GU14217901	Washer 6,4x10x0,7	2	
12	GU98310609	Screw M6x10	2	
13	GU95100116	Washer 6,25x10x1,5	2	
14	GU96506039	Stud bolt	4	
15	GU95008206	Washer 6,15x11x0,8	4	
16	GU92781062	Nut	4	
17	GU28115560	Gasket	2	
18	GU03113360	RH cover chromium plated	1	
19	GU03113460	LH cover chromium plated	1	
20	GU97202112	Screw	4	
21	GU91180408	Spacer 4x6x8	4	
22	GU91551034	Rubber spacer	4	

Assembly	ENGINE
Code	34.42
Description	Timing system
Revision	1



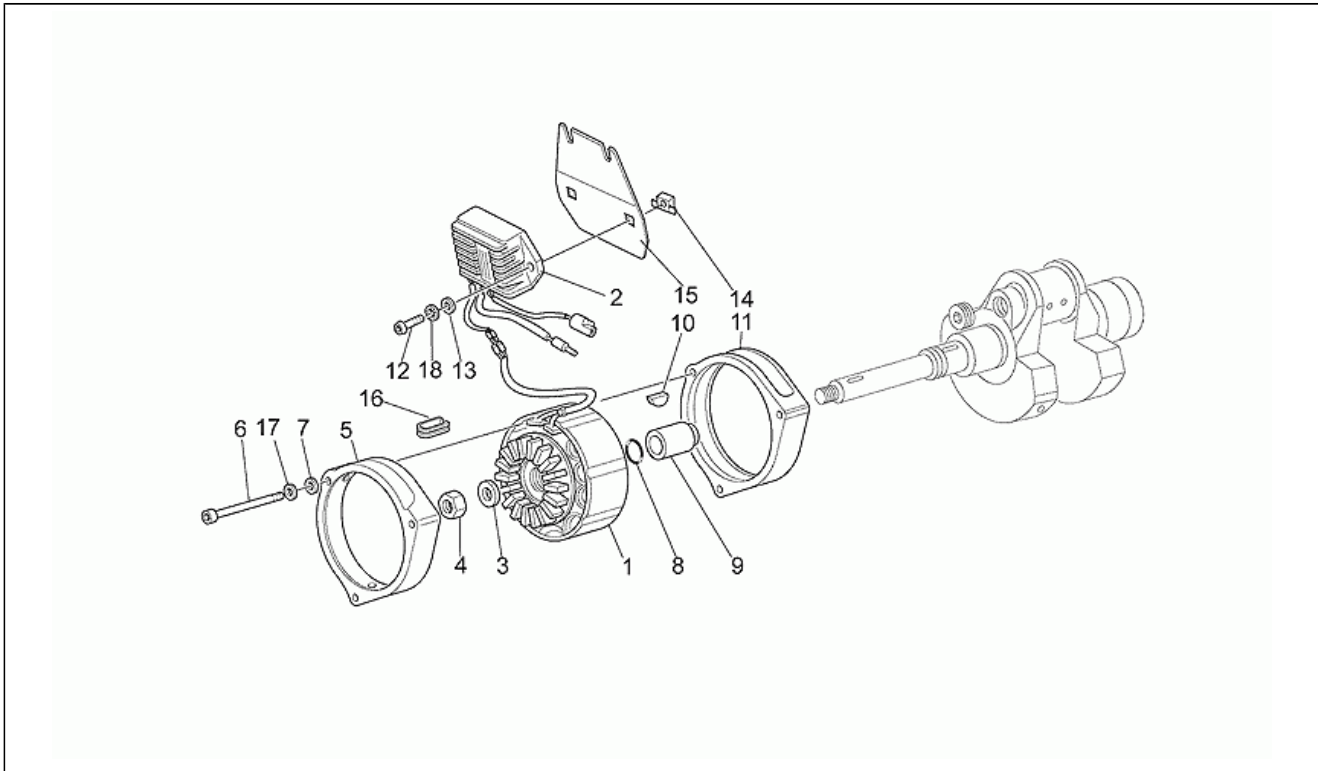
Pos.	Code	Description	Q.ty	Variants
1	GU37045006	Rocker arm rod	4	
2	GU17045860	Tappet	4	
3	GU29053351	Camshaft	1	
4	GU14234600	Pin	1	
5	GU01054000	Flange	1	
6	GU98084320	Hex screw M6x20	3	
7	GU95120065	Washer 6,5x11x2	3	
8	GU01051700	Wheel speed sensor, left front	1	
9	GU01054500	Timing system gear	1	
10	GU14433400	Spring washer 19x34x1,5	1	
11	GU92750180	Nut M18	1	
12	GU14072001	Pinion	1	
13	GU95100837	Washer 25,5x35x2	1	
14	GU92602525	Nut M25	1	
15	GU91702355	Transmission key	1	
16	GU28058060	Chain	1	
17	GU30057810	Chain tensioner	1	
18	GU98082435	Hex screw M8x35	2	
19	GU03270300	Washer 8,4x15	2	

Assembly	ENGINE
Code	34.43
Description	Clutch
Revision	1



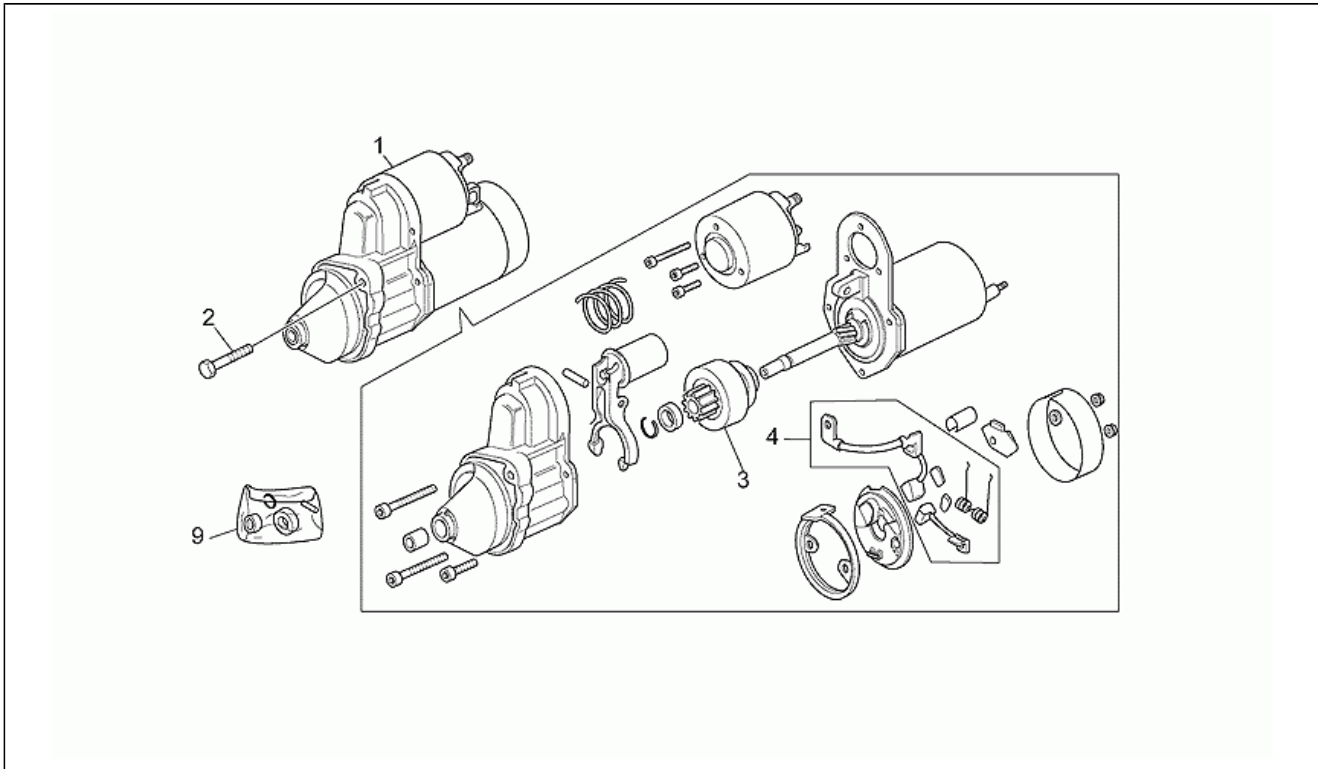
Pos.	Code	Description	Q.ty	Variants
1	GU13084100	Clutch spring	8	
2	GU12082901	Disc	1	
3	GU03084400	Clutch plate complete	2	
4	GU12082300	Intermediate plate	1	
5	GU12082800	Cup	1	
6	GU14085700	Rod	1	
7	GU14085900	Bush	2	
8	GU14086000	Inner body	1	
9	GU12087001	Thrust bearing	1	
10	GU14086100	Outer body	1	
11	GU90706170	O-ring 17,13x2,62	1	
12	GU14090202	Clutch release shaft	1	
13	GU94321105	Lever return spring	1	
14	GU14090400	Adjuster screw	1	
15	GU92602508	Nut M8X1	1	
16	GU95780271	Pin 7x39	1	
17	GU95500222	Split pin	1	

Assembly	ENGINE
Code	34.44
Description	Generator - Regulator
Revision	1



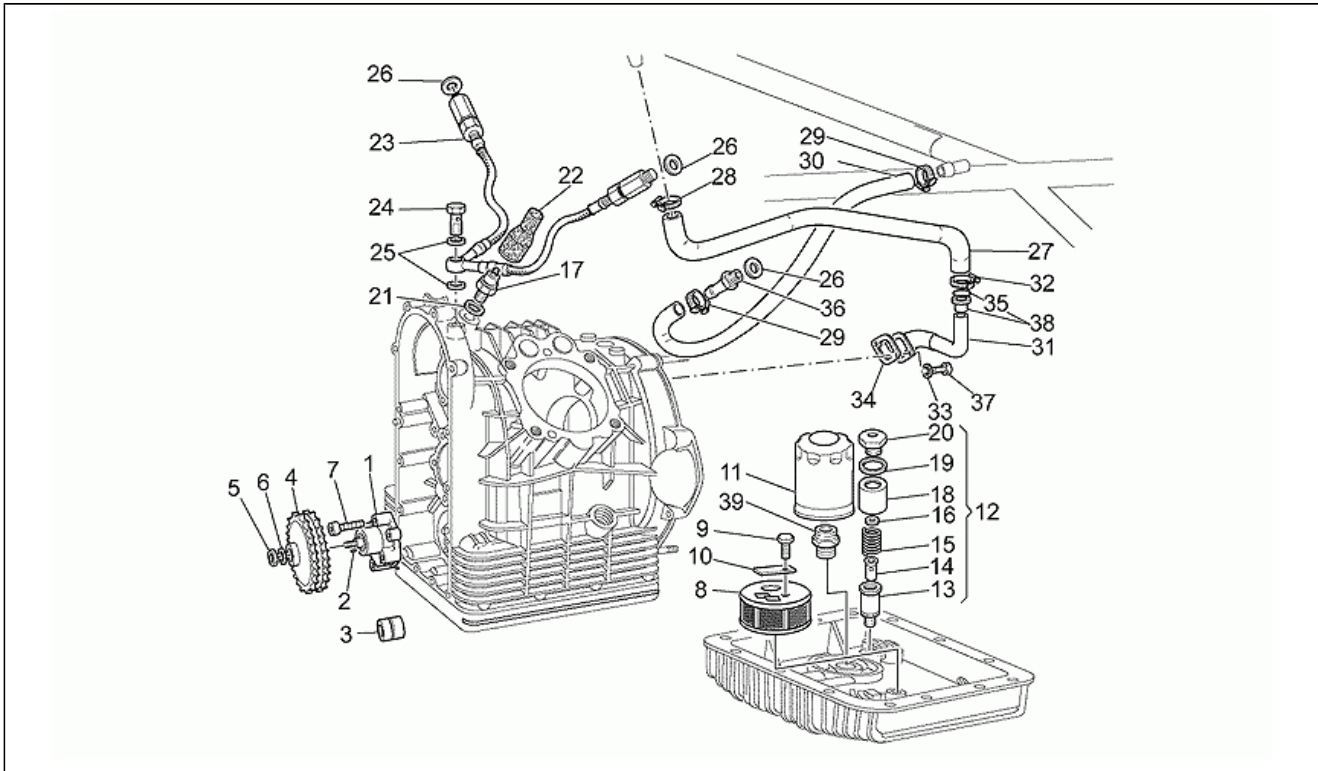
Pos.	Code	Description	Q.ty	Variants
1	GU37712405	Generator	1	
2	GU37703805	Voltage regulator	1	
3	GU30714201	Washer 16,25x24,5x5	1	
4	GU92606516	Nut M16	1	
5	GU29711460	Front calotte	1	
6	GU98620265	Screw	3	
7	GU29217960	Washer 5,9X3X0,8	3	
8	GU90706178	O-ring 17,86X2,62	1	
9	GU37712306	Spacer	1	
10	GU91600450	Transmission key	1	
11	GU29711960	Rear cap	1	
12	GU98682318	Hex socket screw M6x18	2	
13	GU95008306	Washer 6,4x12x1,2	2	
14	GU92660601	Captive nut	2	
15	GU29704060	Support plate	1	
16	GU19007700	Rubber spacer	1	
17	GU14615901	Washer 8,4X13X0,8	2	
18	GU14217901	Washer 6,4x10x0,7	2	

Assembly	ENGINE
Code	34.46
Description	Starter motor
Revision	1



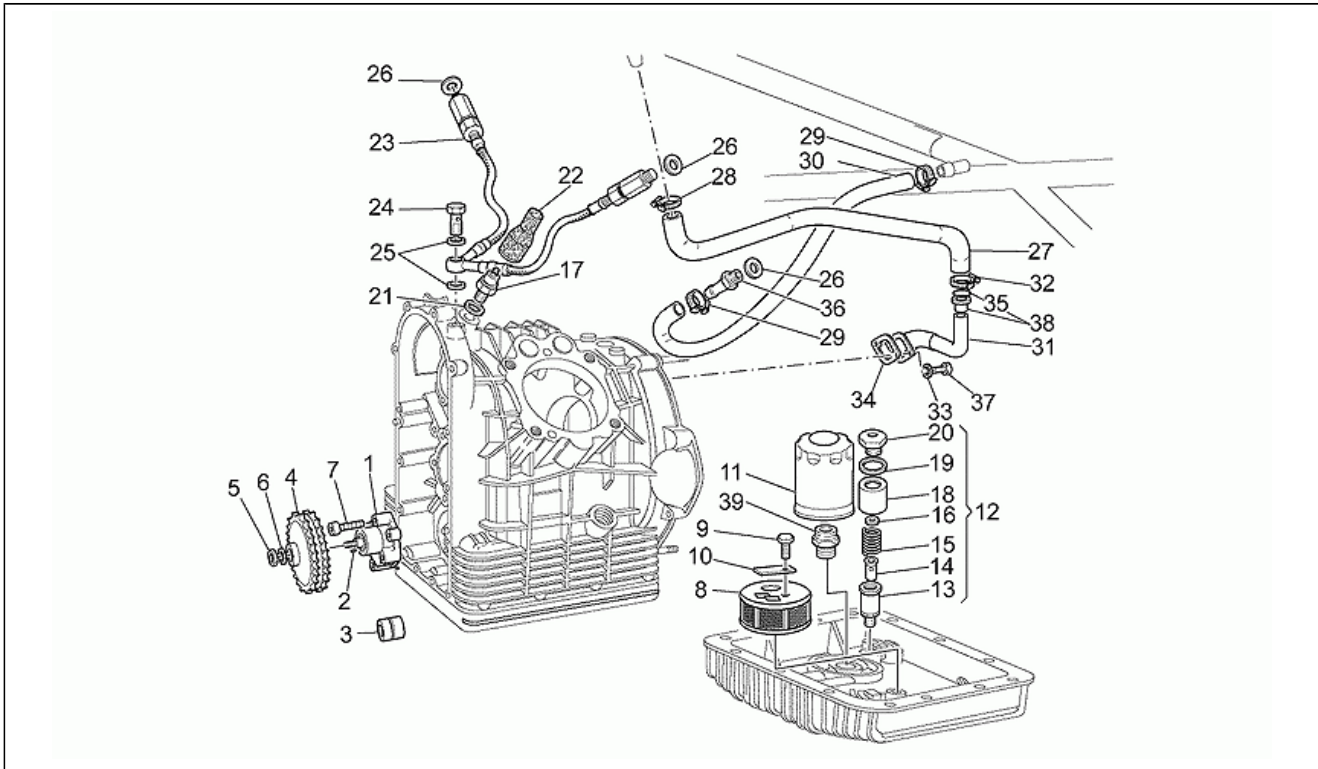
Pos.	Code	Description	Q.ty	Variants
1	GU30730711	Starter motor Valeo	1	
2	GU98082475	Screw M8X75	2	
3	GU30530510	Pinion assy	1	
4	GU30530511	Brush revision set	1	
9	GU30530512	Starter motor revision kit	1	

Assembly	ENGINE
Code	34.48
Description	Oil pump
Revision	1



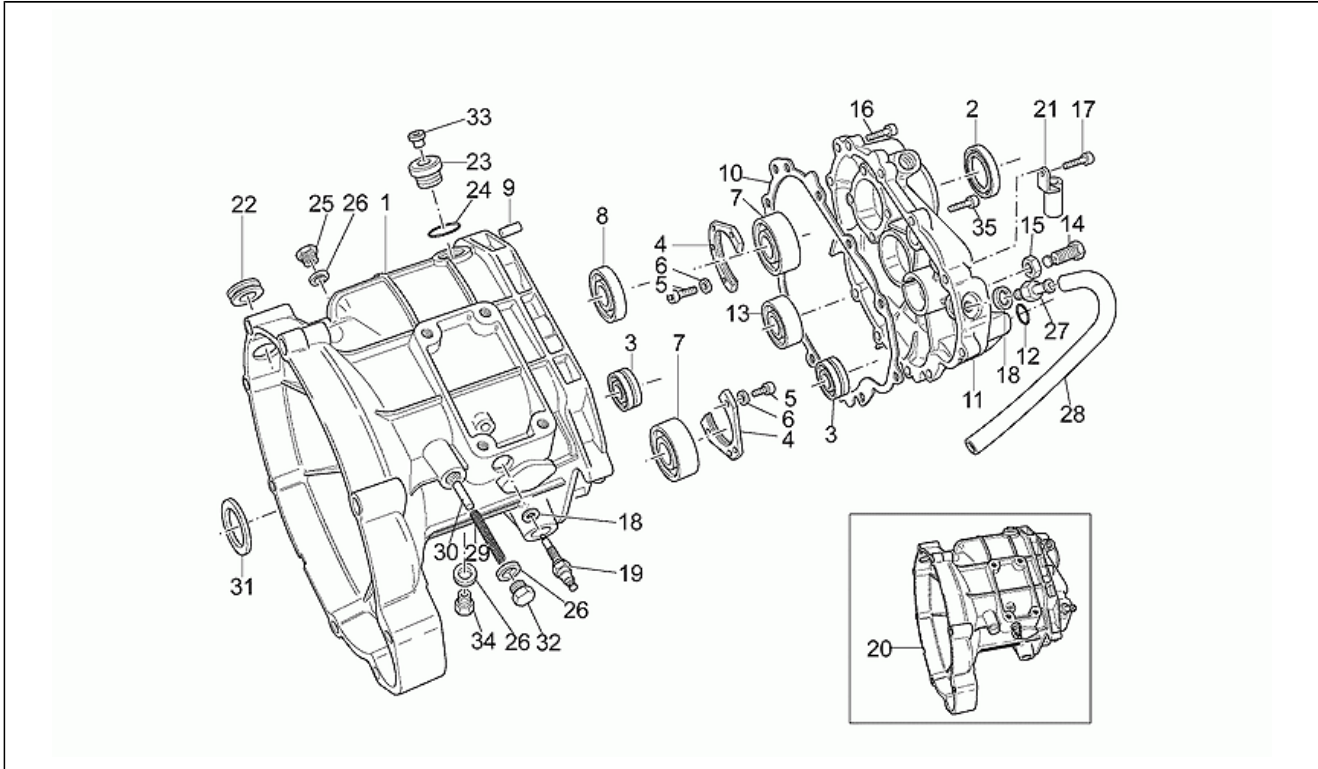
Pos.	Code	Description	Q.ty	Variants
1	GU30146400	Oil pump	1	
2	GU13148300	Transmission key	1	
3	GU92252210	Roller bearing 10x22x20	1	
4	GU30147700	Oil pump gear	1	
5	GU92606308	Nut M8	1	
6	GU95120085	Spring washer	1	
7	GU98682430	Hex socket screw M8x30	4	
8	GU14152200	Oil filter	1	
9	GU98084316	Hex screw M6X16	1	
10	GU95187006	Plate	1	
11	GU30153000	Oil filter	1	
12	GU03158200	Oil valve cpl.	1	
13	GU30158701	Valve body	1	
14	GU30150900	Piston	1	
15	GU94321079	Spring	1	
16	GU95008206	Washer 6,15x11x0,8	1	
17	GU17768750	Pressure sensor	1	
18	GU30158800	Cup	1	
19	GU18144350	Washer 18,25x24x1	1	
20	GU30159000	Plug	1	
21	GU12006400	Gasket 12,25	1	
22	GU12717600	Cap	1	
23	GU01153602	Pipe	1	
24	GU95990037	Screw	1	
25	GU12154200	Gasket 8,25x15x1	2	
26	GU25656102	Gasket	4	
27	GU28157450	Pipe	1	
28	GU28157850	Hose clamp	1	

Assembly	ENGINE
Code	34.48
Description	Oil pump
Revision	1



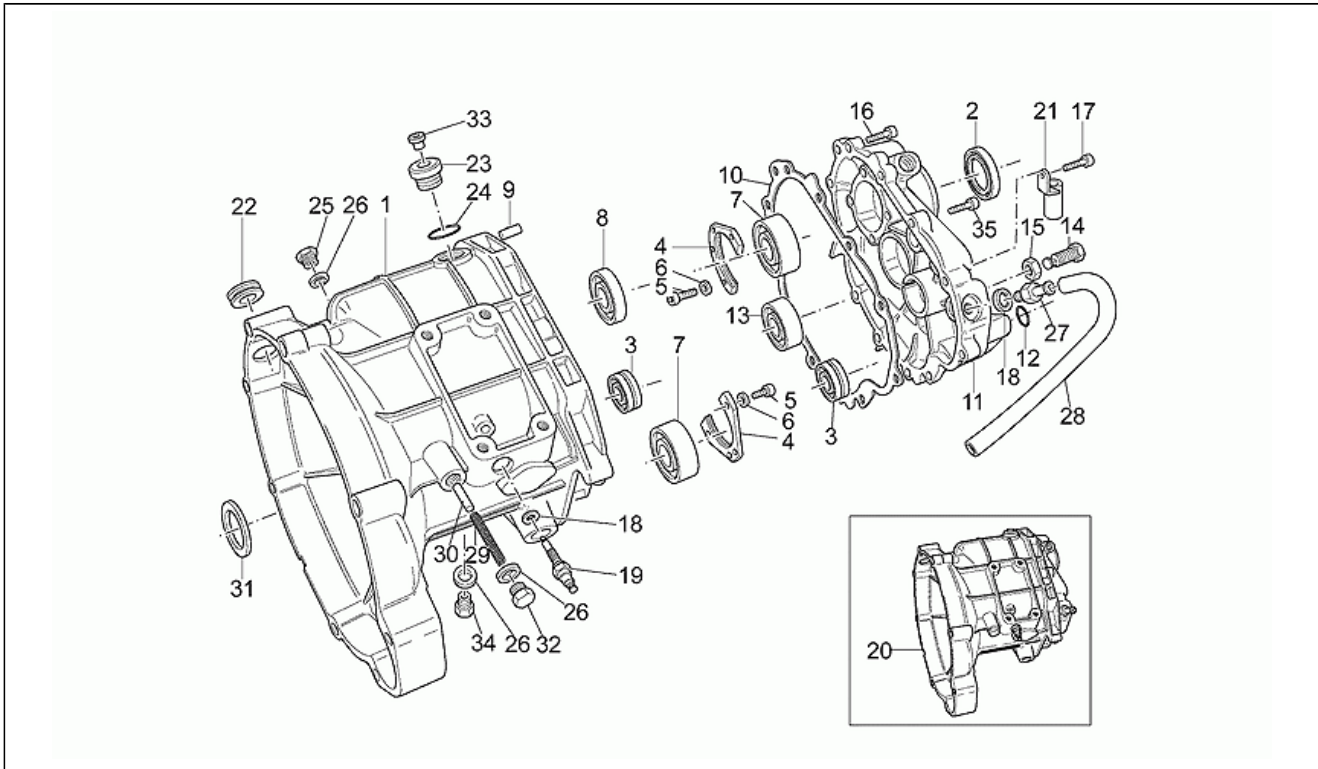
Pos.	Code	Description	Q.ty	Variants
29	GU93306017	Hose clamp	4	
30	GU00823956080	Rubber pipe 12,5X7,8 5/16"	1	
31	GU01007200	Breather pipe	1	
32	GU12157800	Hose clamp	1	
33	GU95120065	Washer 6,5x11x2	2	
34	GU12007600	Gasket	1	
35	GU65061300	Stop ring	1	
36	GU28153960	Union	2	
37	GU98084320	Hex screw M6x20	2	
38	GU28150560	Oil breather valve	1	
39	GU30003800	Oil filter union	1	

Assembly	ENGINE
Code	34.49
Description	Transmission cage
Revision	1



Pos.	Code	Description	Q.ty	Variants
1	GU03200260	Gearbox black	1	
2	GU90403547	Gasket ring 35x47x7	1	
3	GU92256218	Roller bearing 17x35x15	2	
4	GU14213803	Plate	2	
5	GU98682316	Hex socket screw M6x16	6	
6	GU14217901	Washer 6,4x10x0,7	6	
7	GU92218424	Ball bearing AF/AS 25x52	2	
8	GU92234717	Roller bearing AS 17x47x14	1	
9	GU95512081	Pin	2	
10	GU14201110	Gasket	1	
11	GU03200860	Case cover black	1	
12	GU90706140	O-ring 13,95x2,92	1	
13	GU92201417	Ball bearing AP 17x47x14	1	
14	GU14237800	Screw	1	
15	GU92606512	Low nut M12x1,25	1	
16	GU98682325	Hex socket screw M6x25	9	
17	GU98680335	Hex socket screw M6x35	1	
18	GU12154200	Gasket 8,25x15x1	1	
19	GU19207220	Sensor	1	
20	GU03991560	Complete gearbox black	1	
21	GU30424660	Support	1	
22	GU93180220	Plug	1	
23	GU12022600	Oil plug	1	
24	GU90706203	O-ring 20,24X2,62	1	
25	GU95980214	Oil level plug	1	
26	GU01528930	Gasket 10x18x1,5	3	
27	GU14204955	Oil breather valve	1	
28	GU00823956080	Rubber pipe 12,5X7,8 5/16"	1	

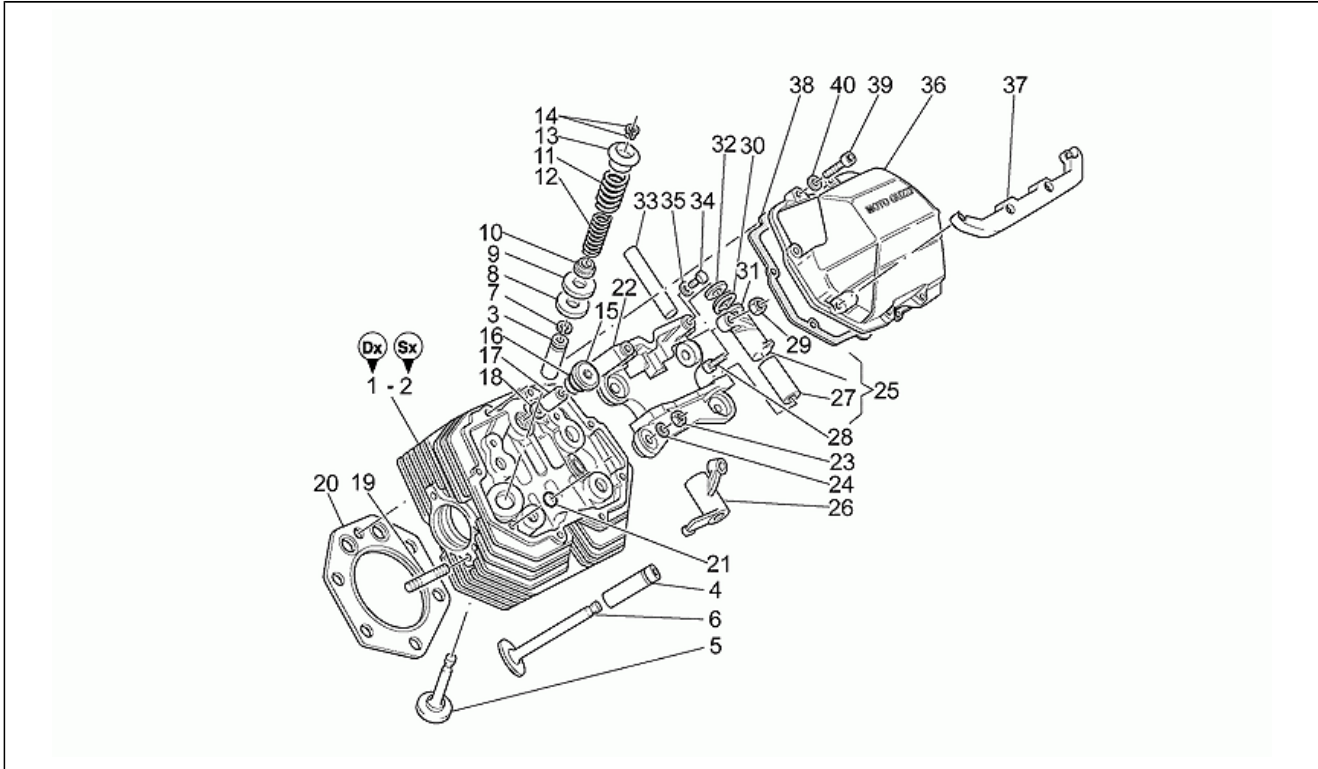
Assembly	ENGINE
Code	34.49
Description	Transmission cage
Revision	1



Pos.	Code	Description	Q.ty	Variants
29	GU94321067	Lever return spring	1	
30	GU28234700	Pawl	1	
31	GU90403548	Gasket ring 35x47x7/6,5	1	
32	GU95980610	Plug	1	
33	GU93180245	Plug	1	
34	GU31003766	Oil unload plug M10X1	1	
35	GU98882325	Low head socket screw M6x25 M6x25	1	

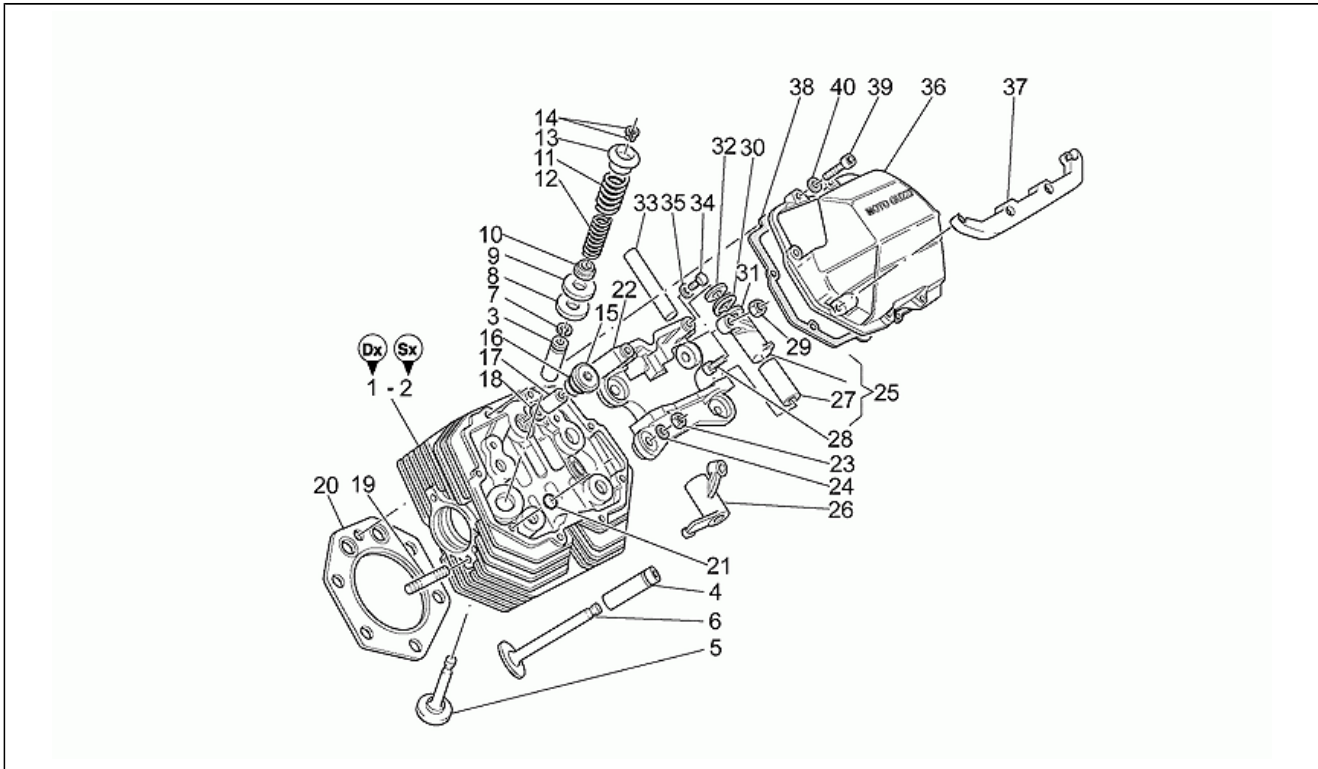


Assembly	ENGINE
Code	34.50
Description	Heads
Revision	1



Pos.	Code	Description	Q.ty	Variants
1	GU03022130	RH head assy w/h valve grey	1	
2	GU30022260	LH head assy without valve grey	1	
3	GU13036801	Exhaust valve guide	2	
4	GU14036860	Intake valve guide	2	
5	GU03036100	Exhaust valve	2	
6	GU03036000	Intake valve	2	
7	GU90353016	Snap ring	4	
8	GU13037200	Washer 14,2x31x1	4	
9	GU14037300	Washer 14,2x31x0,3	10	
10	GU13037000	Lower cup	4	
11	GU13037400	Outer spring	4	
12	GU13037600	Inner spring	4	
13	GU14038000	Upper cup	4	
14	GU12038100	Valve half-cone	8	
15	GU12022600	Oil plug	2	
16	GU90706203	O-ring 20,24X2,62	2	
17	GU13021900	Column nut	2	
18	GU95129180	Washer 10,5X18X0,8	2	
19	GU96508040	Stud bolt	4	
20	GU30022060	Gasket	2	
21	GU90706094	O-ring 9x2	8	
22	GU14034865	Rocker arm support	2	
23	GU92603010	Nut M10X1,5	10	
24	GU14018400	Washer 10,5X21X1	10	
25	GU14030201	RH rocker arm assy	2	
26	GU14030401	LH rocker arm assy	2	
27	GU91111511	Bush 15x18x43	4	
28	GU17034050	Adjuster screw	4	

Assembly	ENGINE
Code	34.50
Description	Heads
Revision	1



Pos.	Code	Description	Q.ty	Variants
29	GU10034100	Nut	4	
30	GU94322215	Spring	4	
31	GU90118152	Washer 15,2x26x1	8	
32	GU10032700	Washer 15,2x26x0,5	4	
33	GU12031800	Rocker shaft	4	
34	GU98084316	Hex screw M6X16	4	
35	GU95120065	Washer 6,5x11x2	4	
36	GU03023530	RH/LH head cover polished	2	
37	GU03941000	Spark plug cover polished	2	
38	GU14023760	Cover gasket	2	
39	GU98692325	Hex socket screw M6x25	16	
40	GU95005306	Washer 6,4x13x1,5	16	